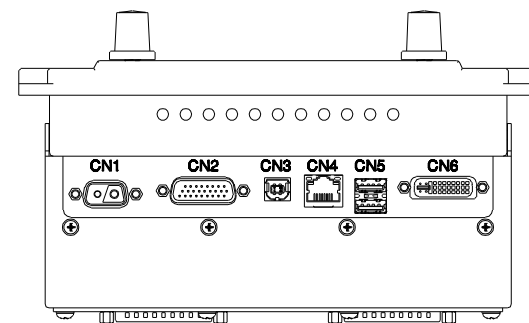
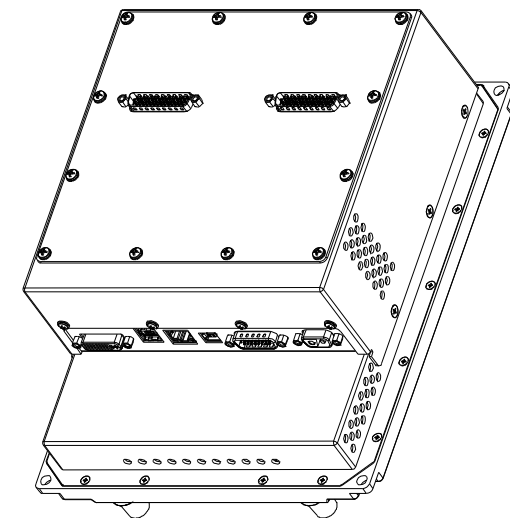
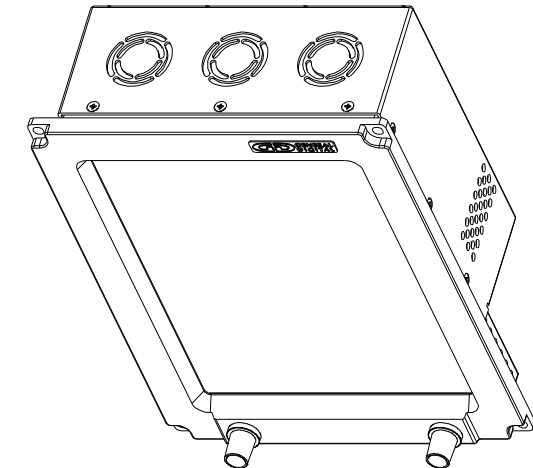
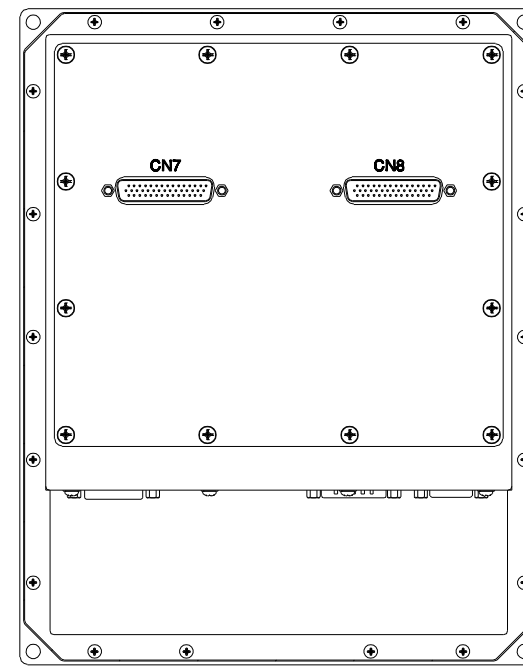
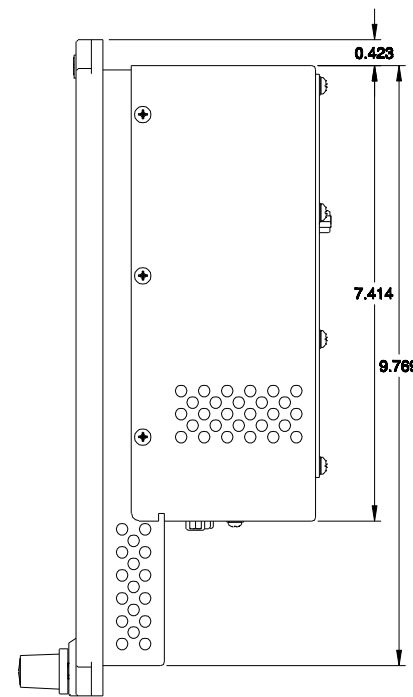
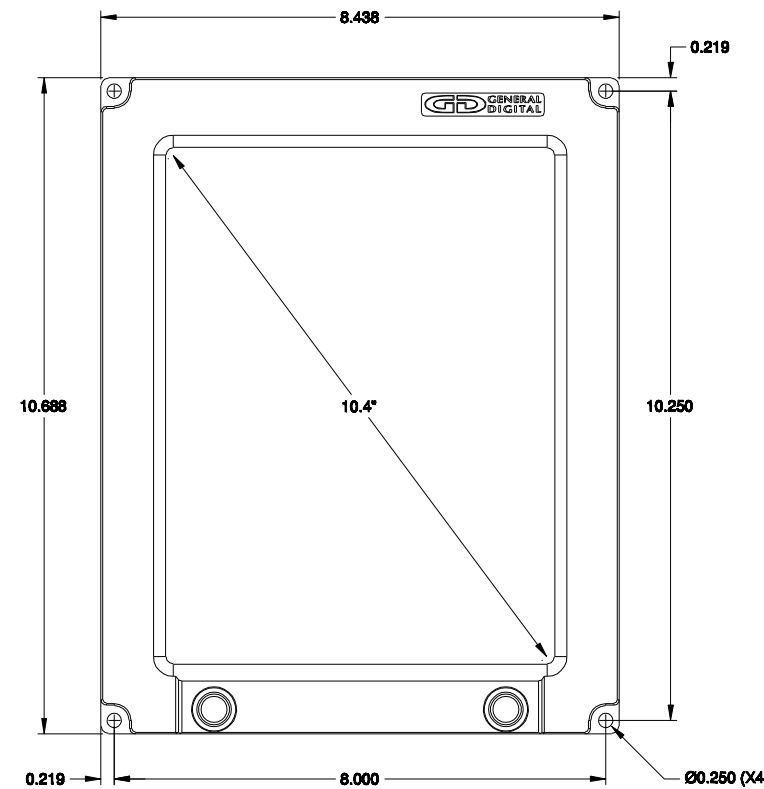
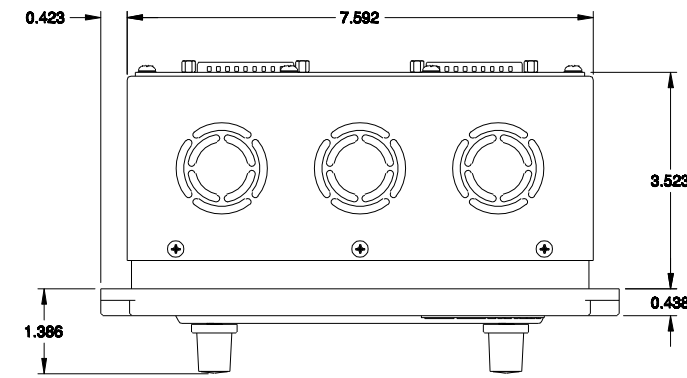


# VueSim

90-7104-001



THIS DOCUMENT CONTAINS PROPRIETARY INFORMATION OF GENERAL DIGITAL AND IS NOT TO BE DISCLOSED, REPRODUCED OR PUBLISHED WITHOUT WRITTEN CONSENT FROM GENERAL DIGITAL. THIS DOCUMENT MUST BE RENDERED ILLEGIBLE WHEN BEING DISCARDED. © COPYRIGHT 2015. ALL RIGHTS RESERVED.

UNLESS OTHERWISE SPECIFIED DIMENSIONS ARE IN INCHES  
 TOLERANCES ARE:  
 FRACTIONS DECIMALS ANGLES  
 ±1/32 .X ±.050 ±0° 30'  
 .XX ±.031  
 .XXX±.020

CONNECTOR CHART		
DESIGNATION	FUNCTION	TYPE
CN1	DC POWER INPUT	DE-2W2-P
CN2	REMOTE INTERFACE	HDD-26-P
CN3	FACTORY PROGRAMMING PORT	USB TYPE B
CN4	10/100 ETHERNET	RJ-45
CN5	DUAL USB	USB TYPE A
CN6	DVI-D OUTPUT	DVI-D
CN7	ARINC 429 - RECEIVE ONLY	HDD-44-P
CN8	ARINC 429 - TRANSMIT/RECEIVE	HDD-44-P

MECHANICAL OUTLINE ONLY. SPECIFICATIONS SUBJECT TO CHANGE WITHOUT NOTICE. U.S. ALL DIMENSIONS ARE IN INCHES.	
APPROVALS	DATE
DRAWN C.P.	09-Sep-15
CHECKED T.R.	09-Sep-15
APPROVED B.G.	09-Sep-15
<b>DO NOT SCALE DRAWING</b>	

**GD GENERAL DIGITAL**  
*The Innovators of Flat Panel Technology*  
 8 Nutmeg Road South, South Windsor, CT 06074  
 (860) 282-2900 www.GeneralDigital.com

<b>VueSim MONITOR</b>		
<b>10.4" FLAT PANEL MONITOR</b>		
<b>B</b>	CAGE CODE 1JA77	DWG. NO. 7104-001-97
		REV -

REV	DATE	ECN	DESCRIPTION	BY