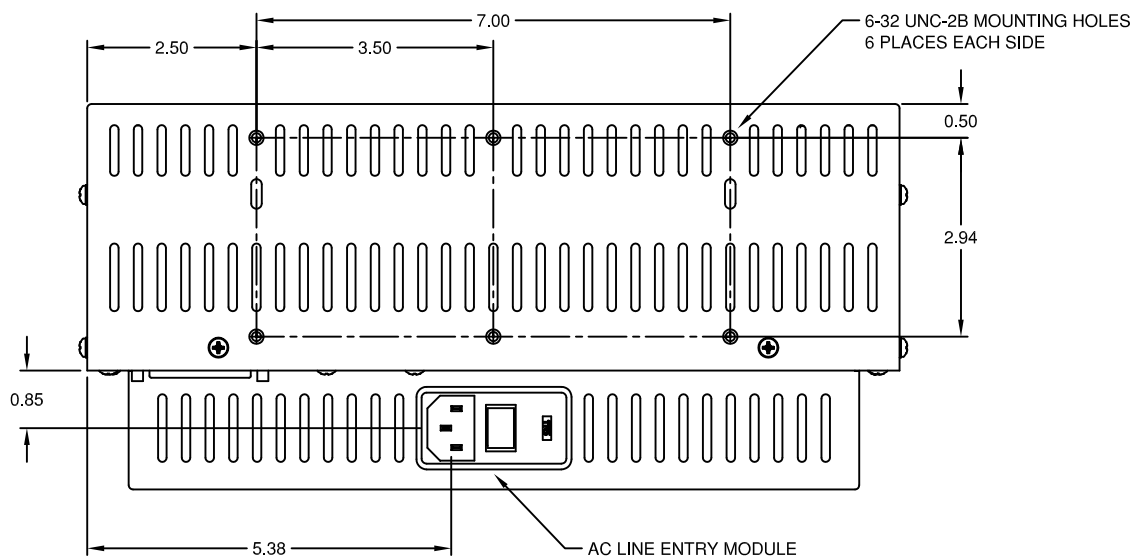
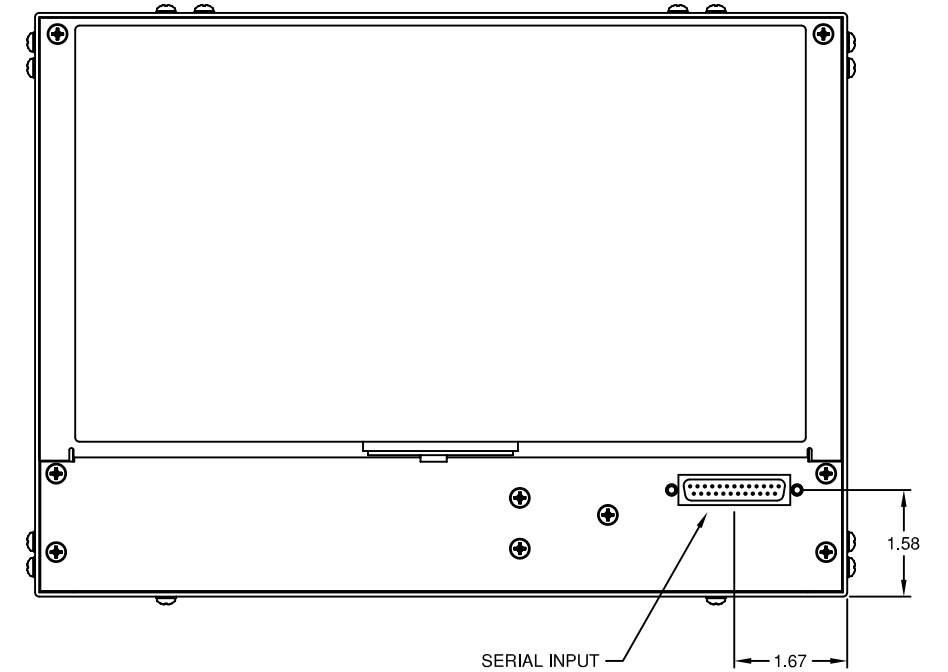
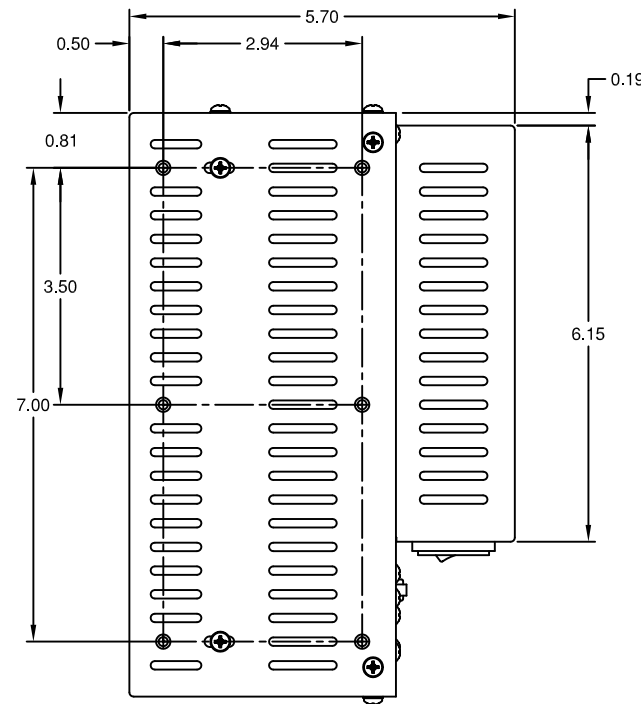
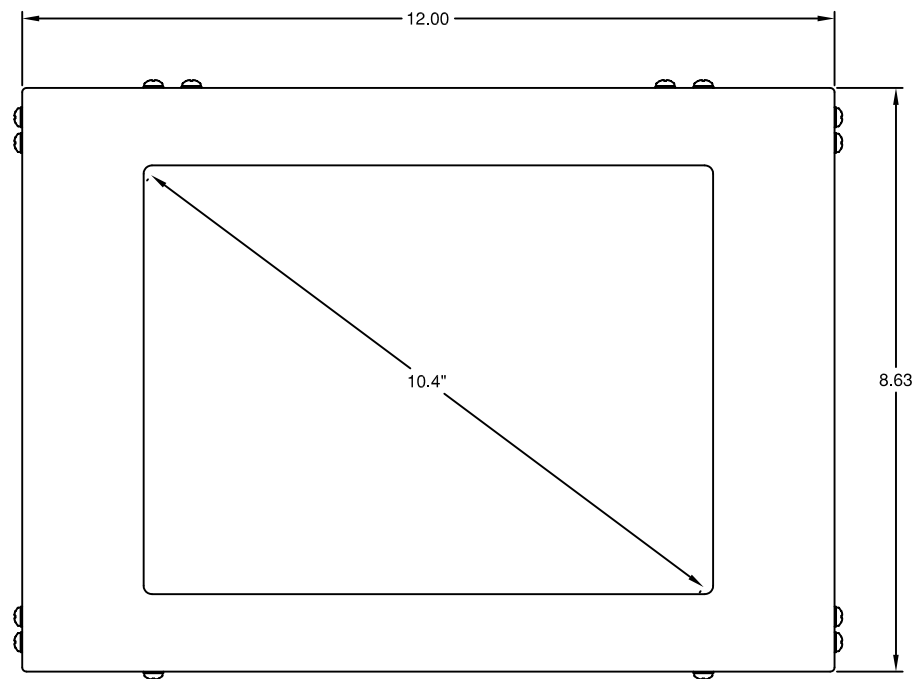
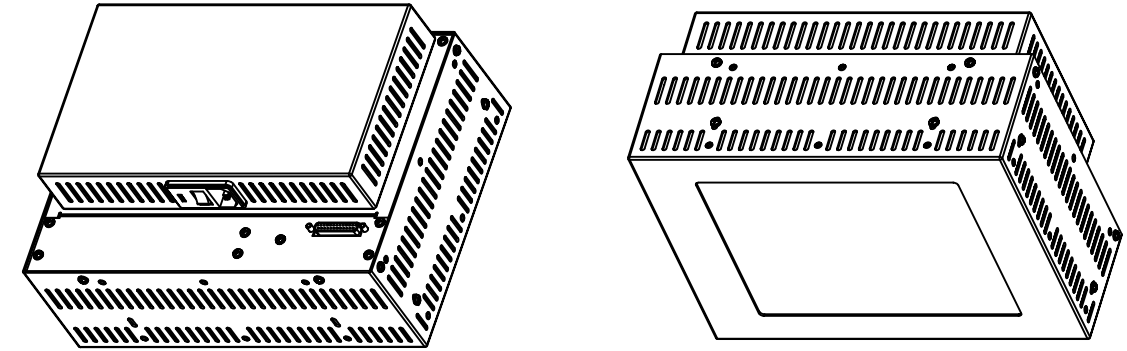
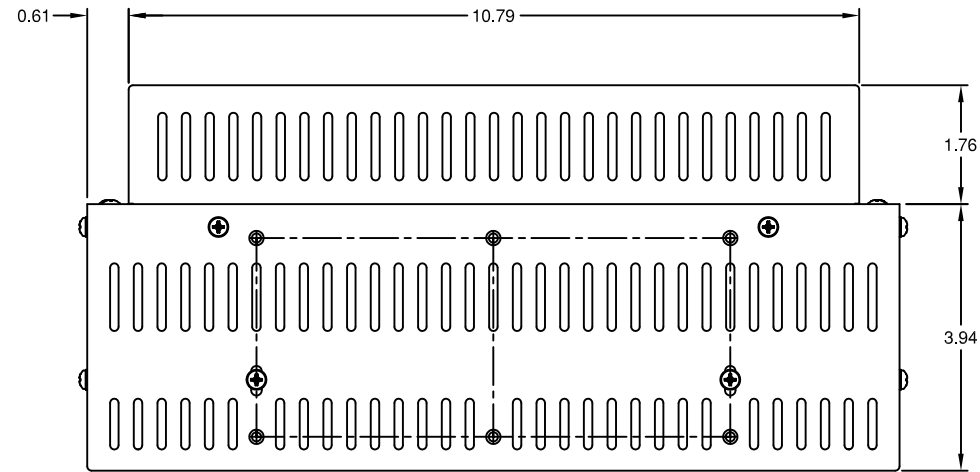


THIS DOCUMENT CONTAINS PROPRIETARY INFORMATION OF GENERAL DIGITAL AND IS NOT TO BE DISCLOSED, REPRODUCED OR PUBLISHED WITHOUT WRITTEN CONSENT FROM GENERAL DIGITAL. THIS DOCUMENT MUST BE RENDERED ILLEGIBLE WHEN BEING DISCARDED. © COPYRIGHT 2003. ALL RIGHTS RESERVED.

# VuePoint III



MECHANICAL OUTLINE ONLY  
SPECIFICATIONS SUBJECT TO  
CHANGE WITHOUT NOTICE

APPROVALS	DATE
DRAWN C.P.	30-Sep-03
CHECKED T.R.	30-Sep-03
APPROVED B.G.	30-Sep-03

DO NOT SCALE DRAWING

**GENERAL DIGITAL**  
The Innovators of Flat Panel Displays and Systems  
8 Nutmeg Road South, South Windsor, CT. 06074  
(860) 282-2900 www.GenDig.com

VuePoint III  
10.4" VGA FLAT PANEL MONITOR

B	CAGE CODE	DWG. NO.	REV
	1JA77	03-15	-