

(X) OPTION	UNIT DESCRIPTION
-	TWOVIEW
D	TWOVIEW DAYLIGHT READABLE
S	TWOVIEW SOLAR
SN	TWOVIEW 1U SOLAR/NVIS

(X)TV-17B-cccc-ddd-ee-10-gg-IP29-000

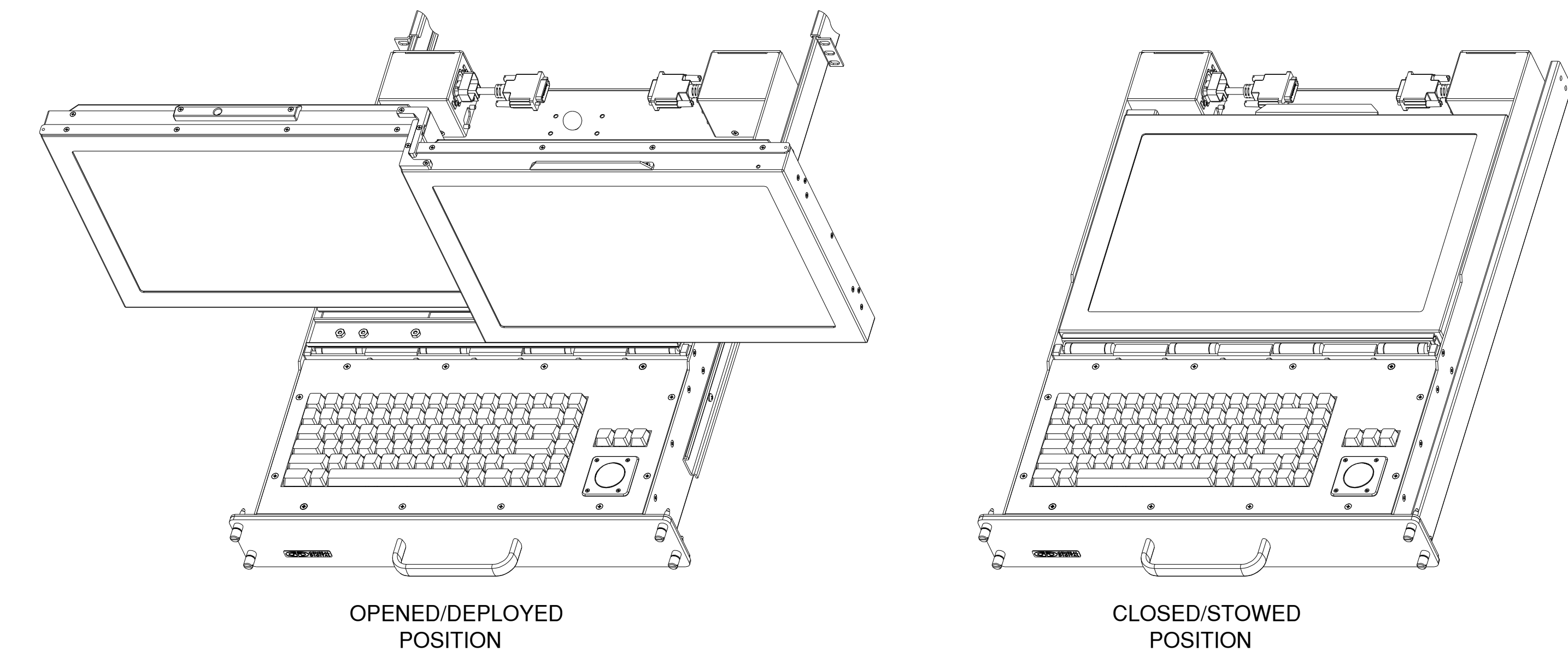
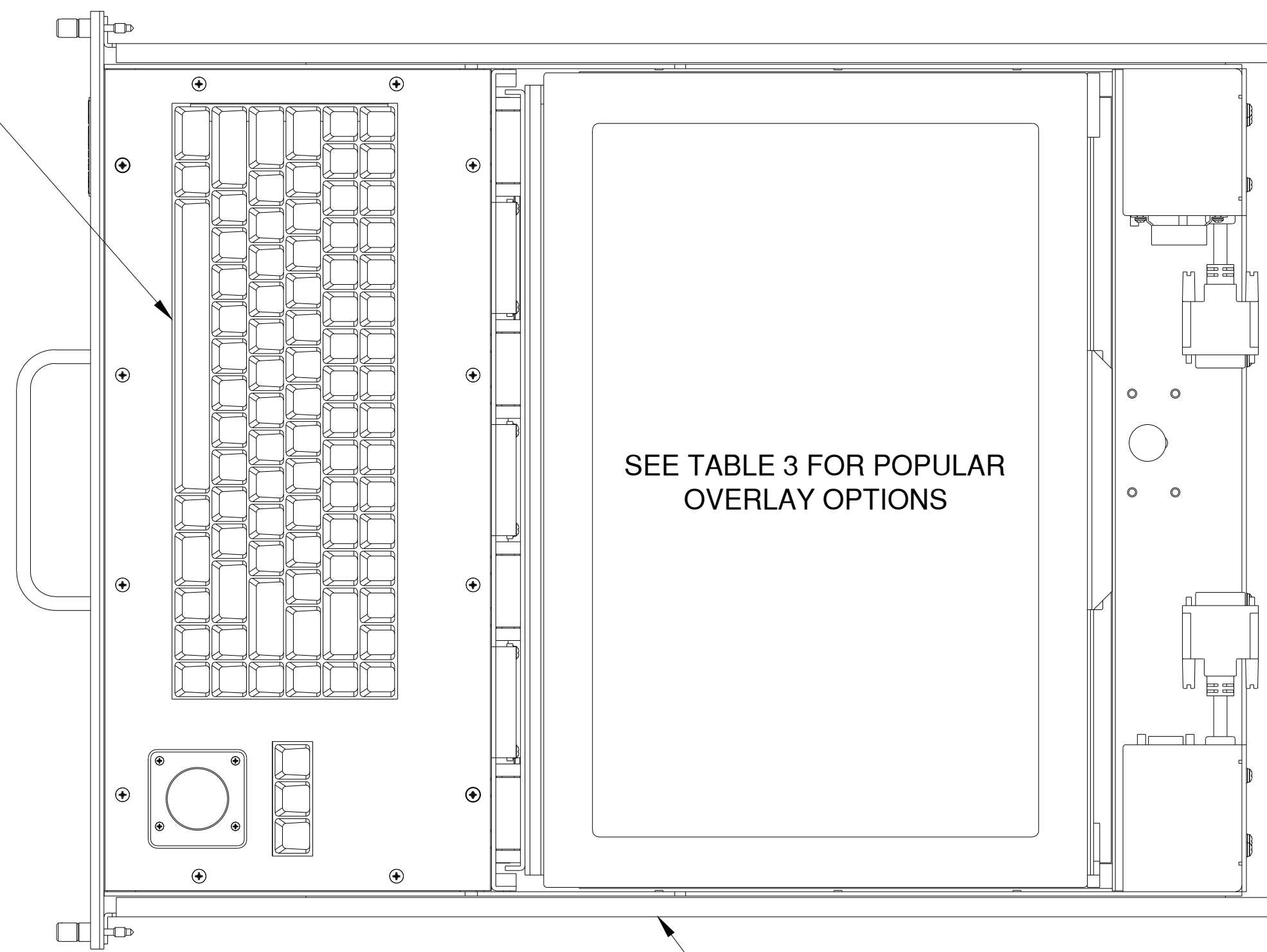
TABLE 1: POPULAR KEYBOARD CONFIGURATIONS

(ee) OPTION	KEYBOARD DESCRIPTION
51	82 KEYS, PS/2, INDUSTRIAL, WHITE KEYCAPS, 1 3/8" TRACKBALL
64	82 KEYS, IBM [PC] USB, INDUSTRIAL, BLACK KEYCAPS, 1 3/8" TRACKBALL
55	82 KEYS, PS/2, MILITARY, BLACK KEYCAPS, RED BACKLIGHT, 1 3/8" TRACKBALL
58	82 KEYS, IBM [PC] USB, MILITARY, BLACK KEYCAPS, RED BACKLIGHT, 1 3/8" TRACKBALL

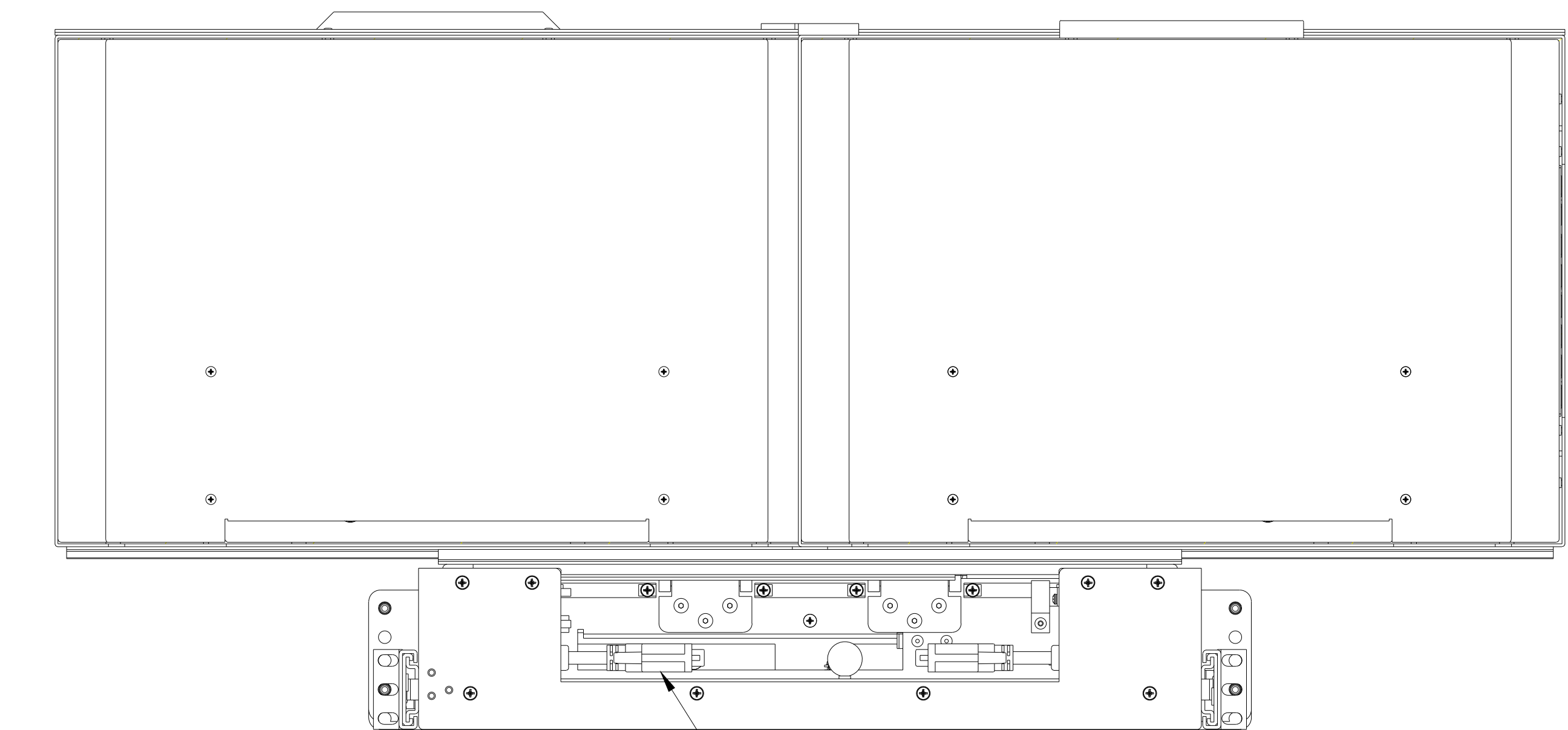
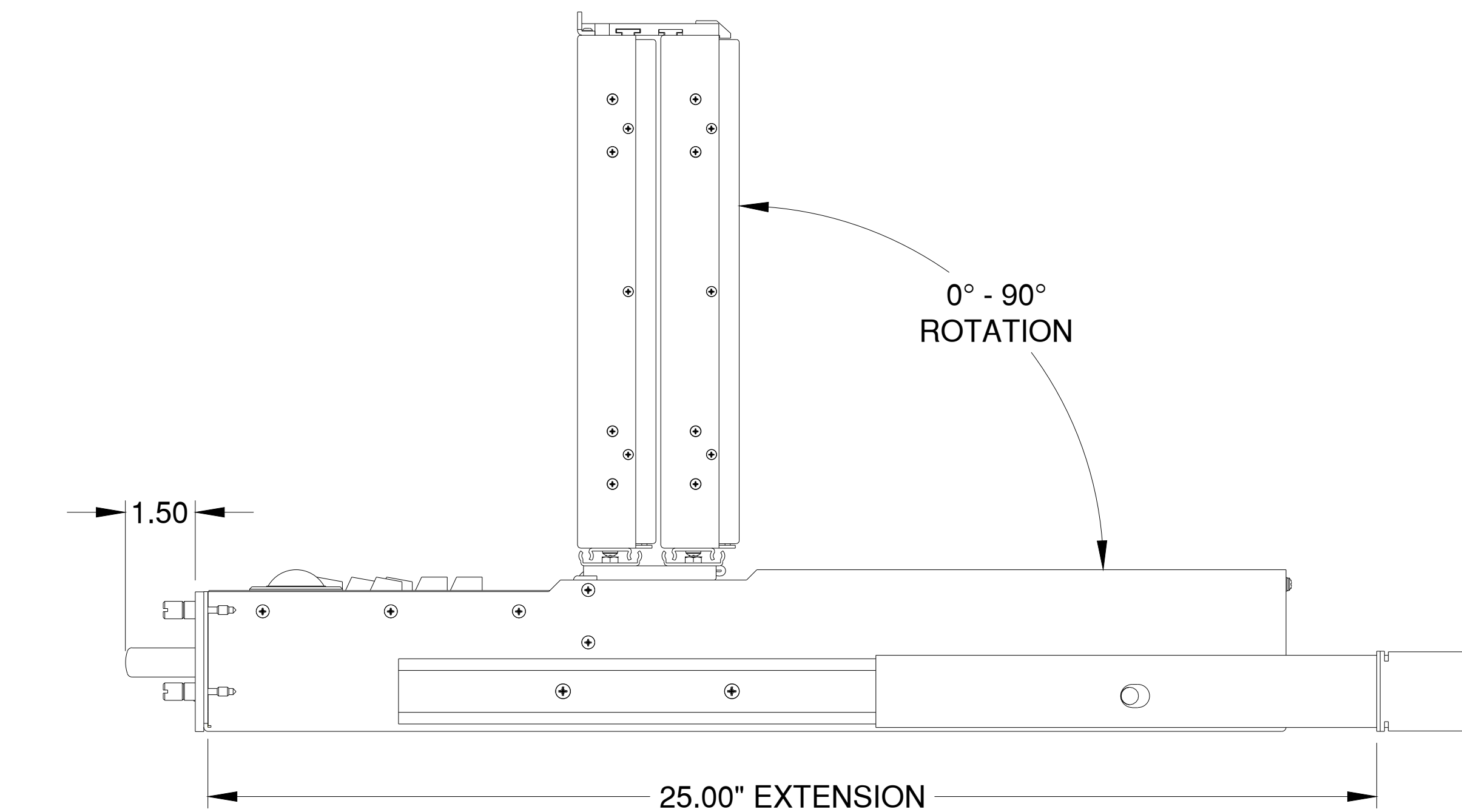
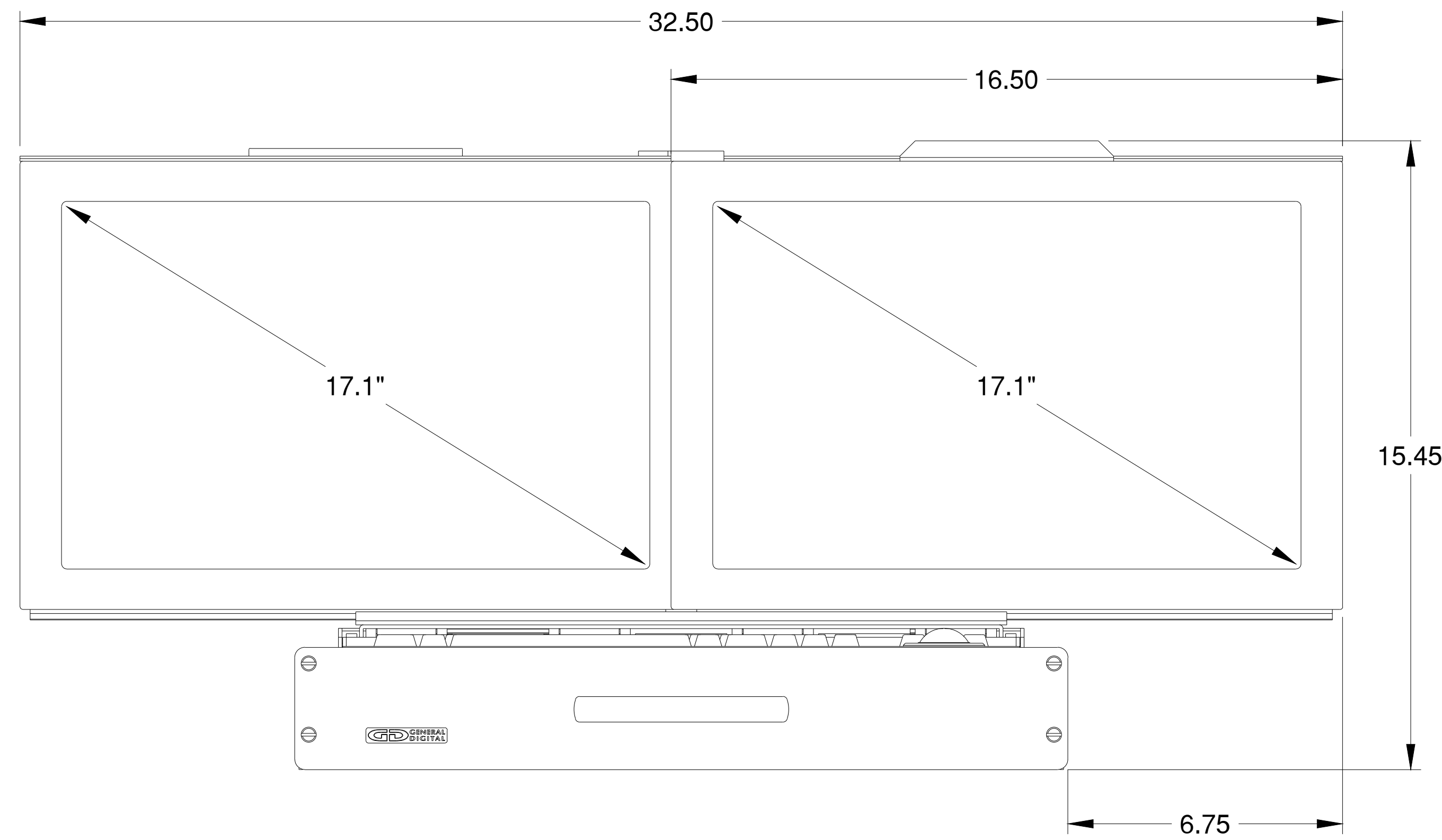
TABLE 3: OVERLAY OPTIONS

(gg) OPTION	DESCRIPTION
02	CLEAR SODA-LIME FLOAT GLASS, ANTI GLARE TWO SIDES
04	CLEAR SODA-LIME FLOAT GLASS, ANTIREFLECTIVE TWO SIDES

SEE TABLE 1 FOR POPULAR KEYBOARD (ee) CONFIGURATIONS



GENERAL DEVICES C-300-S SERIES SLIDES



SEE TABLE 2 FOR VIDEO CONTROLLER (ddd) OPTIONS

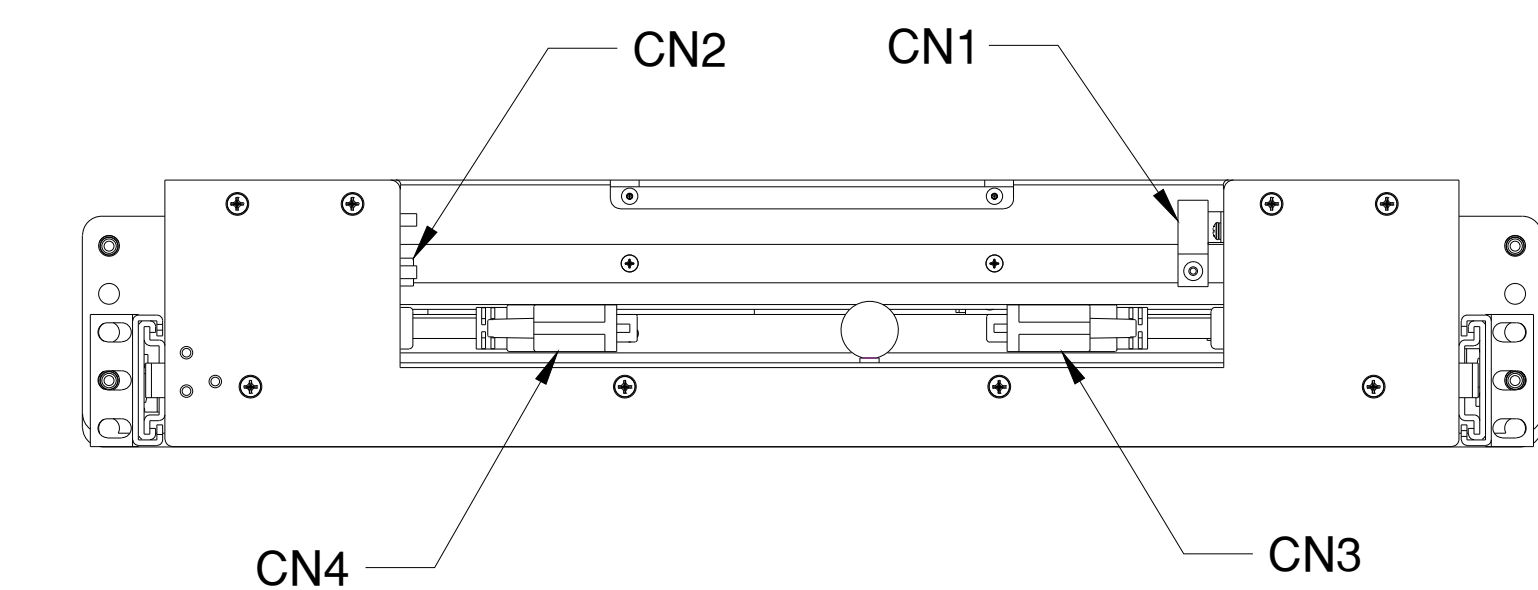
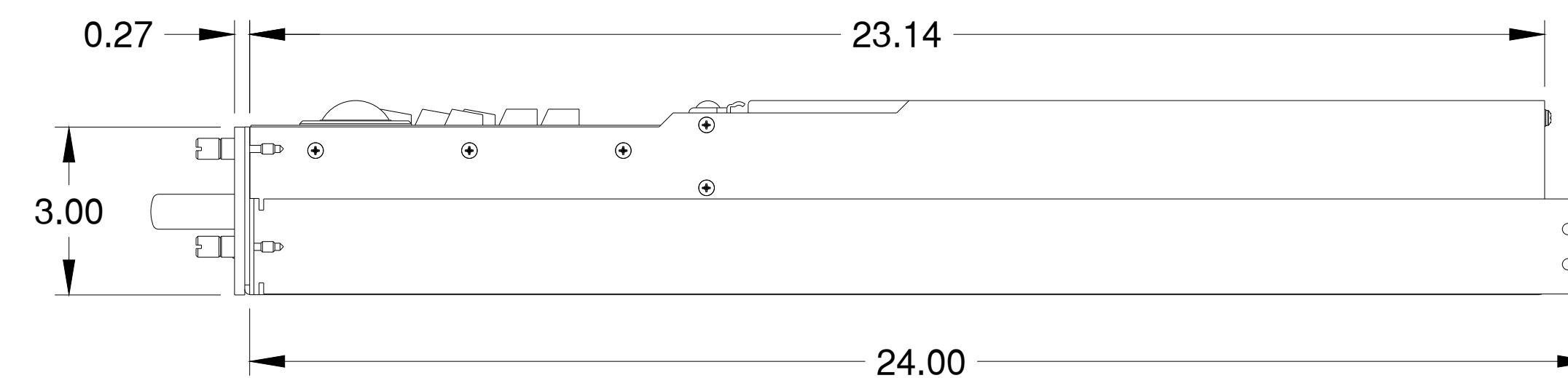
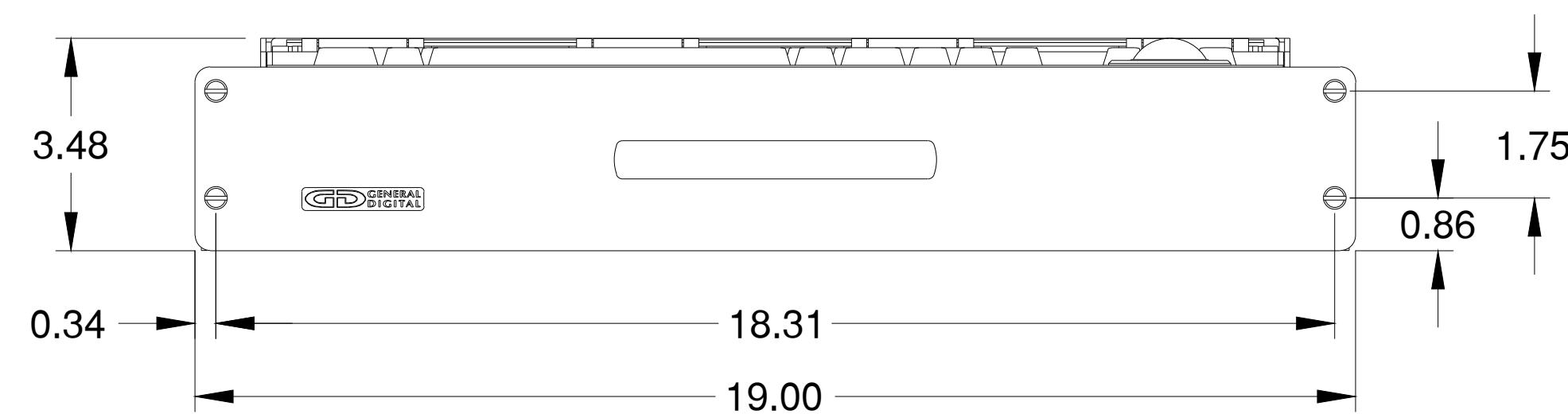


TABLE 2: VIDEO CONTROLLER CONFIGURATIONS

(ddd) OPTION	RESOLUTION	INPUT SIGNALS	EDGE CONNECTORS
107	1920 x 1200 (75 Hz)	VGA, DVI-D, COMPOSITE	VGA, DVI-D, COMPOSITE
115	1920 x 1200 (60 Hz)	VGA, DVI-D, NTSC	VGA, DVI-D, NTSC

THIS DOCUMENT CONTAINS PROPRIETARY INFORMATION OF GENERAL DIGITAL AND IS NOT TO BE DISCLOSED, REPRODUCED OR PUBLISHED WITHOUT WRITTEN CONSENT FROM GENERAL DIGITAL. THIS DOCUMENT MUST BE RENDERED ILLEGIBLE WHEN BEING DISCARDED. © COPYRIGHT 2012. ALL RIGHTS RESERVED.

UNLESS OTHERWISE SPECIFIED DIMENSIONS ARE IN INCHES
TOLERANCES ARE:
FRACTIONS DECIMALS ANGLES
±1/32 .X ±.050 ±0° 30'
.XX ±.031
.XXX±.020

CONNECTOR CHART

DESIGNATION	FUNCTION	TYPE
CN1	AC INPUT (WITH CORD LOCK)	DE-2W2-P
CN2	KEYBOARD/TRACKBALL	DE-9-S
CN3, CN4	DVI-I INPUT	DVI-I

MECHANICAL OUTLINE ONLY. SPECIFICATIONS SUBJECT TO CHANGE WITHOUT NOTICE. U.O.S. ALL DIMENSIONS ARE IN INCHES.

APPROVALS		DATE
DRAWN	G.L.	13-Oct-14
CHECKED	T.R.	
APPROVED	B.G.	



The Innovators of Flat Panel Technology
8 Nutmeg Road South, South Windsor, CT 06074
(860) 282-2900 www.GeneralDigital.com

TWOVIEW
17.1" WXGA+ MONITOR/KEYBOARD

REV	DATE	ECN	DESCRIPTION	BY

**DIFFERENT CONNECTOR PANEL CONFIGURATIONS AVAILABLE.		DO NOT SCALE DRAWING		B	CAGE CODE 1JA77	DWG. NO. 14-107	REV -
---	--	----------------------	--	---	--------------------	--------------------	----------