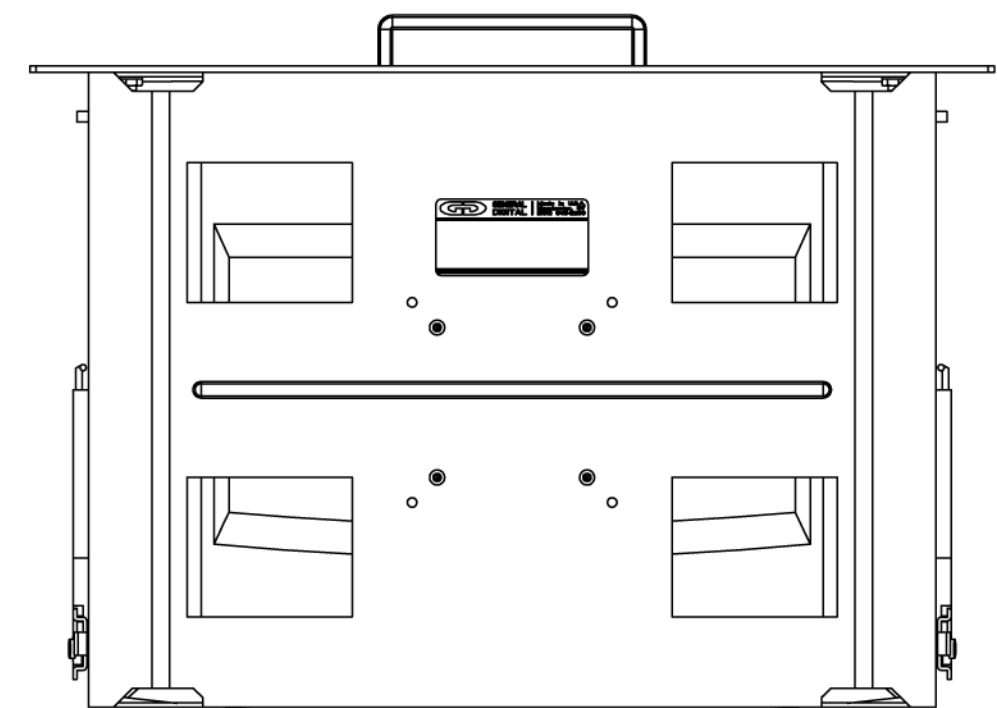
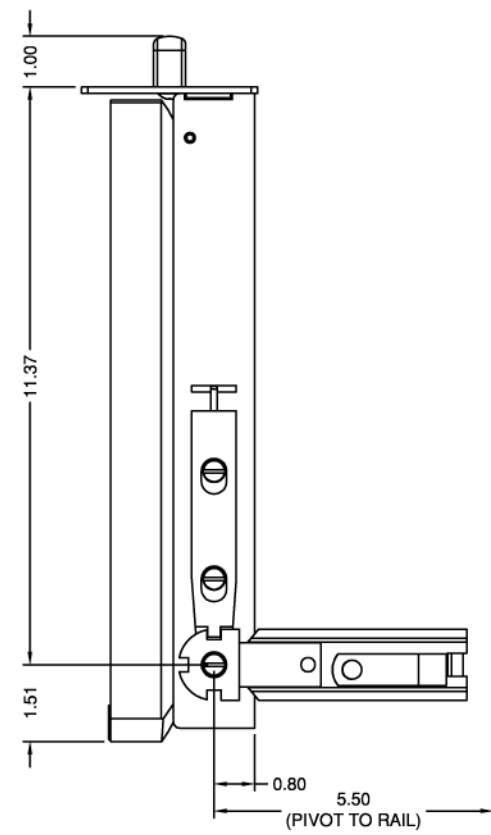
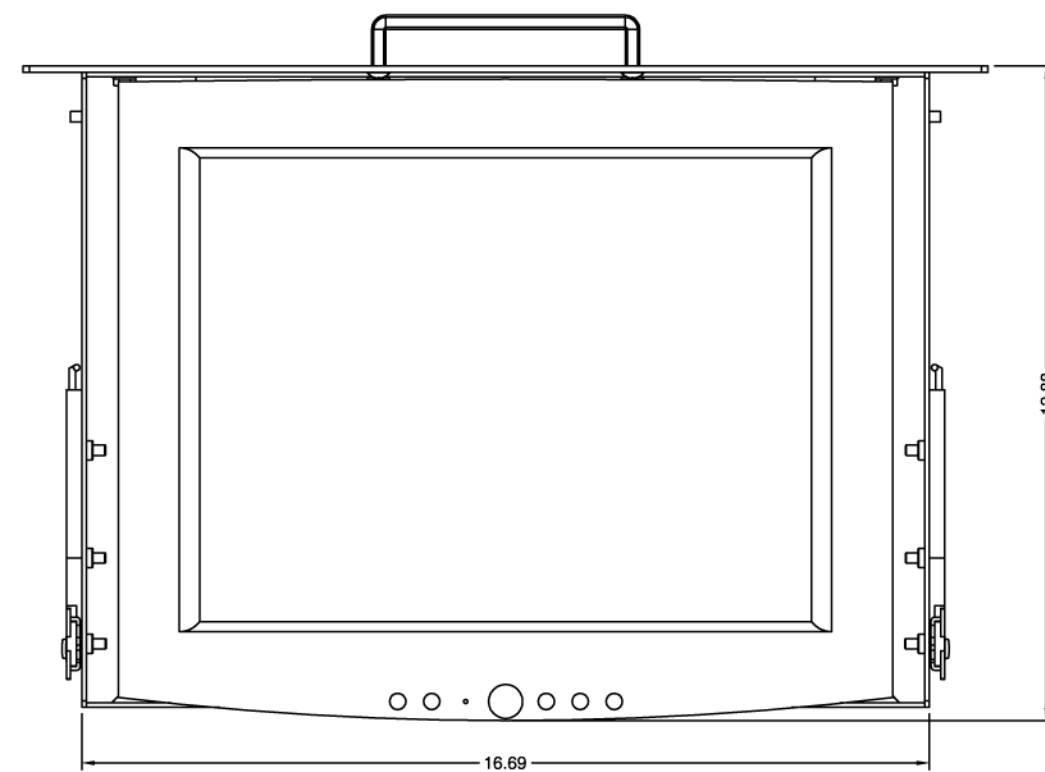
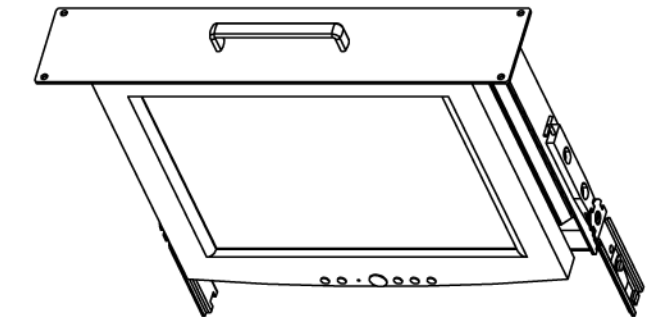
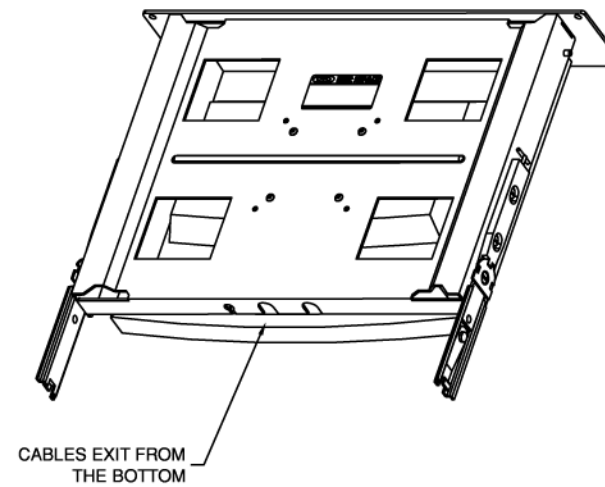
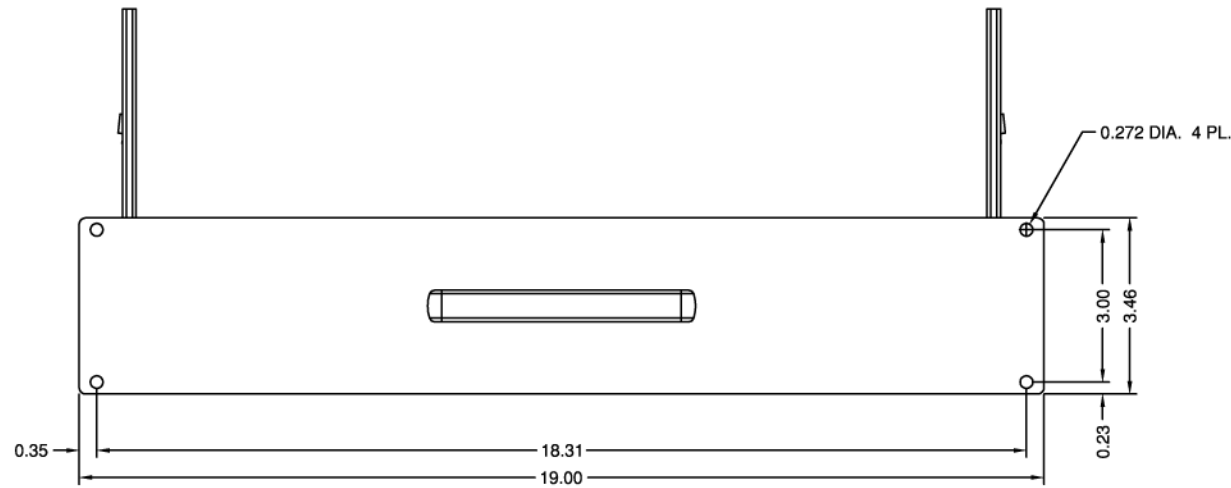



THIS DOCUMENT CONTAINS PROPRIETARY INFORMATION OF GENERAL DIGITAL AND IS NOT TO BE DISCLOSED, REPRODUCED OR PUBLISHED WITHOUT WRITTEN CONSENT FROM GENERAL DIGITAL. THIS DOCUMENT MUST BE RENDERED ILLEGIBLE WHEN BEING DISCARDED. © COPYRIGHT 2002. ALL RIGHTS RESERVED.

# Stowaway 151



|   |      |  |  |          |
|---|------|--|--|----------|
| MECHANICAL OUTLINE ONLY<br>SPECIFICATIONS SUBJECT TO<br>CHANGE WITHOUT NOTICE |      |  <b>GENERAL DIGITAL</b><br><i>The Innovators of Flat Panel Displays and Systems</i><br>8 Nutmeg Road South, South Windsor, CT. 06074<br>(860) 282-2900 <a href="http://www.GenDig.com">www.GenDig.com</a> |  |          |
| APPROVALS   | DATE |  |  |          |
| DRAWN   | C.P. | 01-Aug-02  | RGB Stowaway<br>15.1" XGA FLAT PANEL MONITOR |          |
| CHECKED   | T.R. | 01-Aug-02  |  |          |
| APPROVED  | B.G. | 01-Aug-02  |  |          |
| DO NOT SCALE DRAWING  |      | <b>B</b> CAGE CODE<br>1JA77  | DWG. NO.<br>00-41                            | REV<br>- |