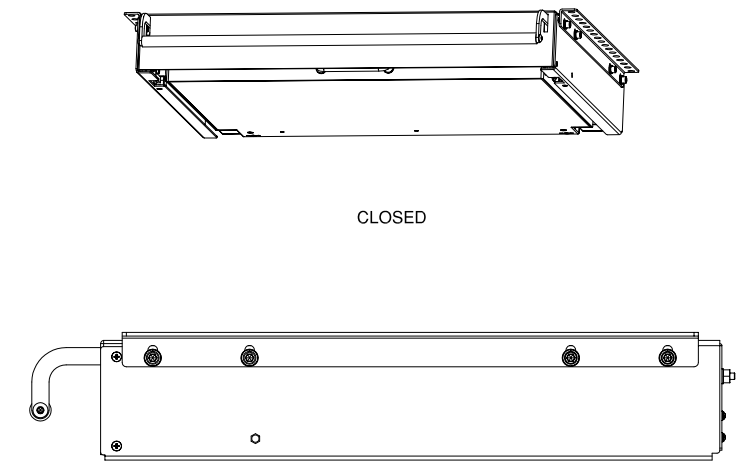
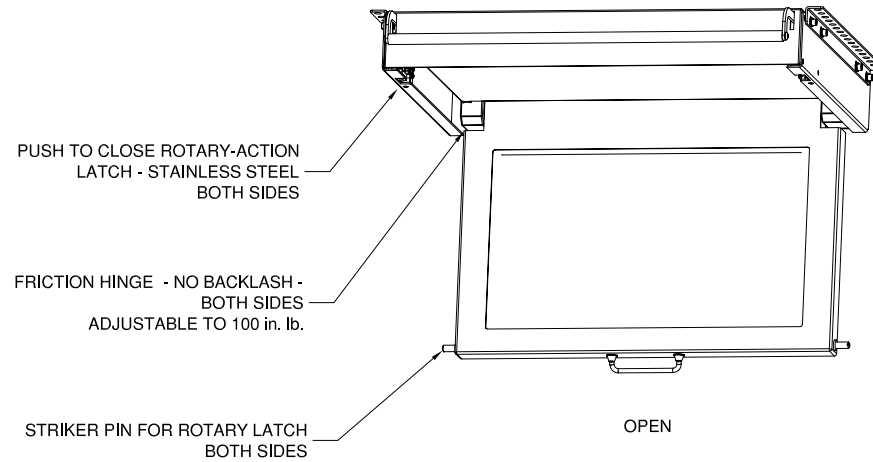
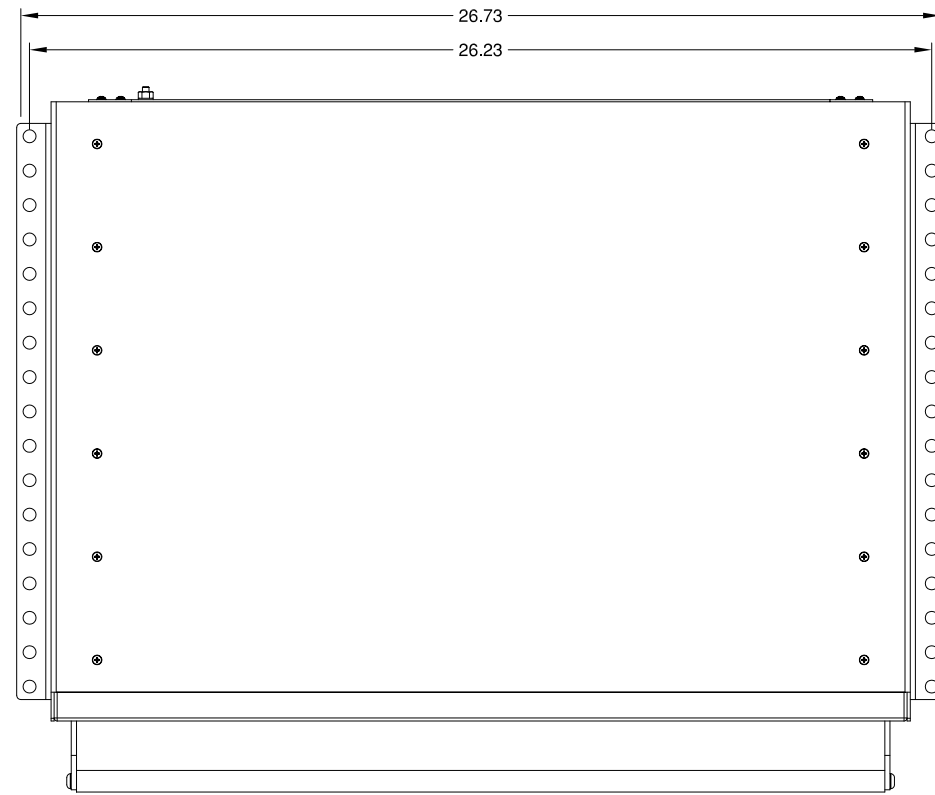
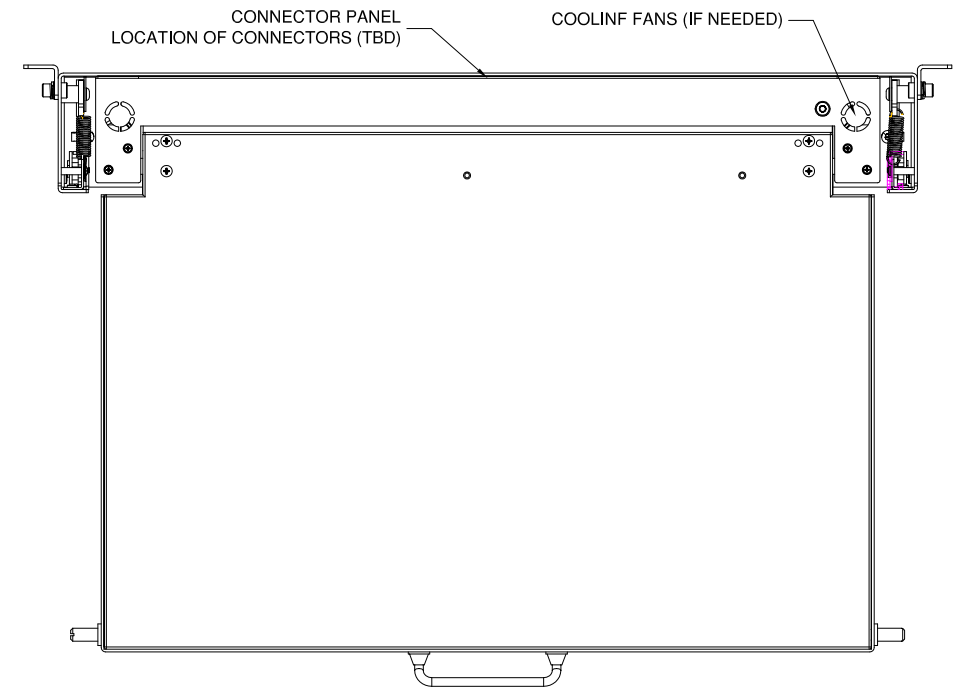
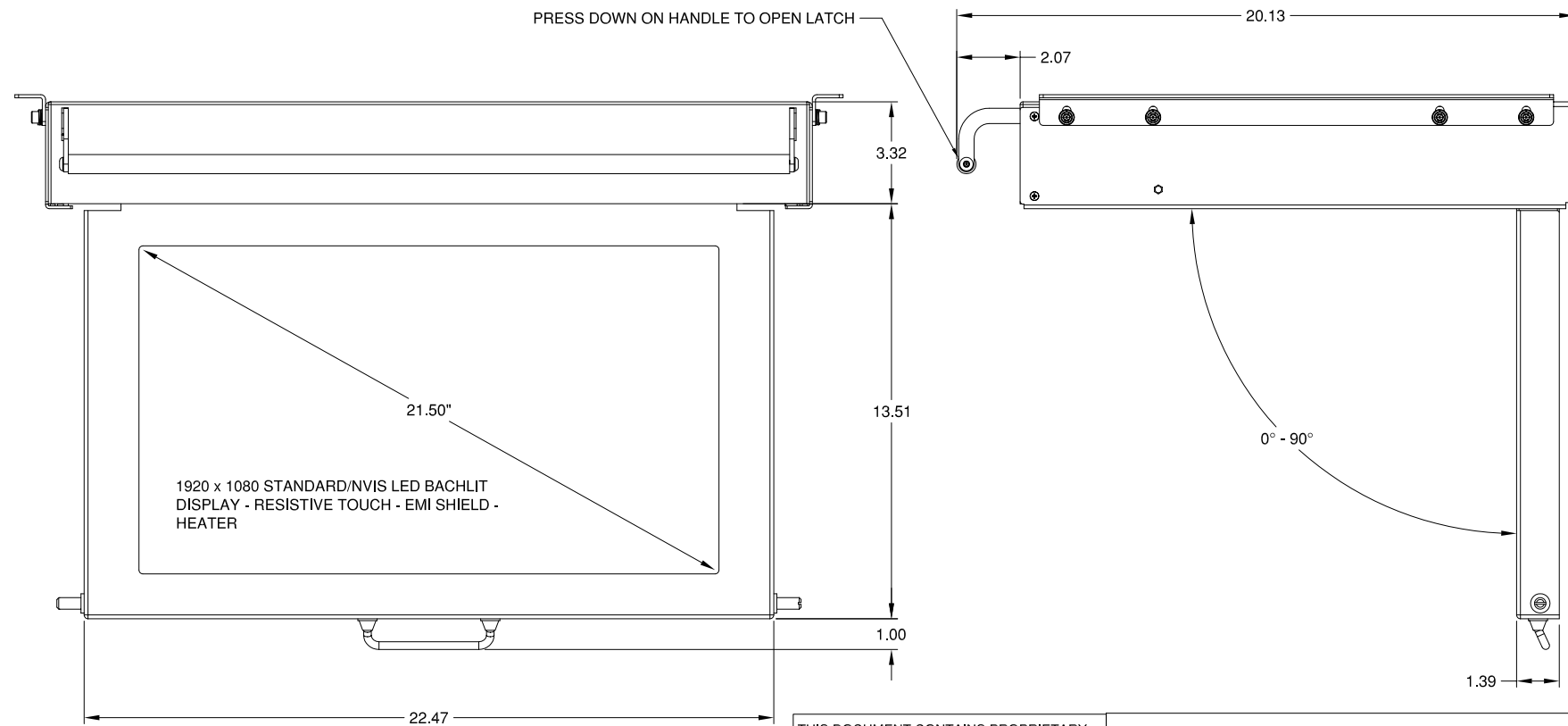


# 21.5" FLIP-DOWN MONITOR



PRESS DOWN ON HANDLE TO OPEN LATCH



1920 x 1080 STANDARD/NVIS LED BACHLIT DISPLAY - RESISTIVE TOUCH - EMI SHIELD - HEATER

- NOTES:
- ENCLOSURE TO BE PAINTED DESERT TAN.
  - DESIGNED TO MEET MiI-STD-461E.
  - RAYTHEON TO PROVIDE ISOLATION MOUNTING FOR MONITOR.
  - DESIGNED TO MEET -40 - +60 OPERATION.
  - CONNECTORS NEED TO BE SELECTED BY RATHEON/GDC.
  - OSD FOR THE VIDEO CONTROLLER SHALL BE CONTROLLED VIA SERIAL INTERFACE.
  - LAYOUT CONTROL FOR (4) VIDEO INPUTS TO BE CONTROLLED VIA A SERIAL INTERFACE.

THIS DOCUMENT CONTAINS PROPRIETARY INFORMATION OF GENERAL DIGITAL AND IS NOT TO BE DISCLOSED, REPRODUCED OR PUBLISHED WITHOUT WRITTEN CONSENT FROM GENERAL DIGITAL. THIS DOCUMENT MUST BE RENDERED ILLEGIBLE WHEN BEING DISCARDED. © COPYRIGHT 2012. ALL RIGHTS RESERVED.

UNLESS OTHERWISE SPECIFIED DIMENSIONS ARE IN INCHES TOLERANCES ARE:  
 FRACTIONS DECIMALS ANGLES  
 ±1/32 .X ±.050 ±0° 30'  
 .XX ±.031  
 .XXX±.020

### CONNECTOR CHART

DESIGNATION	FUNCTION	TYPE
CN1 - CN3	HD - SDI INPUT (X3)	TBD
CN4	+24 VDC	TBD
CN5	USB TOUCH	TBD
CN6	SERIAL DIAGNOSTICS/OSD	TBD
CN7	DVI INPUT	TBD

MECHANICAL OUTLINE ONLY. SPECIFICATIONS SUBJECT TO CHANGE WITHOUT NOTICE. U.O.S. ALL DIMENSIONS ARE IN INCHES.

APPROVALS	DATE
DRAWN FA	6-Feb-12
CHECKED T.R.	
APPROVED B.G.	
<b>DO NOT SCALE DRAWING</b>	



*The Innovators of Flat Panel Technology*  
 8 Nutmeg Road South, South Windsor, CT 06074  
 (860) 282-2900 www.GeneralDigital.com

### CONCEPT 21.5" FLIP-DOWN MONITOR

REV	DATE	ECN	DESCRIPTION	BY

<b>B</b>	CAGE CODE	DWG. NO.	REV
	1JA77	12-06	-