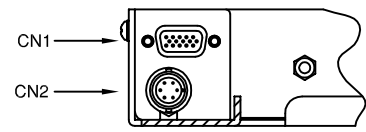
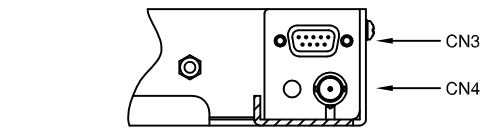


THIS DOCUMENT CONTAINS PROPRIETARY INFORMATION OF GENERAL DIGITAL AND IS NOT TO BE DISCLOSED, REPRODUCED OR PUBLISHED WITHOUT WRITTEN CONSENT FROM GENERAL DIGITAL. THIS DOCUMENT MUST BE RENDERED ILLEGIBLE WHEN BEING DISCARDED. © COPYRIGHT 2007. ALL RIGHTS RESERVED.

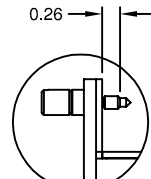
SLM-19W-702-08-00-12-31-0092



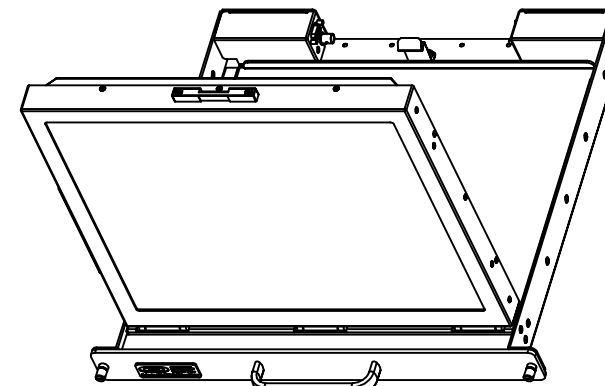
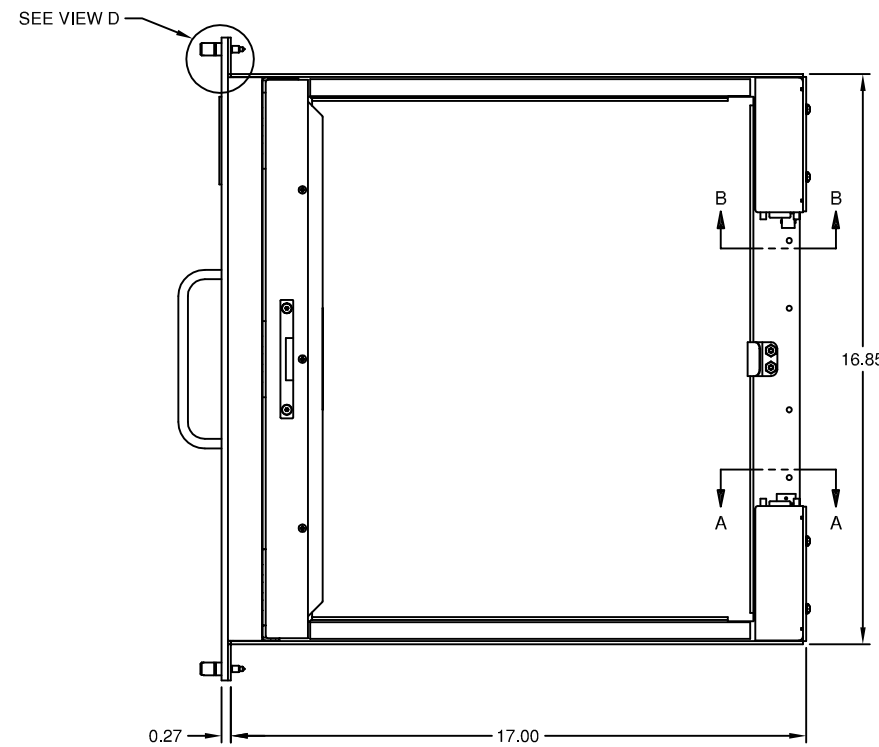
SECTION A-A



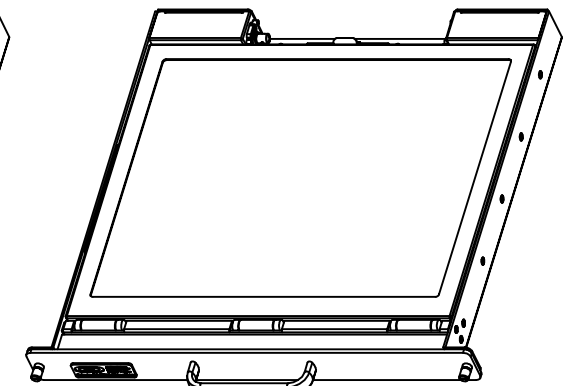
SECTION B-B



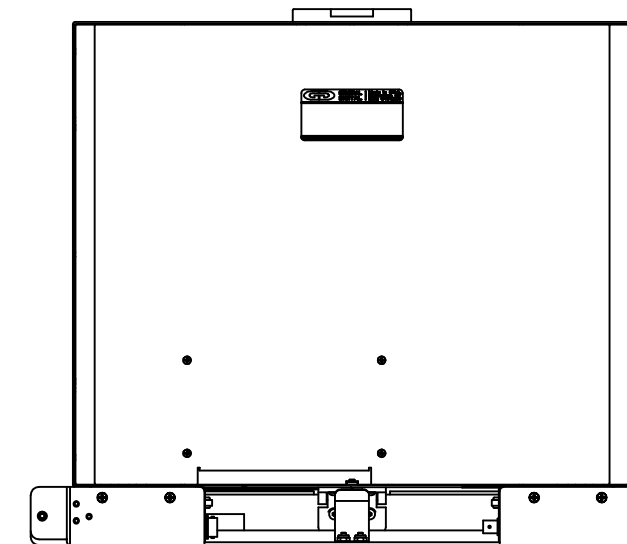
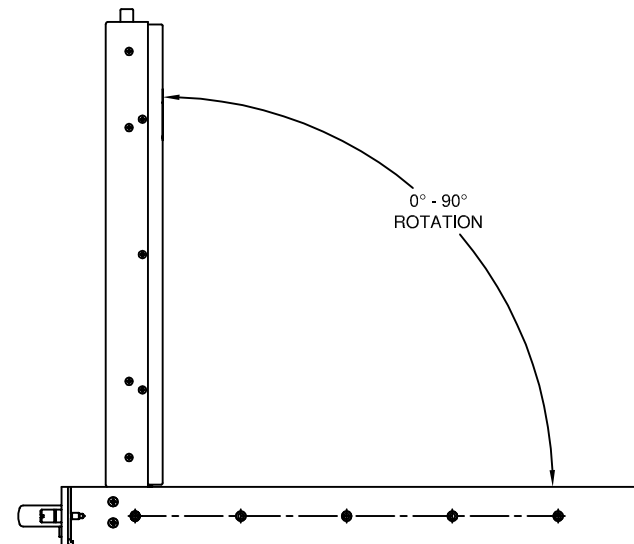
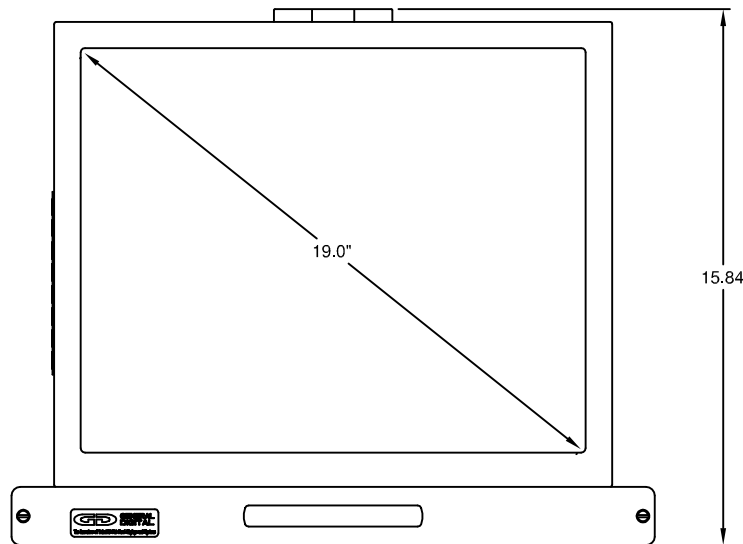
VIEW D
SCALE - NONE



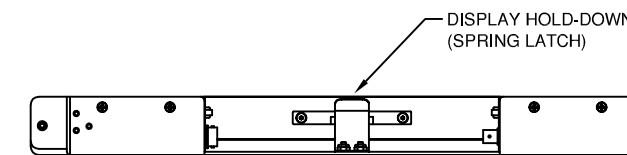
OPEN/DEPLOYED POSITION



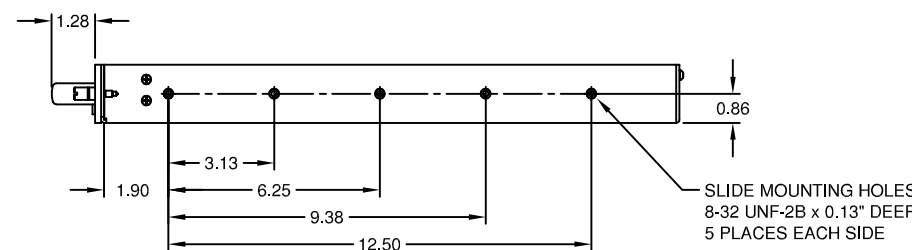
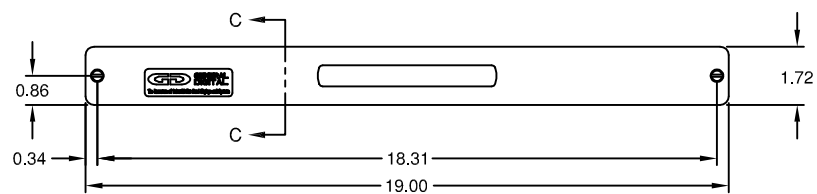
CLOSED/STOWED POSITION



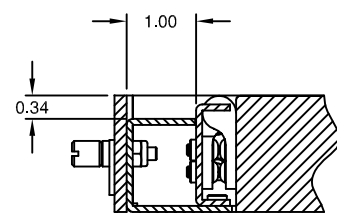
OPEN/DEPLOYED POSITION



CLOSED/STOWED POSITION



SLIDE MOUNTING HOLES
8-32 UNF-2B x 0.13" DEEP
5 PLACES EACH SIDE



SECTION C-C

UNLESS OTHERWISE SPECIFIED
DIMENSIONS ARE IN INCHES
TOLERANCES ARE:
FRACTIONS DECIMALS ANGLES
±1/32 .X ±.031 ±0° 30'
.XX ±.020

CONNECTOR CHART			MECHANICAL OUTLINE ONLY. SPECIFICATIONS SUBJECT TO CHANGE WITHOUT NOTICE. U.O.S. ALL DIMENSIONS ARE IN INCHES.	
DESIGNATION	FUNCTION	TYPE	APPROVALS	DATE
CN1	ANALOG VIDEO INPUT	HD-15-S		
CN2	+12 VDC INPUT	6-PIN HIROSE	DRAWN	14-Feb-07
CN3	SERIAL INPUT	DE-9-S	CHECKED	14-Feb-07
CN4	COMPOSITE VIDEO INPUT	BNC STYLE	APPROVED	14-Feb-07
			B.G.	
DO NOT SCALE DRAWING				



The Innovators of Flat Panel Technology
8 Nutmeg Road South, South Windsor, CT 06074
(860) 282-2900 www.GeneralDigital.com

1U RACK MOUNT MONITOR
19.0" SXGA FLAT PANEL MONITOR

B	CAGE CODE	DWG. NO.	REV
	1JA77	07-01	-