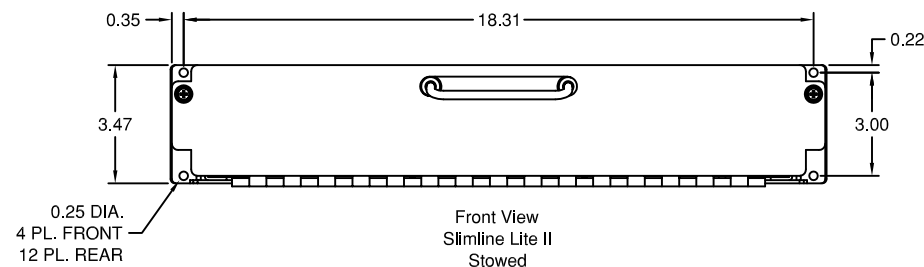
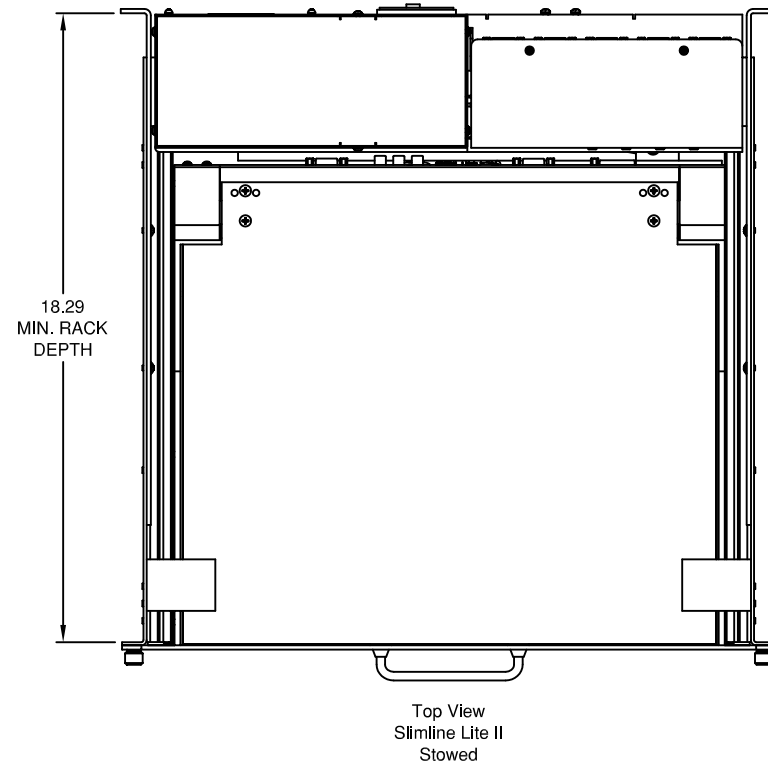
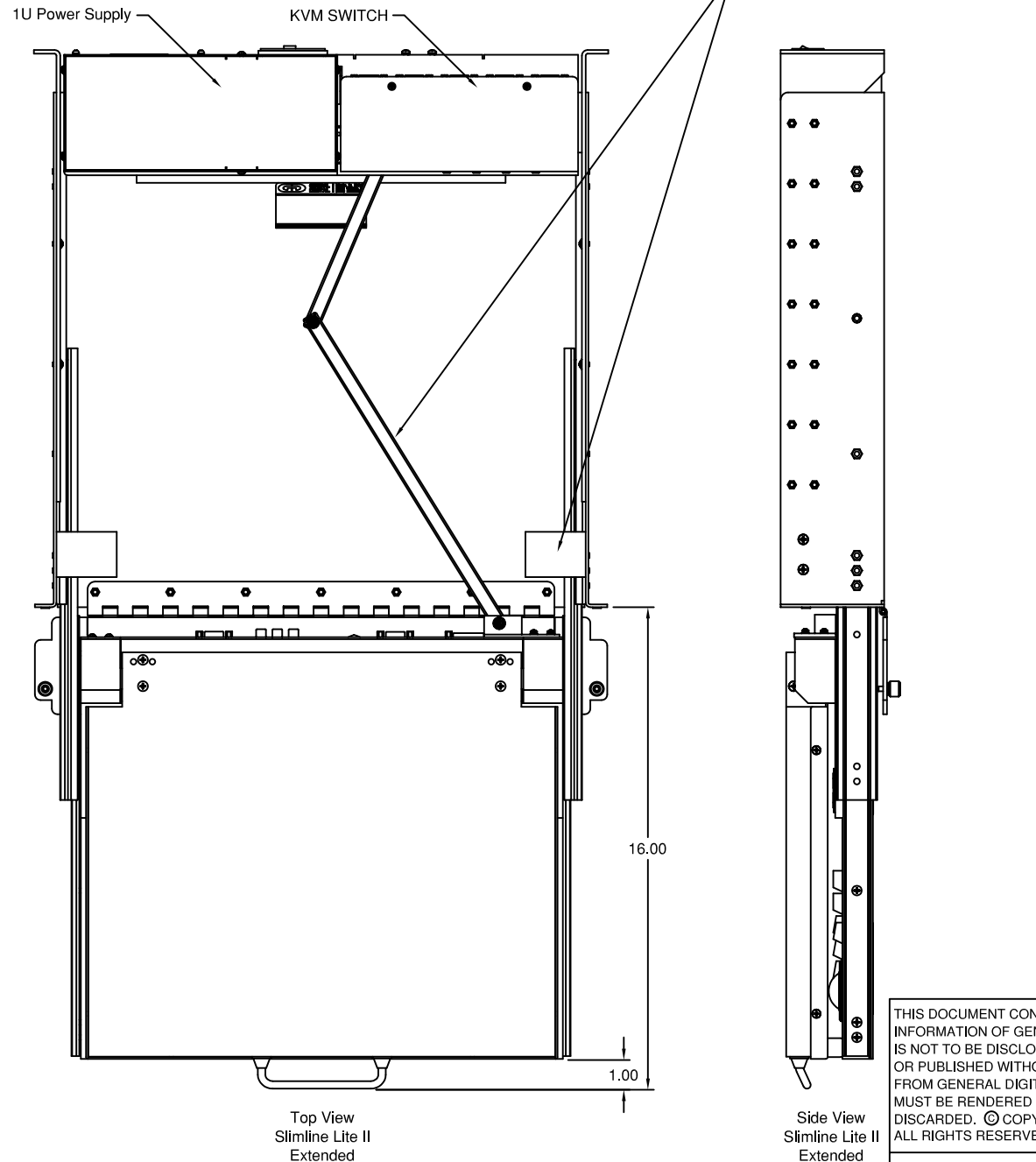
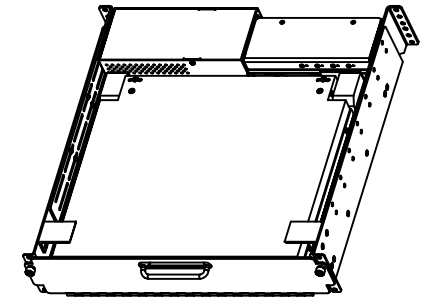
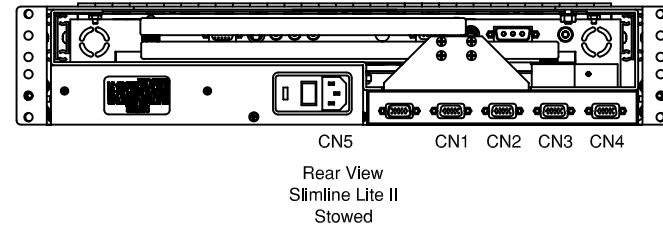
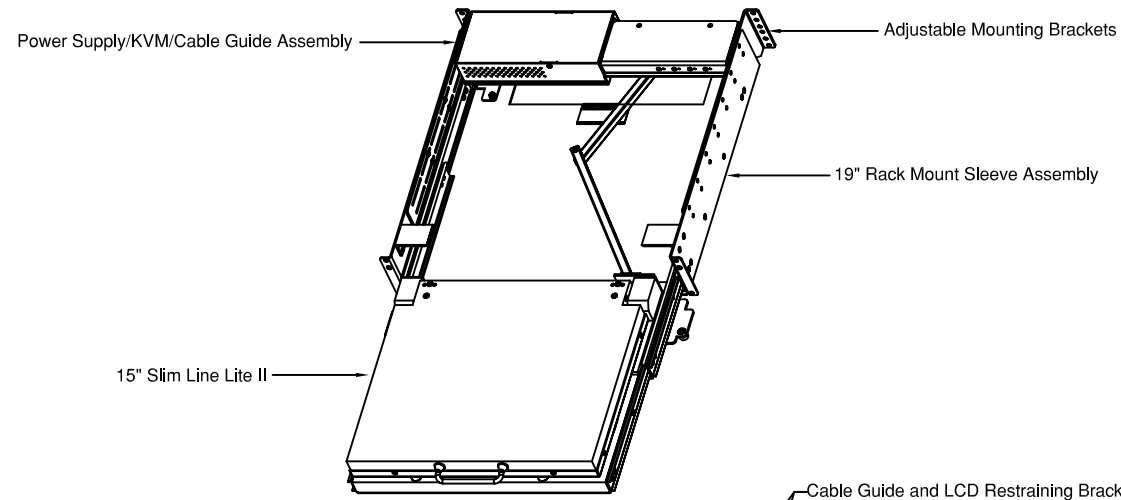


90-2723-007



THIS DOCUMENT CONTAINS PROPRIETARY INFORMATION OF GENERAL DIGITAL AND IS NOT TO BE DISCLOSED, REPRODUCED OR PUBLISHED WITHOUT WRITTEN CONSENT FROM GENERAL DIGITAL. THIS DOCUMENT MUST BE RENDERED ILLEGIBLE WHEN BEING DISCARDED. © COPYRIGHT 2009. ALL RIGHTS RESERVED.

UNLESS OTHERWISE SPECIFIED DIMENSIONS ARE IN INCHES TOLERANCES ARE:
 FRACTIONS DECIMALS ANGLES
 ±1/32 .X ±.050 ±0° 30'
 .XX ±.031
 .XXX±.020

| CONNECTOR CHART | | |
|-----------------|------------------|---------|
| DESIGNATION | FUNCTION | TYPE |
| CN1 | KVM INPUT - PC 1 | DE-15-S |
| CN2 | KVM INPUT - PC 2 | DE-15-S |
| CN3 | KVM INPUT - PC 3 | DE-15-S |
| CN4 | KVM INPUT - PC 4 | DE-15-S |
| CN5 | AC INPUT | IEC-320 |

| | |
|----------------------------------------------------------------------------------------------------------------|-----------|
| MECHANICAL OUTLINE ONLY. SPECIFICATIONS SUBJECT TO CHANGE WITHOUT NOTICE. U.O.S. ALL DIMENSIONS ARE IN INCHES. | |
| APPROVALS | DATE |
| C.P. | 03-Dec-09 |
| CHECKED | 03-Dec-09 |
| T.R. | |
| APPROVED | 03-Dec-09 |
| B.G. | |
| DO NOT SCALE DRAWING | |

GD GENERAL DIGITAL
The Innovators of Flat Panel Technology
 8 Nutmeg Road South, South Windsor, CT 06074
 (860) 282-2900 www.GeneralDigital.com

| | | |
|------------------------------------------------------------|--------------------|-------------------|
| SLIMLINE LITE II RGB - MIL 15.0" XGA FLAT PANEL MONITOR | | |
| B | CAGE CODE 1JA77 | DWG. NO. 09-55 |
| | | REV - |

| REV | DATE | ECN | DESCRIPTION | BY |
|-----|------|-----|-------------|----|
| | | | | |