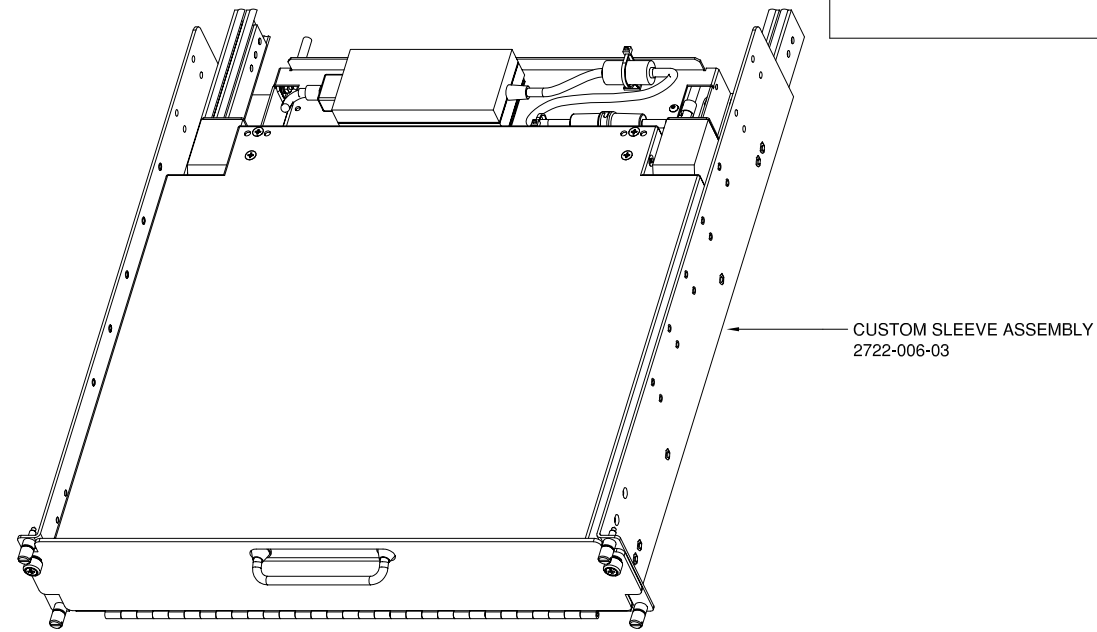
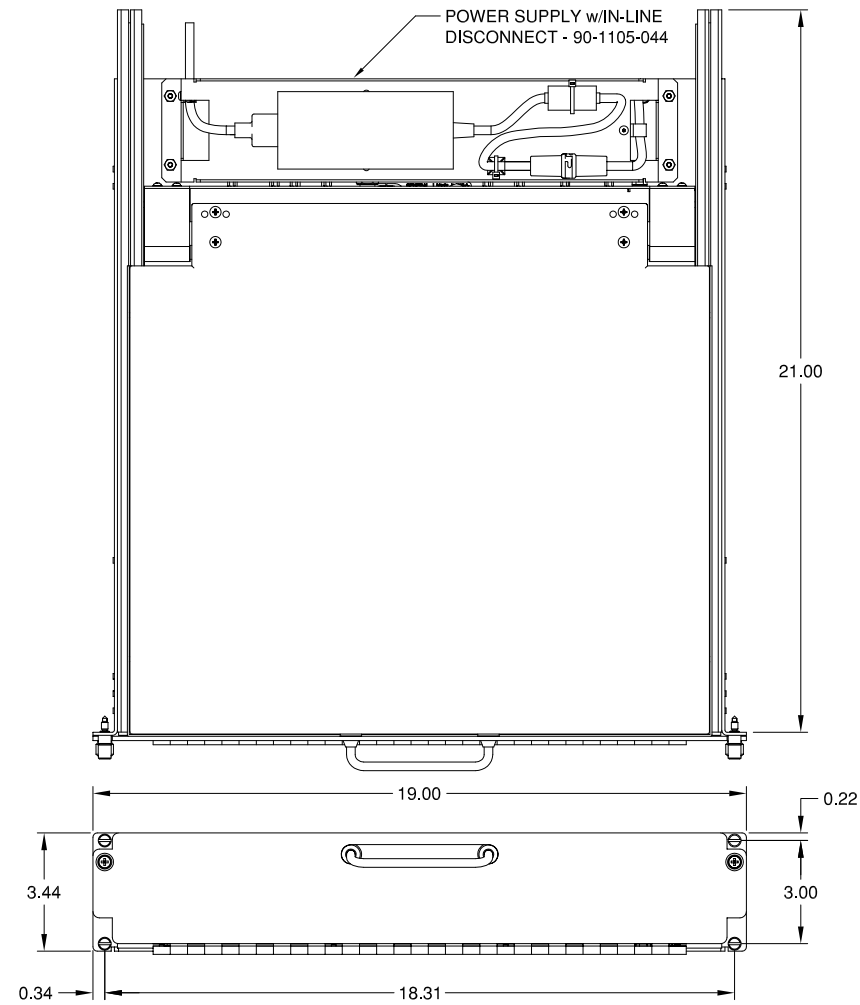
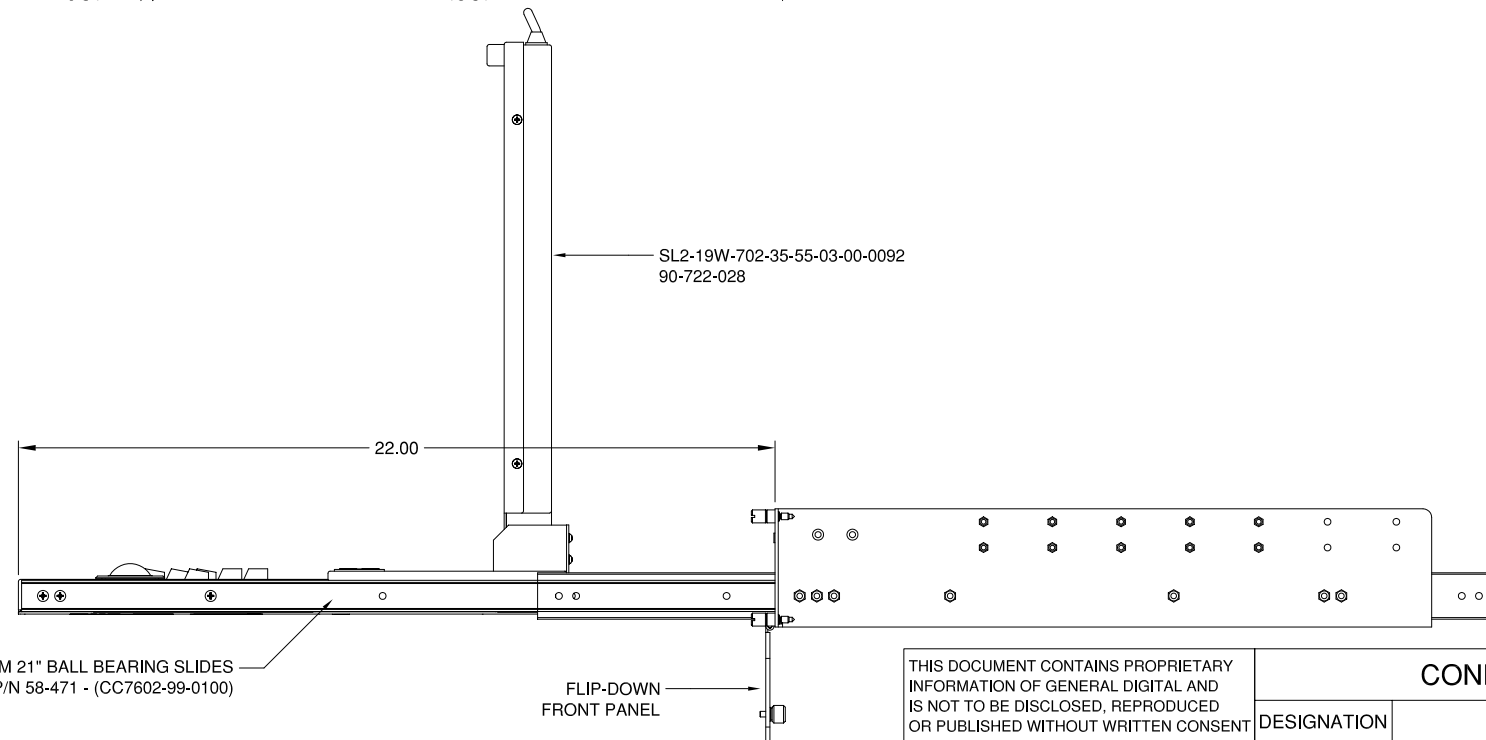
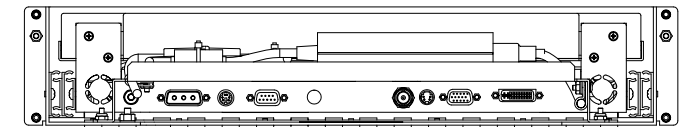
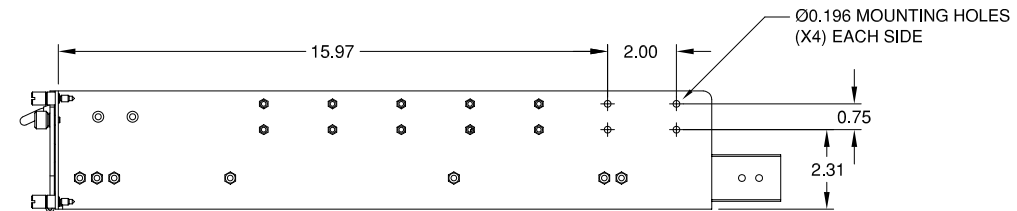


90-2722-006-B



CUSTOM SLEEVE ASSEMBLY  
2722-006-03



CUSTOM 21" BALL BEARING SLIDES  
GDC P/N 58-471 - (CC7602-99-0100)

FLIP-DOWN  
FRONT PANEL

THIS DOCUMENT CONTAINS PROPRIETARY INFORMATION OF GENERAL DIGITAL AND IS NOT TO BE DISCLOSED, REPRODUCED OR PUBLISHED WITHOUT WRITTEN CONSENT FROM GENERAL DIGITAL. THIS DOCUMENT MUST BE RENDERED ILLEGIBLE WHEN BEING DISCARDED. © COPYRIGHT 2011. ALL RIGHTS RESERVED.

UNLESS OTHERWISE SPECIFIED DIMENSIONS ARE IN INCHES TOLERANCES ARE:  
FRACTIONS DECIMALS ANGLES  
±1/32 .X ±.050 ±0° 30'  
.XX ±.031  
.XXX±.020

CONNECTOR CHART

DESIGNATION	FUNCTION	TYPE

MECHANICAL OUTLINE ONLY. SPECIFICATIONS SUBJECT TO CHANGE WITHOUT NOTICE. U.O.S. ALL DIMENSIONS ARE IN INCHES.

APPROVALS		DATE
DRAWN	M.M.	25-Aug-11
CHECKED	T.R.	25-Aug-11
APPROVED	B.G.	25-Aug-11
DO NOT SCALE DRAWING		



*The Innovators of Flat Panel Technology*  
8 Nutmeg Road South, South Windsor, CT 06074  
(860) 282-2900 www.GeneralDigital.com

SLIMLINE LITE II - CUSTOM  
19.0" SXGA FLAT PANEL MONITOR

REV	DATE	ECN	DESCRIPTION	BY
A	13-Sep-11	-	CHANGES MADE PER CUSTOMER REQUEST	CP

<b>B</b>	CAGE CODE	DWG. NO.	REV
	1JA77	11-34	A