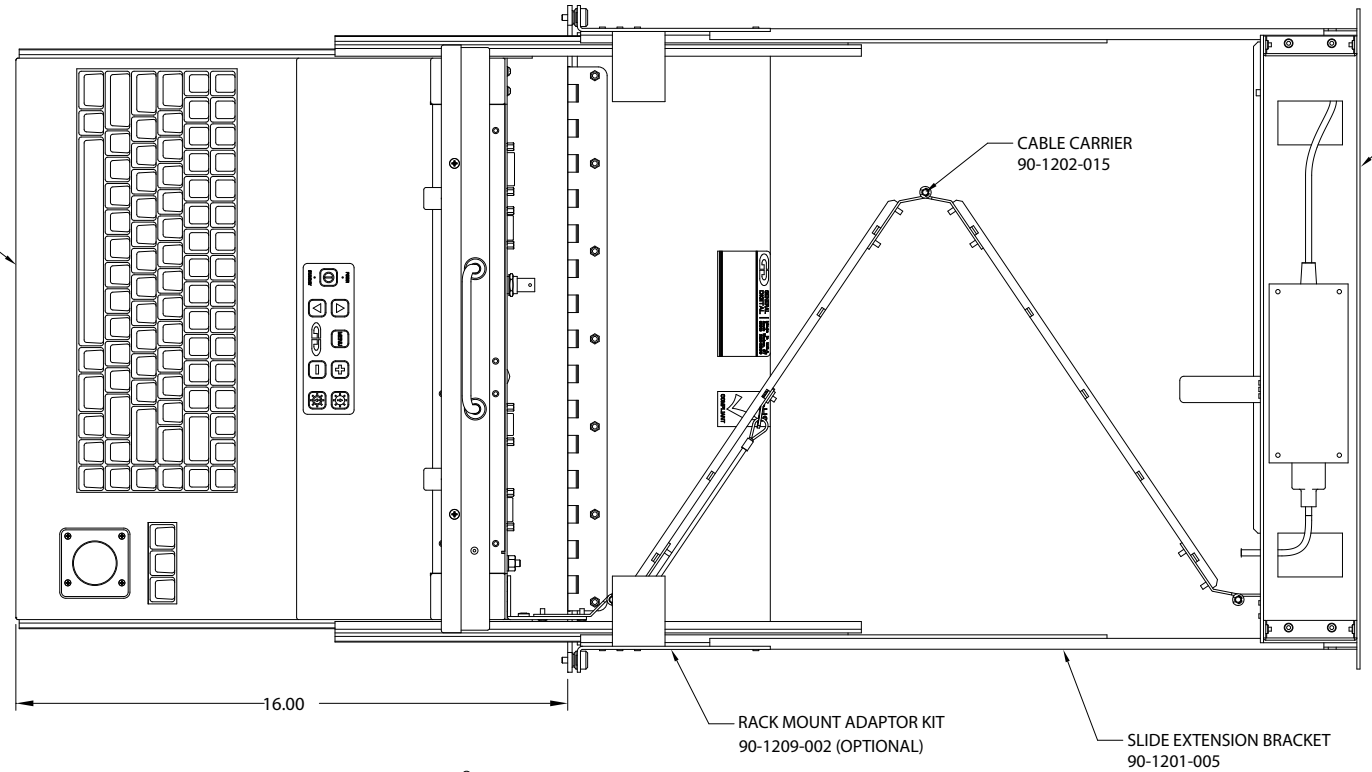


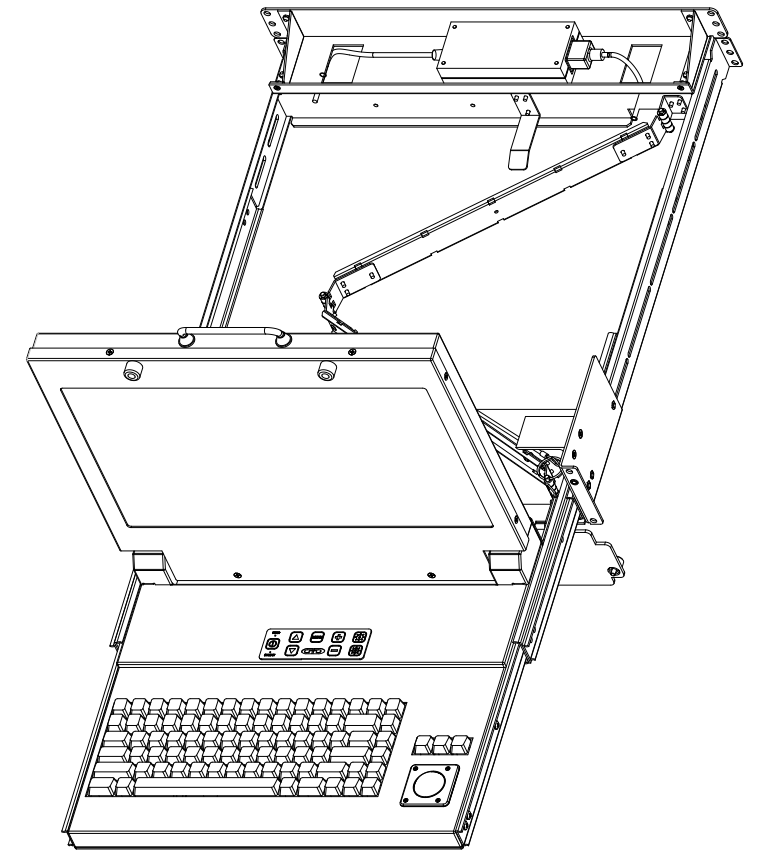
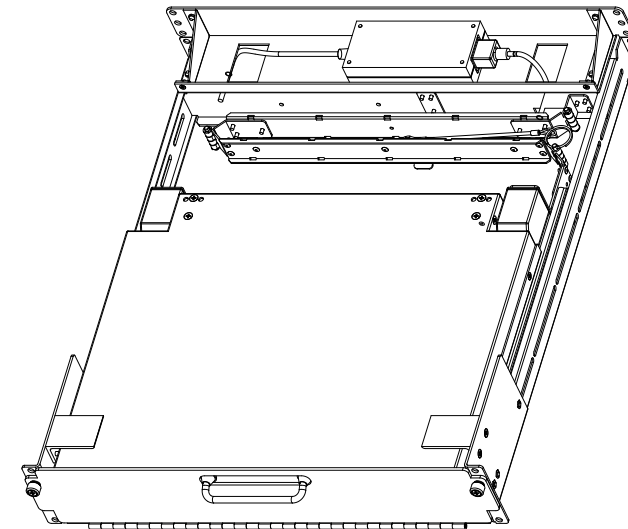
SL2-17D

90-2736-001

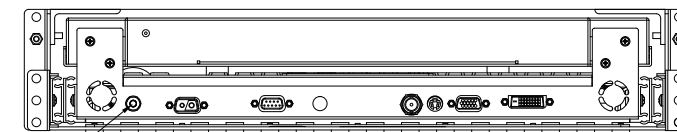
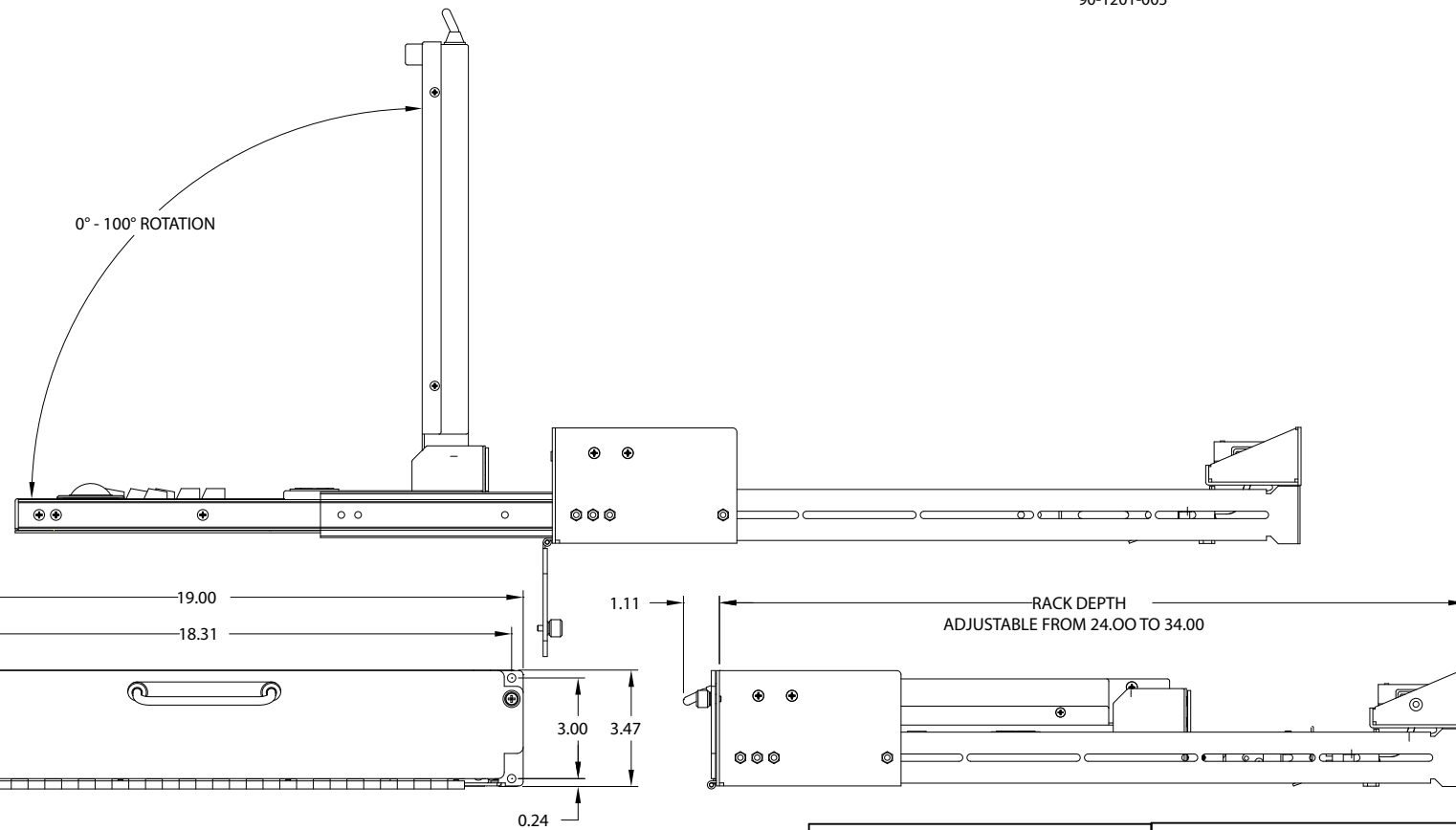
SL2-17D
90-736-001



90-1105-071
POWER SUPPLY
SUPPLIED WITH 90-1105-071 POWER SUPPLY:
38-502 - AC LINE CORD , NEMA 5-15P, 6' 7"

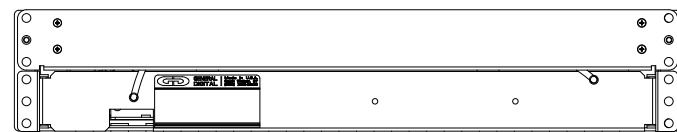


0° - 100° ROTATION



SHOWN WITH POWER SUPPLY
AND CABLE CARRIER REMOVED

GROUND STUD
#10-32 UNF-SA x $\frac{1}{8}$ LONG



THIS DOCUMENT CONTAINS PROPRIETARY INFORMATION OF GENERAL DIGITAL AND IS NOT TO BE DISCLOSED, REPRODUCED OR PUBLISHED WITHOUT WRITTEN CONSENT FROM GENERAL DIGITAL. THIS DOCUMENT MUST BE RENDERED ILLEGIBLE WHEN BEING DISCARDED. © COPYRIGHT 2018. ALL RIGHTS RESERVED.

UNLESS OTHERWISE SPECIFIED DIMENSIONS ARE IN INCHES TOLERANCES ARE:
FRACTIONS DECIMALS ANGLES
±1/32 .X ±.050 ±0° 30'
.XX ±.031
.XXX ±.020

CONNECTOR CHART

DESIGNATION	FUNCTION	TYPE
CN1	DVI-D INPUT	DVI-D
CN2	ANALOG VIDEO INPUT	DE-15-S
CN3	S-VIDEO INPUT	4-PIN MINI DIN
CN4	COMPOSITE VIDEO INPUT	BNC STYLE
CN5	KEYBOARD/TRACKBALL USB INPUT	DE-9-P
CN6	+12 VDC INPUT	DA-2W2-P

MECHANICAL OUTLINE ONLY.
SPECIFICATIONS SUBJECT TO
CHANGE WITHOUT NOTICE. U.O.S.
ALL DIMENSIONS ARE IN INCHES.

APPROVALS		DATE
DRAWN	FA	02-Oct-18
CHECKED		
APPROVED		
DO NOT SCALE DRAWING		

GD GENERAL DIGITAL

Engineering What's Next
8 Nutmeg Road South, South Windsor, CT 06074
(860) 282-2900 www.GeneralDigital.com

SL2-17D
17.3" WUXGA FLAT PANEL MONITOR

REV	DATE	ECN	DESCRIPTION	BY

B	CAGE CODE	DWG. NO.	REV
	1JA77	2736-001-97	-