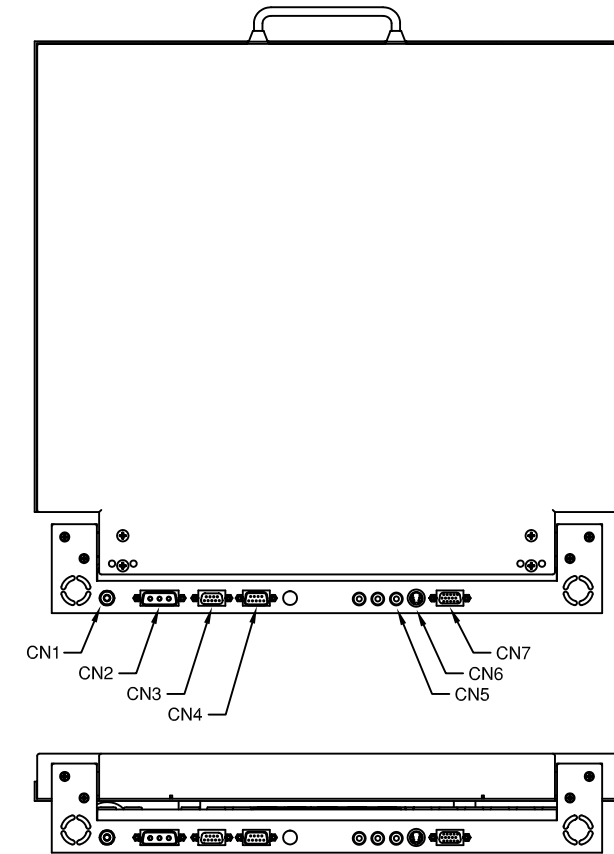
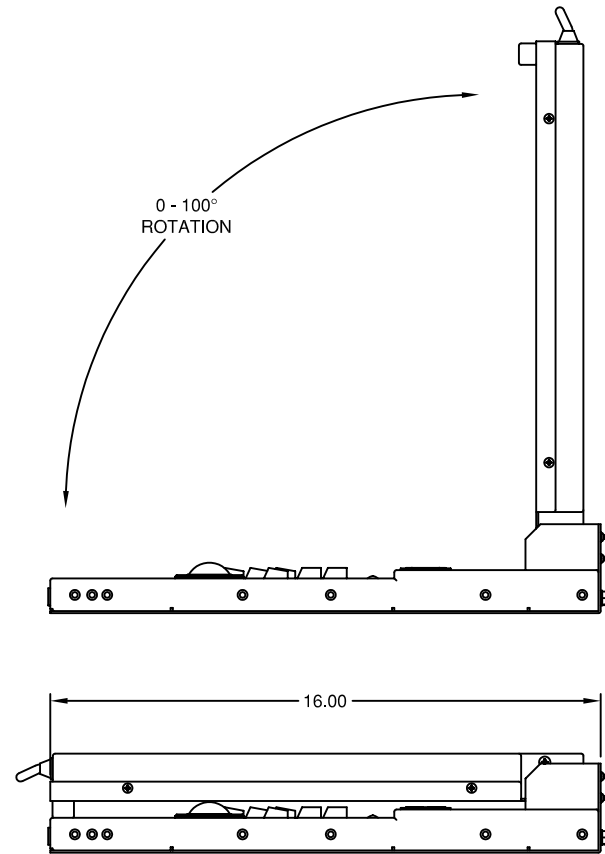
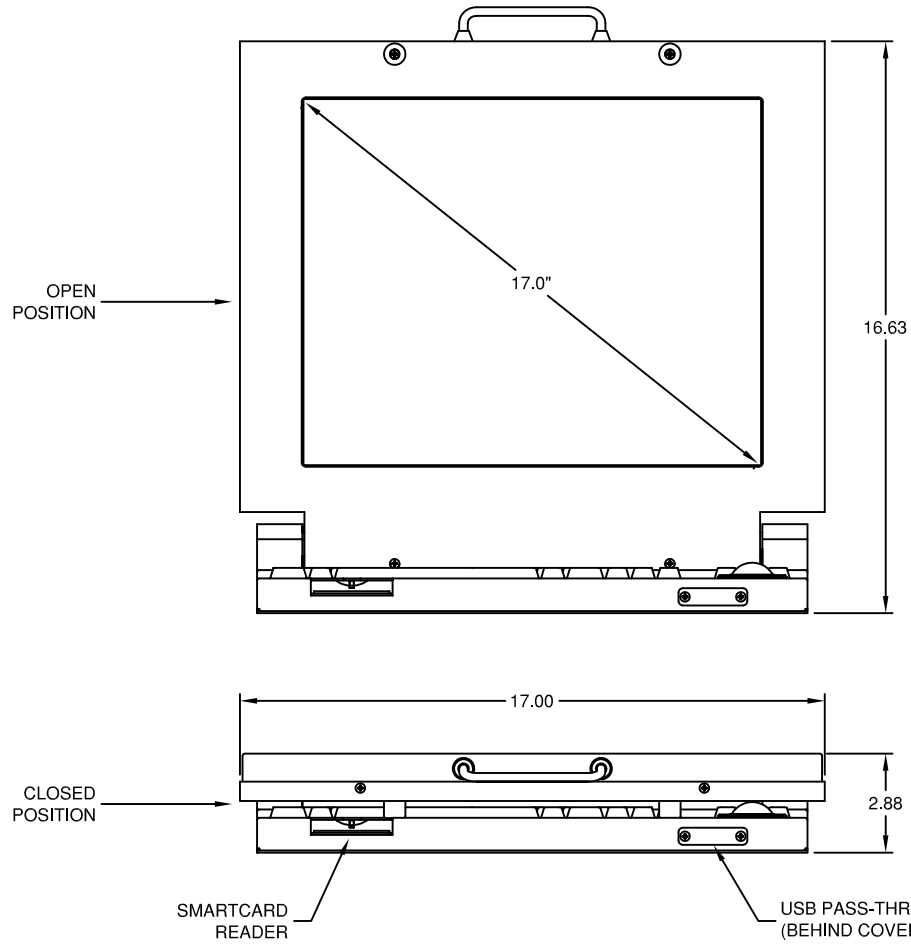
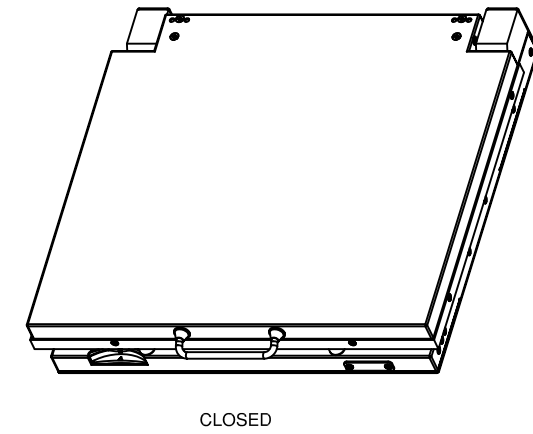
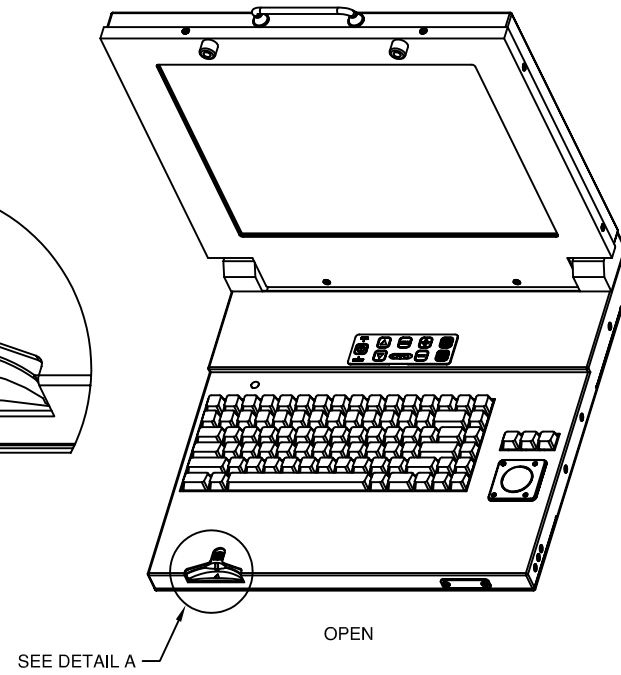
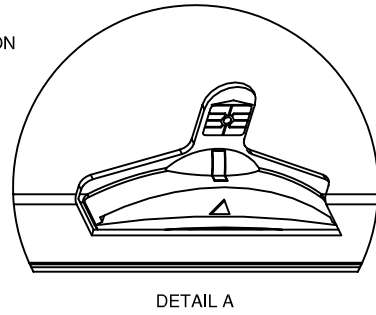
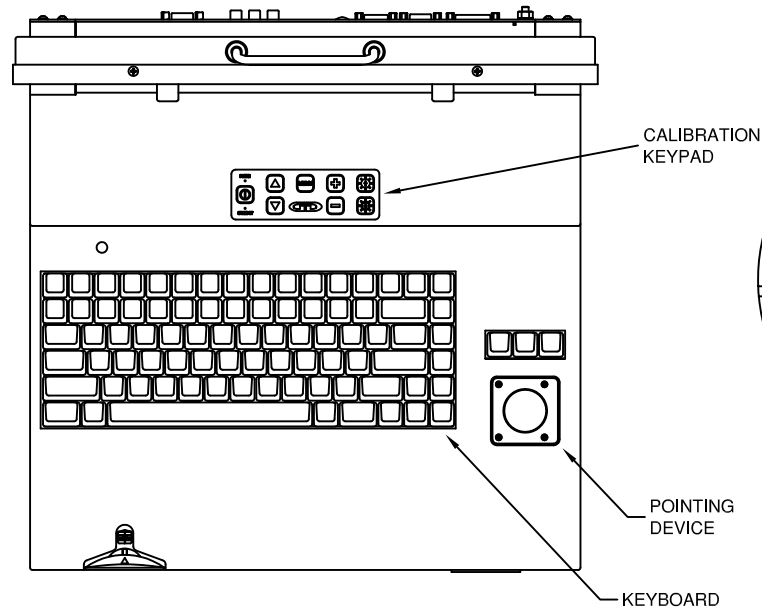


THIS DOCUMENT CONTAINS PROPRIETARY INFORMATION OF GENERAL DIGITAL AND IS NOT TO BE DISCLOSED, REPRODUCED OR PUBLISHED WITHOUT WRITTEN CONSENT FROM GENERAL DIGITAL. THIS DOCUMENT MUST BE RENDERED ILLEGIBLE WHEN BEING DISCARDED. © COPYRIGHT 2005. ALL RIGHTS RESERVED.

SL2-17W-507-08-51-03-00-0092-086



CONNECTOR CHART			MECHANICAL OUTLINE ONLY. SPECIFICATIONS SUBJECT TO CHANGE WITHOUT NOTICE. U.O.S. ALL DIMENSIONS ARE IN INCHES.	
DESIGNATION	FUNCTION	TYPE	APPROVALS	DATE
CN1	GROUND STUD	10-32 UNF-2A	C.P.	24-Jun-05
CN2	+12 VDC INPUT	DA-3W3-P		
CN3	SMARTCARD/USB PASS-THRU	DE-9-S	T.R.	24-Jun-05
CN4	KEYBOARD/MOUSE INPUT	DE-9-P		
CN5	COMPOSITE VIDEO INPUT	RCA	B.G.	24-Jun-05
CN6	S-VIDEO INPUT	4-PIN MINI DIN		
CN7	ANALOG VIDEO INPUT	DE-15-S	DO NOT SCALE DRAWING	

GD GENERAL DIGITAL
The Innovators of Flat Panel Technology
 8 Nutmeg Road South, South Windsor, CT 06074
 (860) 282-2900 www.GeneralDigital.com

SlimLine Lite II
17.0" SXGA FLAT PANEL MONITOR

B	CAGE CODE	DWG. NO.	REV
	1JA77	05-31	A