

(X) OPTION	UNIT DESCRIPTION
-	SLIMLINE LITE II
D	SLIMLINE LITE II DAYLIGHT READABLE
S	SLIMLINE LITE II SOLAR
SN	SLIMLINE LITE II SOLAR/NVIS

(X)SL2-15X-cccc-ddd-ee-03-02-0092-000

SEE TABLE 1 FOR POPULAR KEYBOARD (ee) CONFIGURATIONS

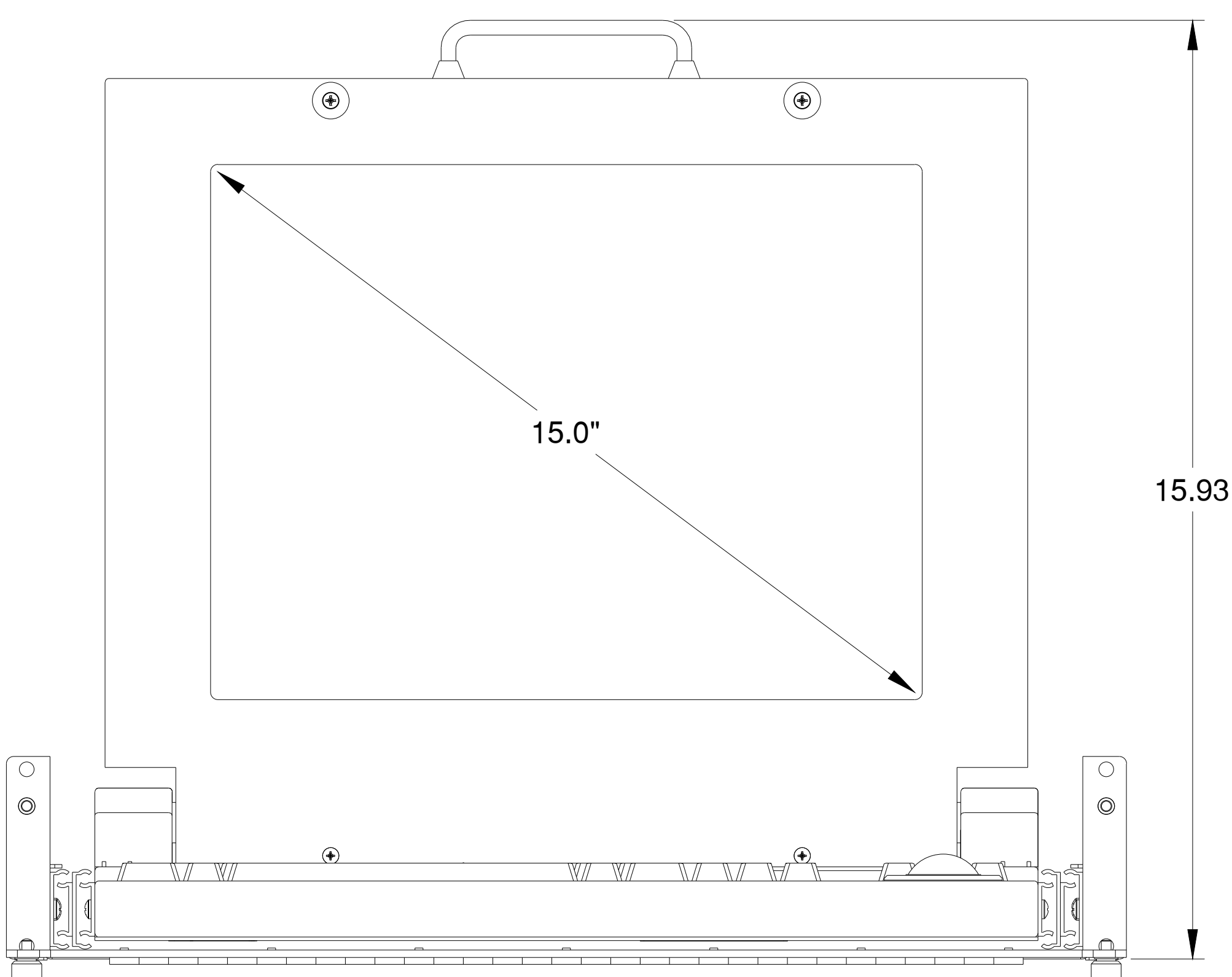
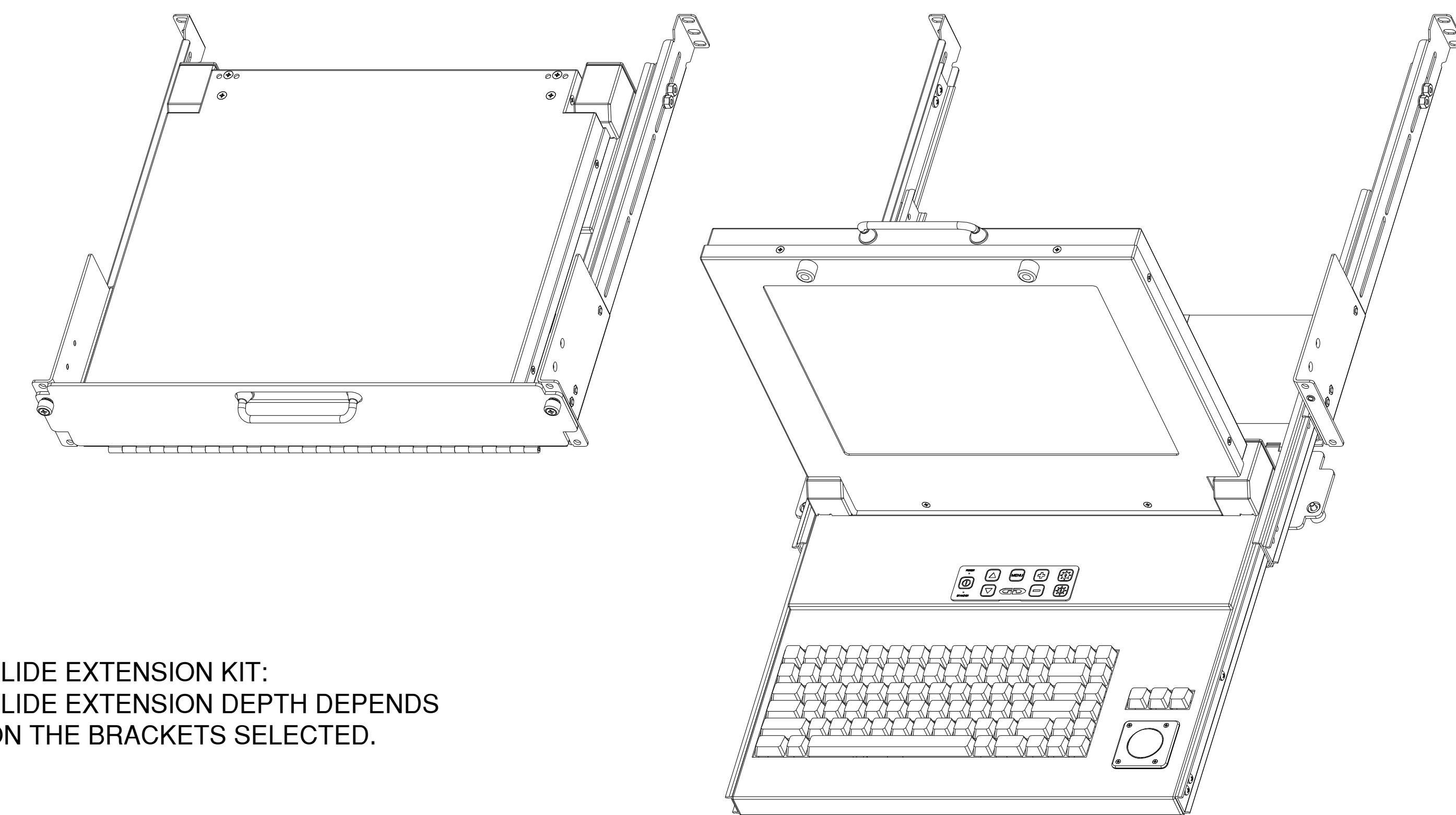
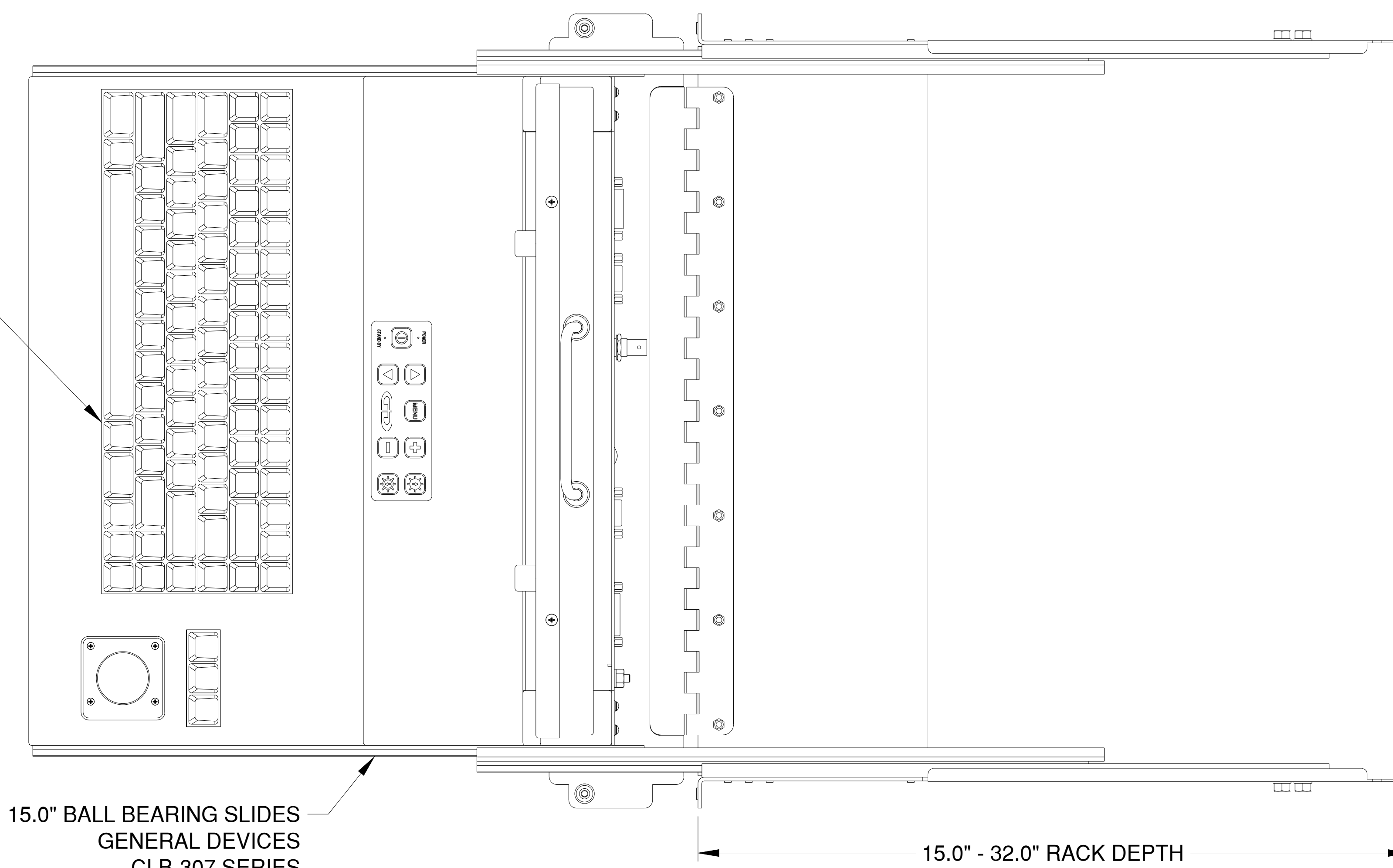


TABLE 2: VIDEO CONTROLLER CONFIGURATIONS

(ddd) OPTION	RESOLUTION	INPUT SIGNALS	EDGE CONNECTORS
107	1920 x 1200 (75 Hz)	VGA, DVI-D, S-VIDEO, COMPOSITE	VGA, DVI-D, S-VIDEO, COMPOSITE
115	1920 x 1200 (60 Hz)	VGA, DVI-D, NTSC	VGA, DVI-D, NTSC

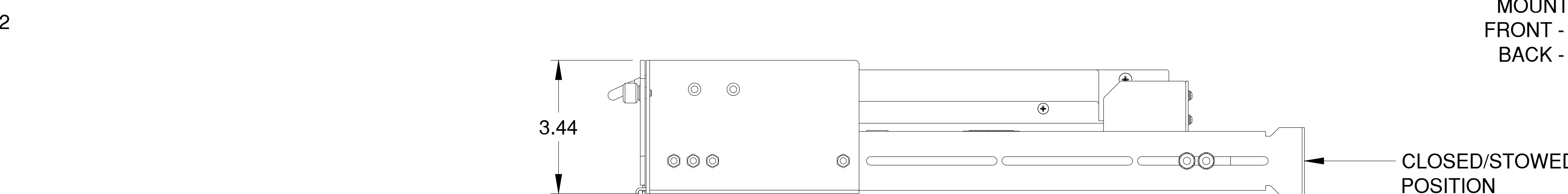
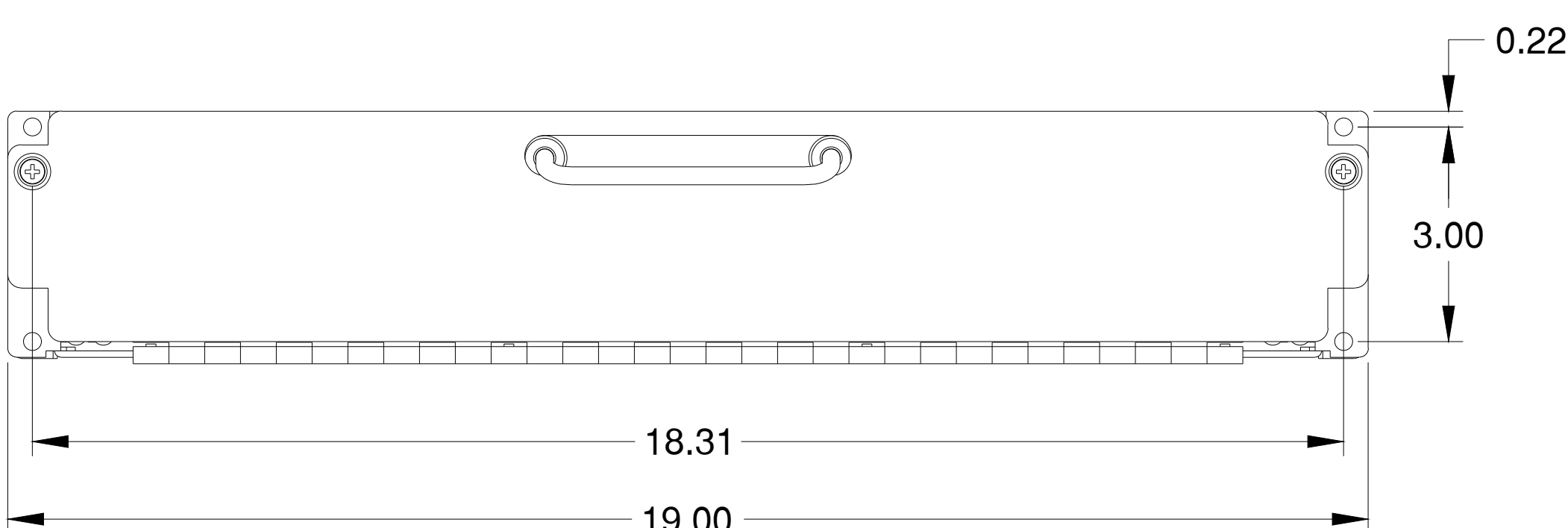
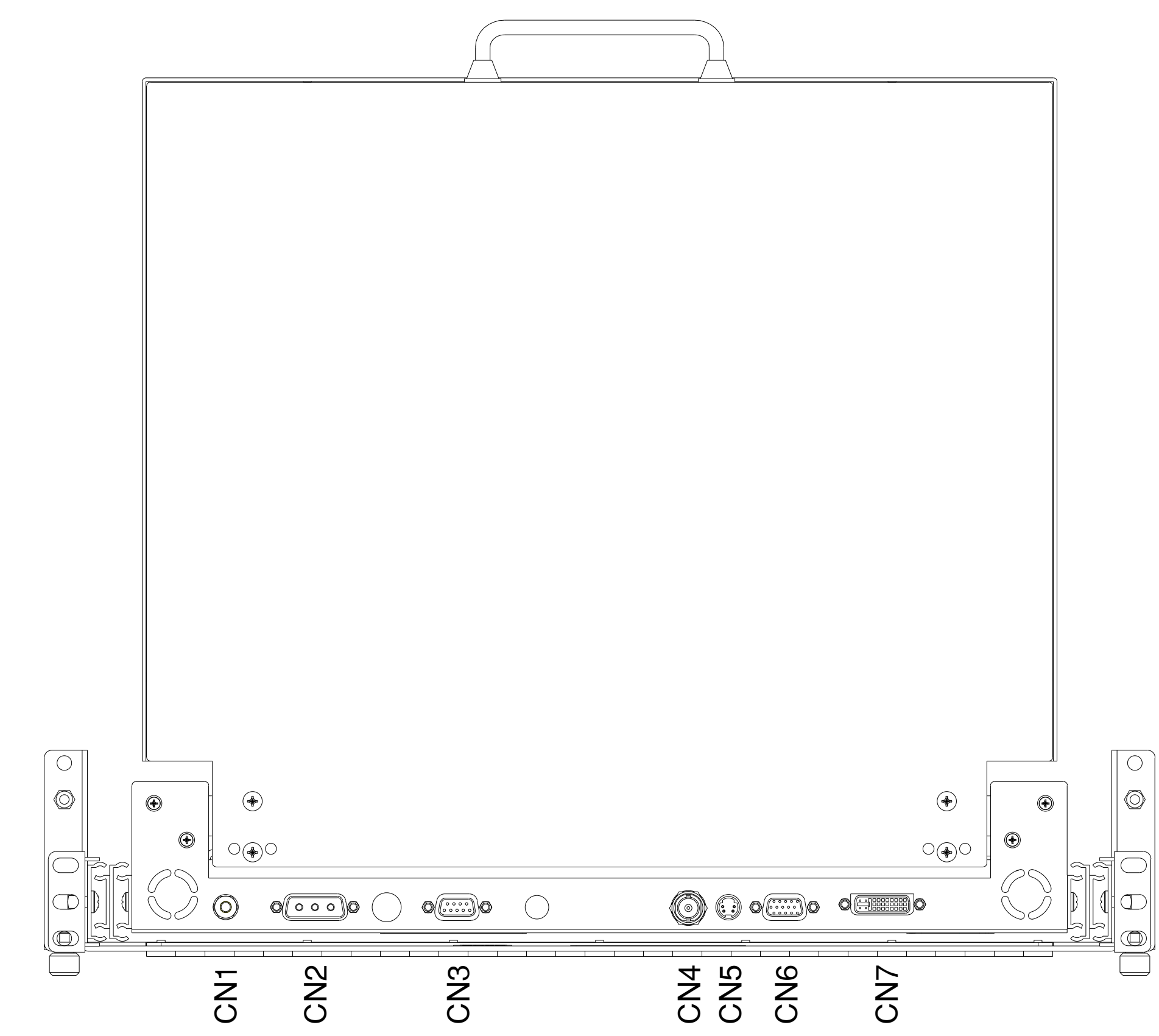
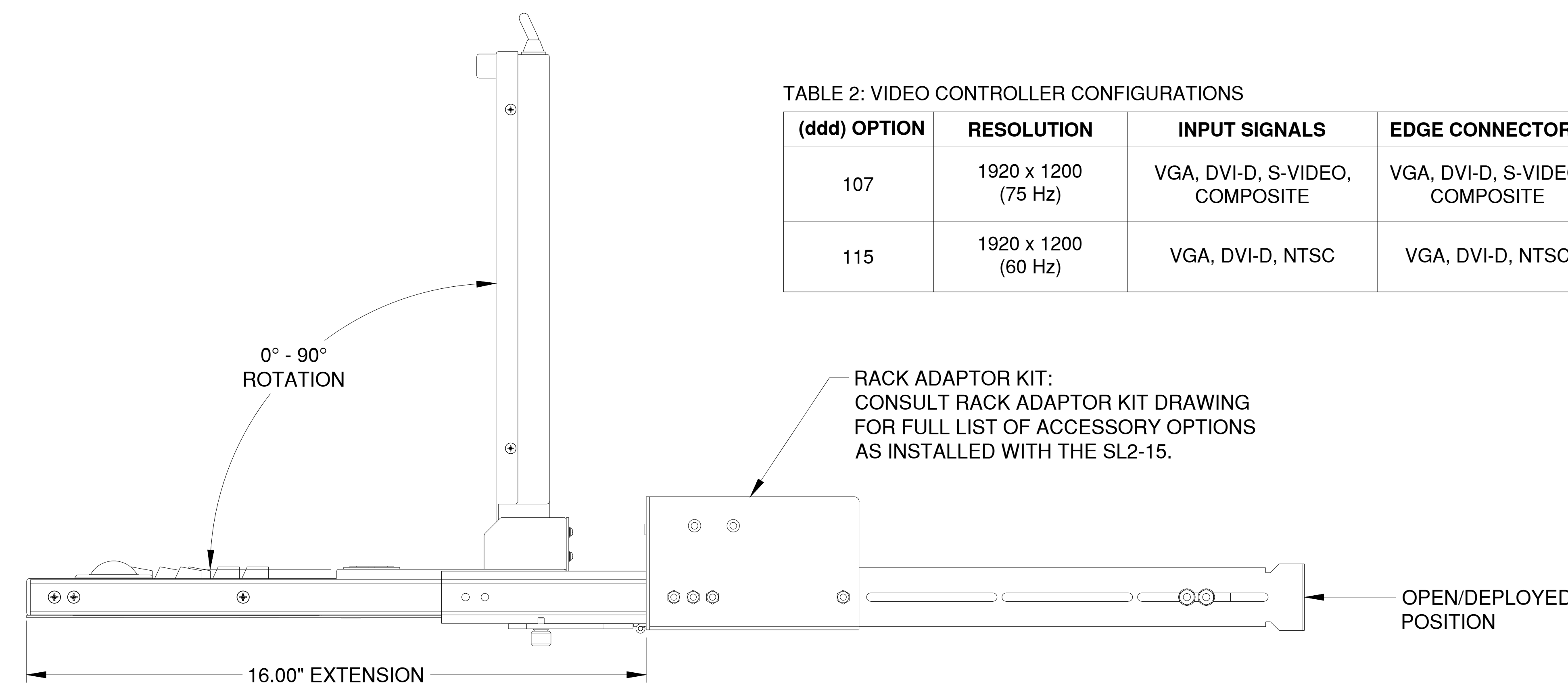


TABLE 1: POPULAR KEYBOARD CONFIGURATIONS

(ee) OPTION	KEYBOARD DESCRIPTION
51	82 KEYS, PS/2, INDUSTRIAL, WHITE KEYCAPS, 1 3/8" TRACKBALL
64	82 KEYS, IBM [PC] USB, INDUSTRIAL, BLACK KEYCAPS, 1 3/8" TRACKBALL
55	82 KEYS, PS/2, MILITARY, BLACK KEYCAPS, RED BACKLIGHT, 1 3/8" TRACKBALL
58	82 KEYS, IBM [PC] USB, MILITARY, BLACK KEYCAPS, RED BACKLIGHT, 1 3/8" TRACKBALL

THIS DOCUMENT CONTAINS PROPRIETARY INFORMATION OF GENERAL DIGITAL AND IS NOT TO BE DISCLOSED, REPRODUCED OR PUBLISHED WITHOUT WRITTEN CONSENT FROM GENERAL DIGITAL. THIS DOCUMENT MUST BE RENDERED ILLEGIBLE WHEN BEING DISCARDED. © COPYRIGHT 2013. ALL RIGHTS RESERVED.

UNLESS OTHERWISE SPECIFIED DIMENSIONS ARE IN INCHES
TOLERANCES ARE:
FRACTIONS DECIMALS ANGLES
±1/32 .X ±.050 ±0° 30'
.XX ±.031
.XXX±.020

CONNECTOR CHART**		
DESIGNATION	FUNCTION	TYPE
CN1	GROUND STUD	10-32 UNF-2A
CN2	+12VDC INPUT	DA-3W3-P
CN3	KEYBOARD/MOUSE	DE-9-S
CN4	COMPOSITE VIDEO INPUT	BNC STYLE
CN5	S-VIDEO INPUT	4 PIN MINI DIN
CN6	ANALOG VIDEO INPUT	DE-15-S
CN7	DVI VIDEO INPUT	DVI-D

MECHANICAL OUTLINE ONLY. SPECIFICATIONS SUBJECT TO CHANGE WITHOUT NOTICE. U.O.S. ALL DIMENSIONS ARE IN INCHES.

APPROVALS		DATE
DRAWN	G.L.	25-Sep-14
CHECKED	T.R.	
APPROVED	B.G.	

GD GENERAL DIGITAL

The Innovators of Flat Panel Technology
8 Nutmeg Road South, South Windsor, CT 06074
(860) 282-2900 www.GeneralDigital.com

SLIMLINE LITE II
15.0" XGA MONITOR/KEYBOARD

REV	DATE	ECN	DESCRIPTION	BY

**DIFFERENT CONNECTOR PANEL CONFIGURATIONS AVAILABLE.	DO NOT SCALE DRAWING	B	CAGE CODE 1JA77	DWG. NO. 14-100	REV -
---	----------------------	----------	--------------------	--------------------	----------