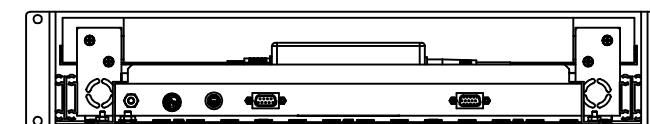
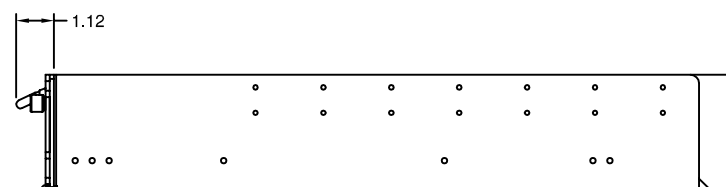
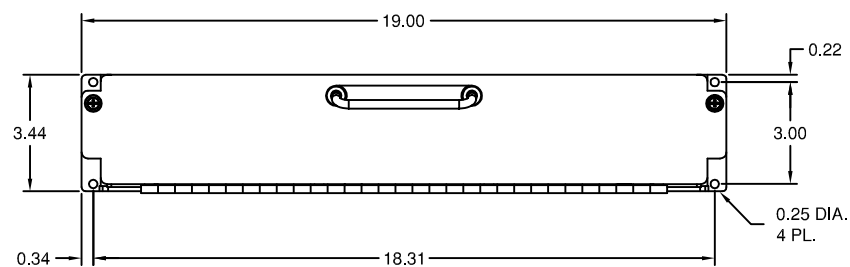
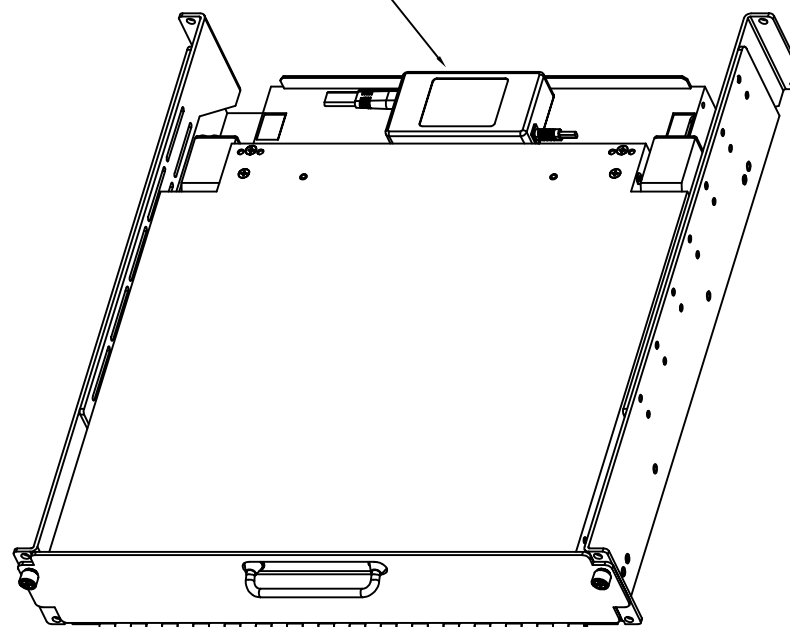
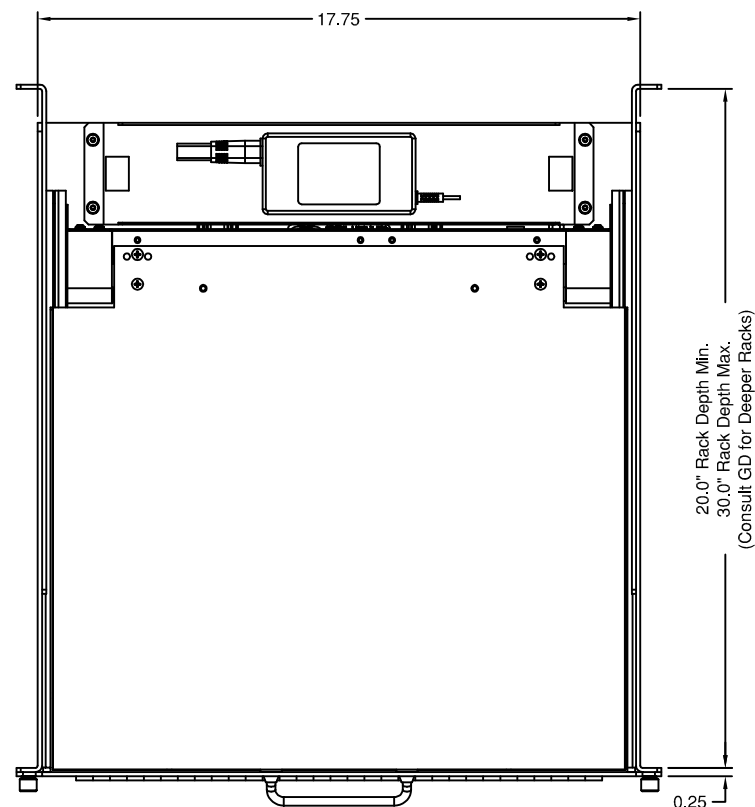


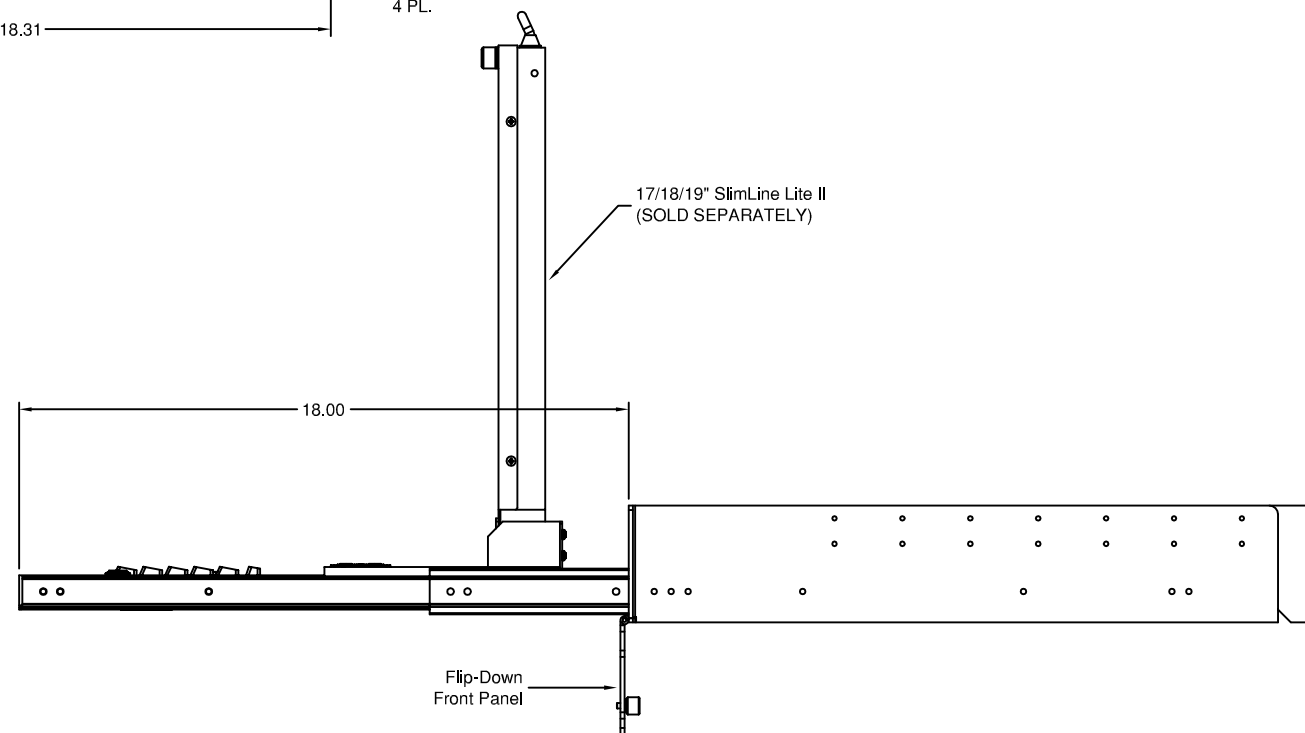
THIS DOCUMENT CONTAINS PROPRIETARY INFORMATION OF GENERAL DIGITAL AND IS NOT TO BE DISCLOSED, REPRODUCED OR PUBLISHED WITHOUT WRITTEN CONSENT FROM GENERAL DIGITAL. THIS DOCUMENT MUST BE RENDERED ILLEGIBLE WHEN BEING DISCARDED. © COPYRIGHT 2002. ALL RIGHTS RESERVED.

90-753

Power Supply Kit  
(SOLD SEPARATELY)



17/18/19" SlimLine Lite II  
(SOLD SEPARATELY)



MECHANICAL OUTLINE ONLY SPECIFICATIONS SUBJECT TO CHANGE WITHOUT NOTICE	
APPROVALS	DATE
DRAWN C.P.	14-Jan-02
CHECKED T.R.	14-Jan-02
APPROVED B.G.	14-Jan-02
DO NOT SCALE DRAWING	

**GD GENERAL DIGITAL**

*The Innovators of Flat Panel Displays and Systems*  
8 Nutmeg Road South, South Windsor, CT. 06074  
(860) 282-2900 www.GenDig.com

SlimLine Lite II - 17/18/19" Series  
19" Rack Mount Adaptor Kit

B	CAGE CODE	DWG. NO.	REV
	1JA77	02-08	C