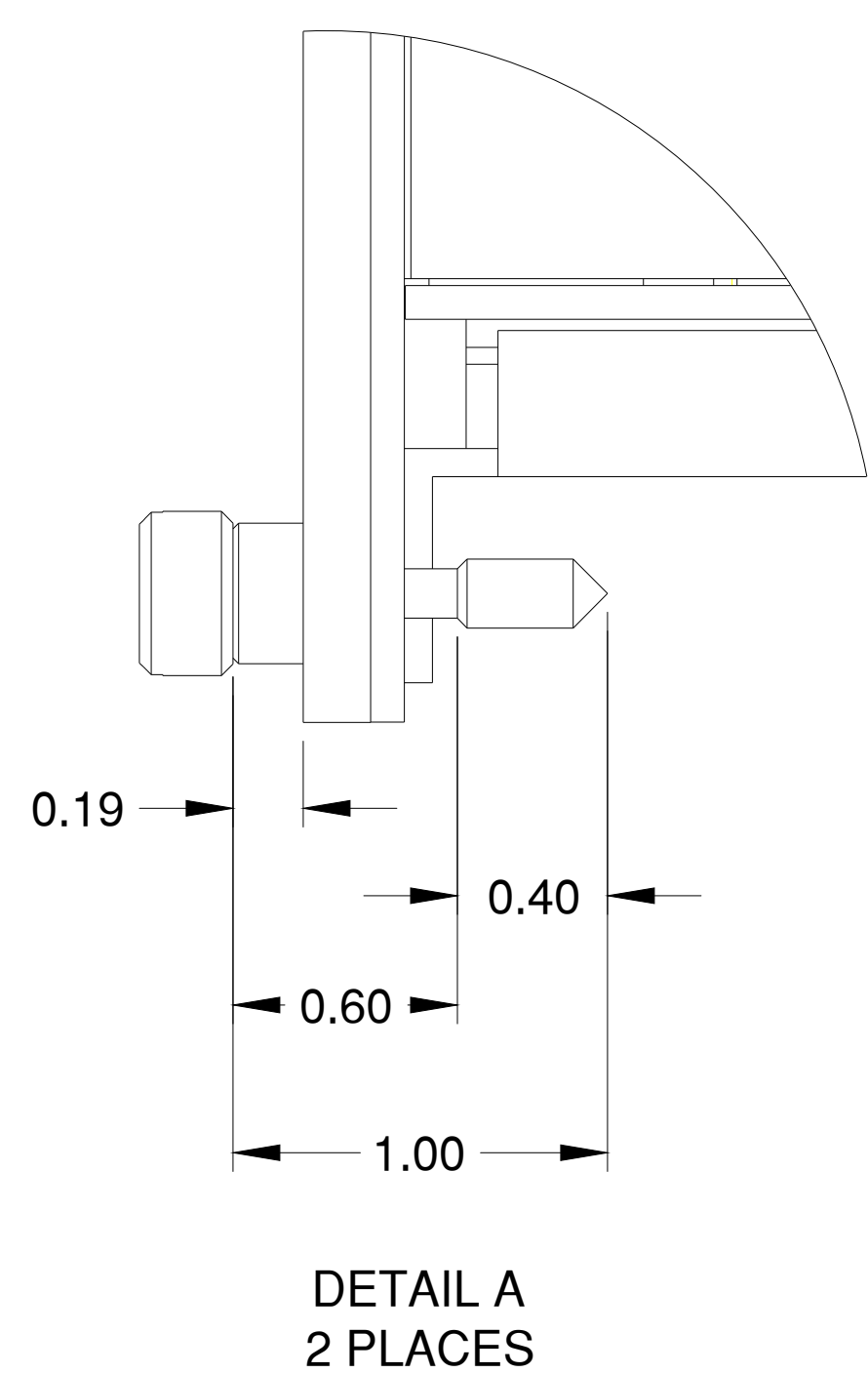


(X) OPTION	UNIT DESCRIPTION
-	SLIMLINE 1U
D	SLIMLINE 1U DAYLIGHT READABLE
S	SLIMLINE 1U SOLAR
SN	SLIMLINE 1U SOLAR/NVIS

(X)SL1-17D-cccc-ddd-ee-02-02-0092-000



SEE TABLE 1 FOR POPULAR KEYBOARD (ee) CONFIGURATIONS

SEE DETAIL A

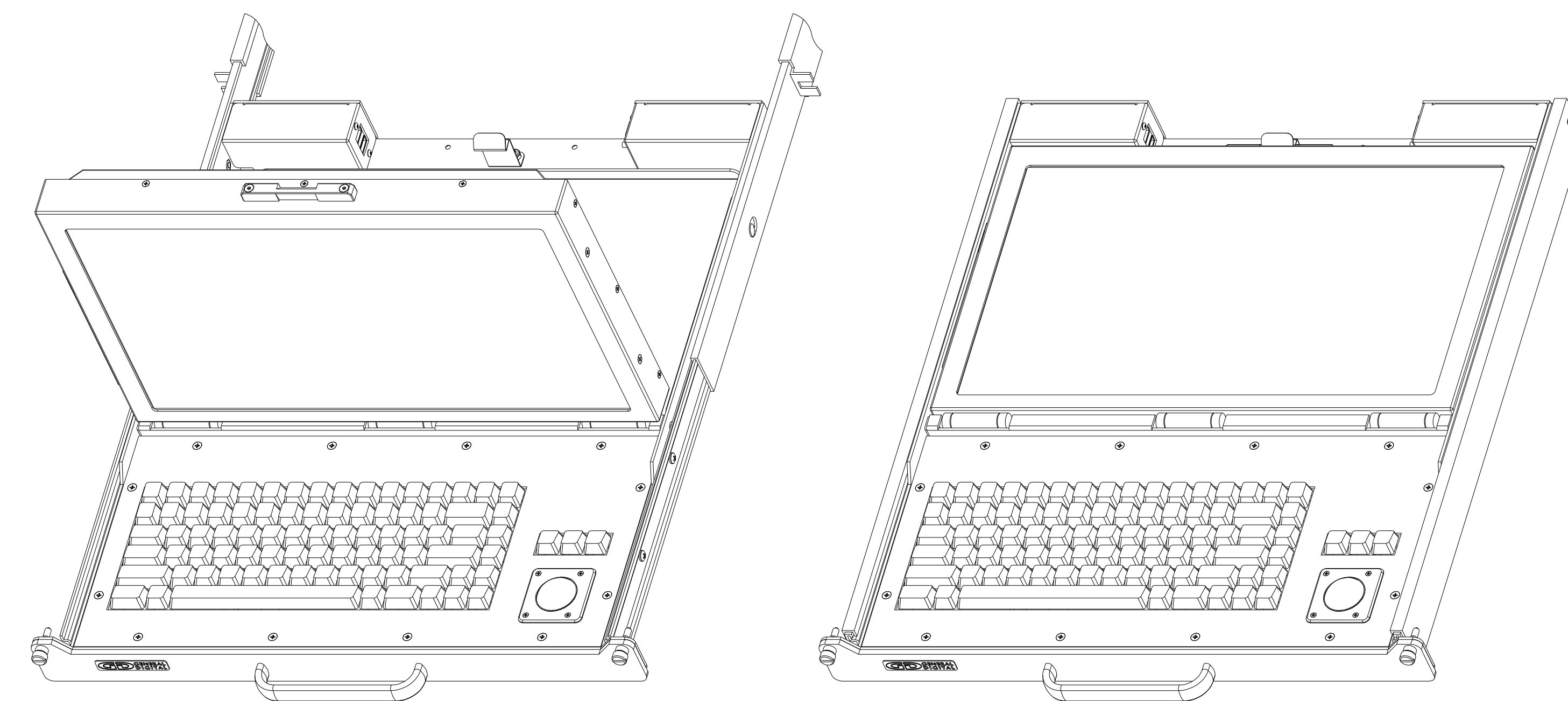
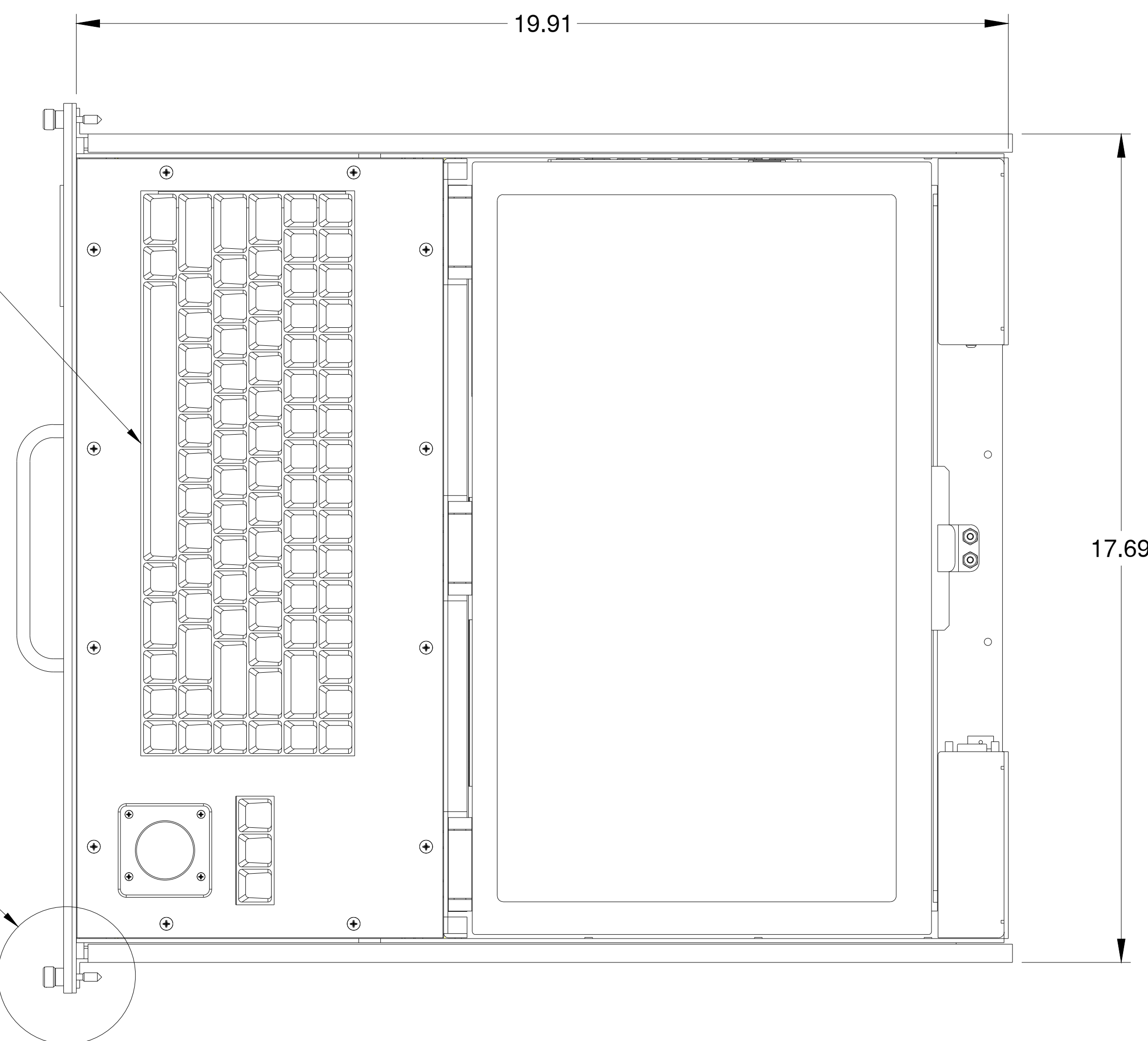


TABLE 2: VIDEO CONTROLLER CONFIGURATIONS

(ddd) OPTION	RESOLUTION	INPUT SIGNALS	EDGE CONNECTORS
107	1920 x 1200 (75 Hz)	VGA, DVI-D, COMPOSITE	VGA, DVI-D, COMPOSITE
115	1920 x 1200 (60 Hz)	VGA, DVI-D, NTSC	VGA, DVI-D, NTSC

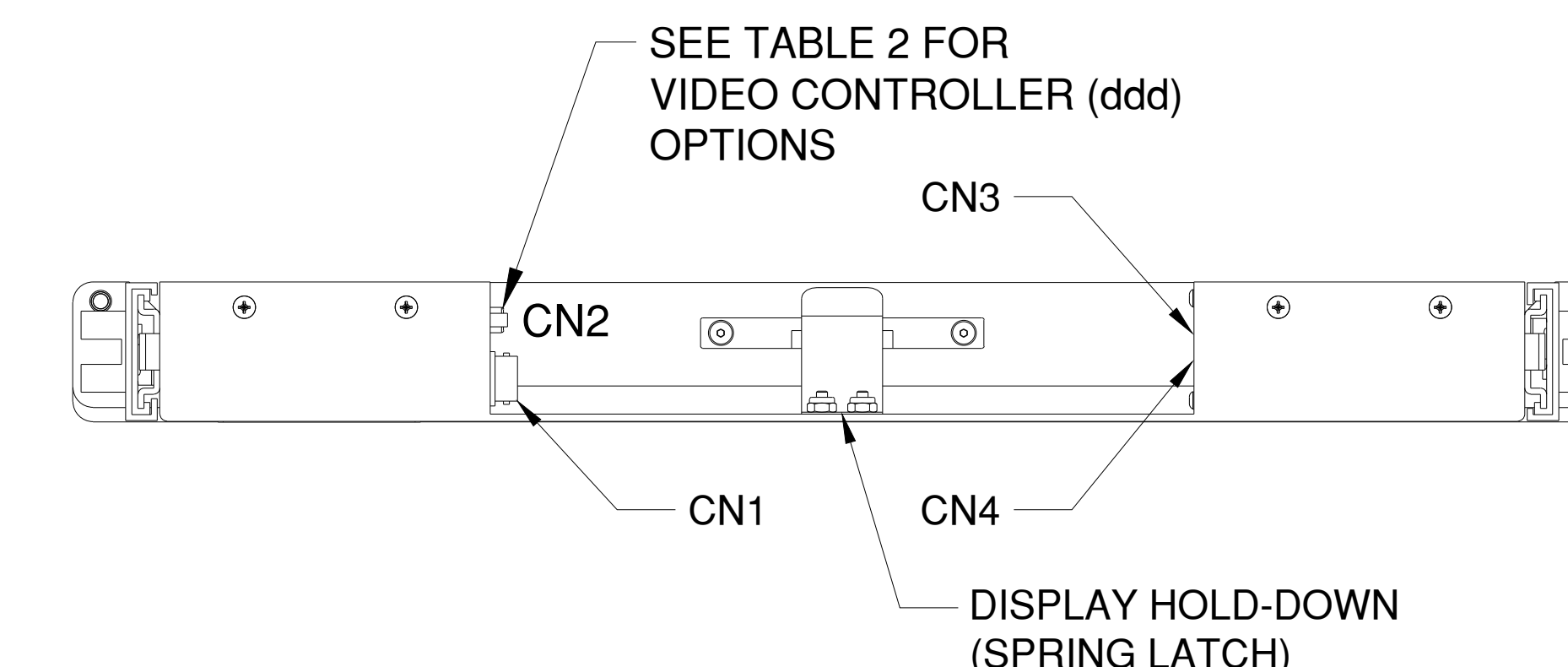
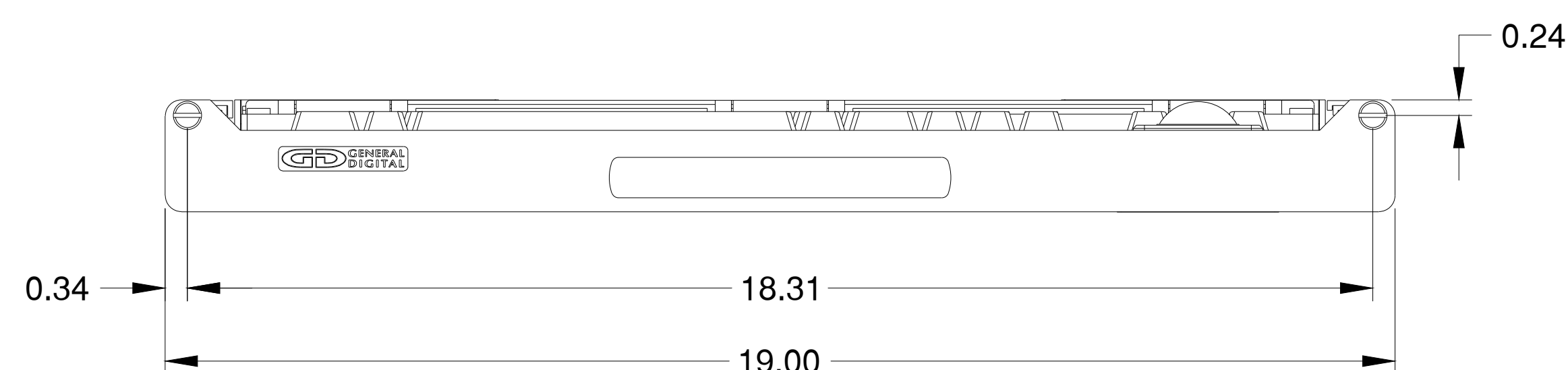
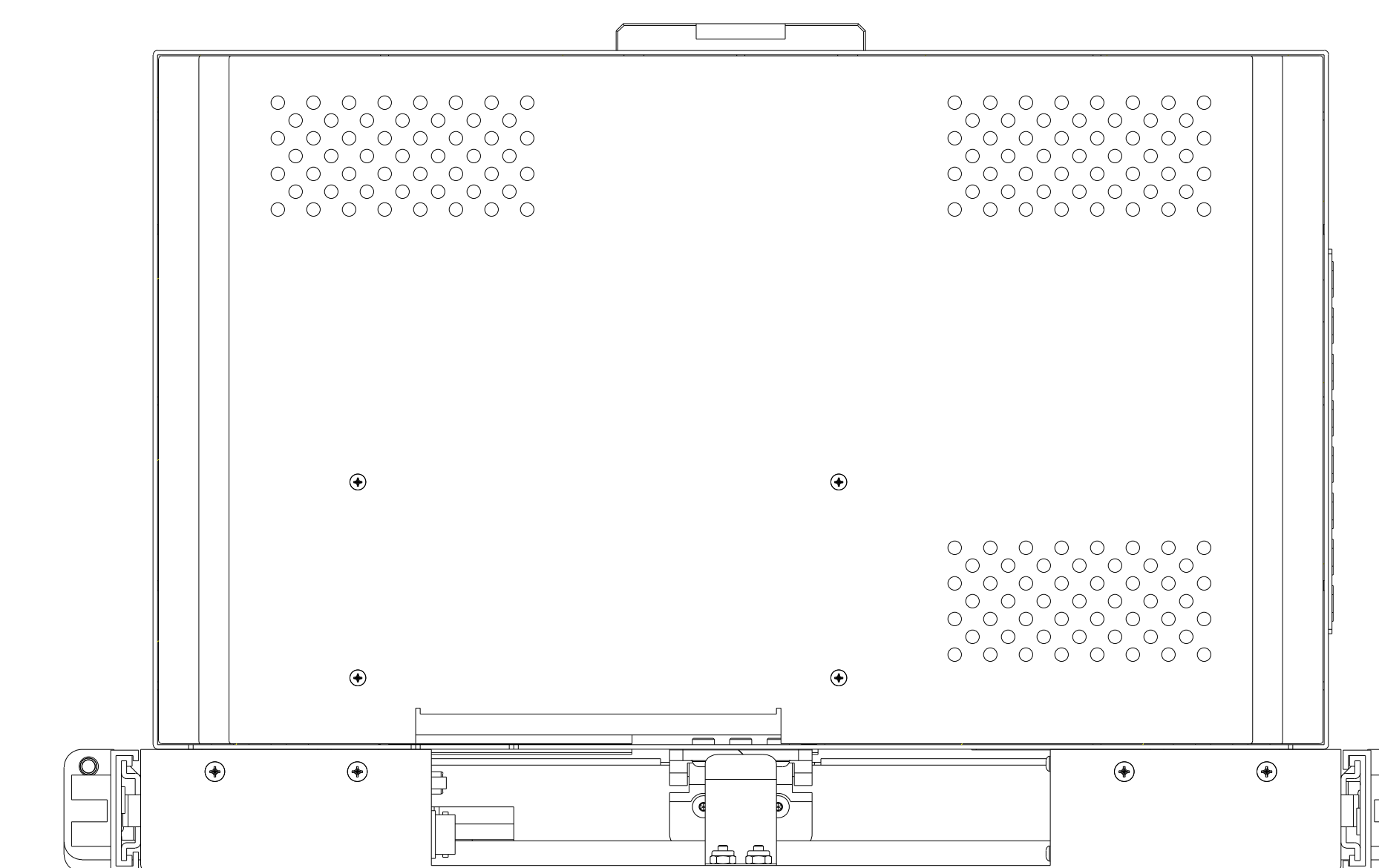
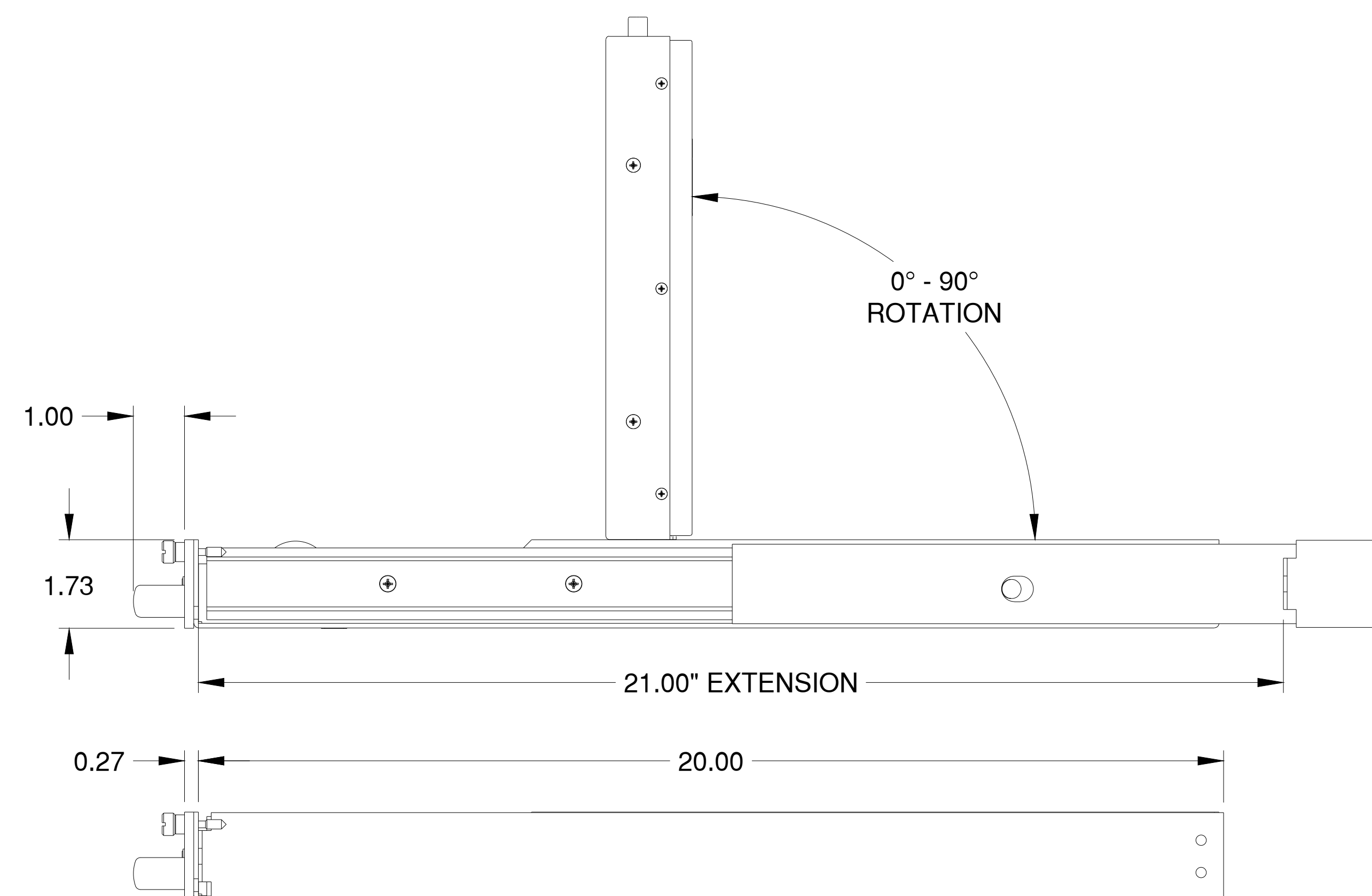
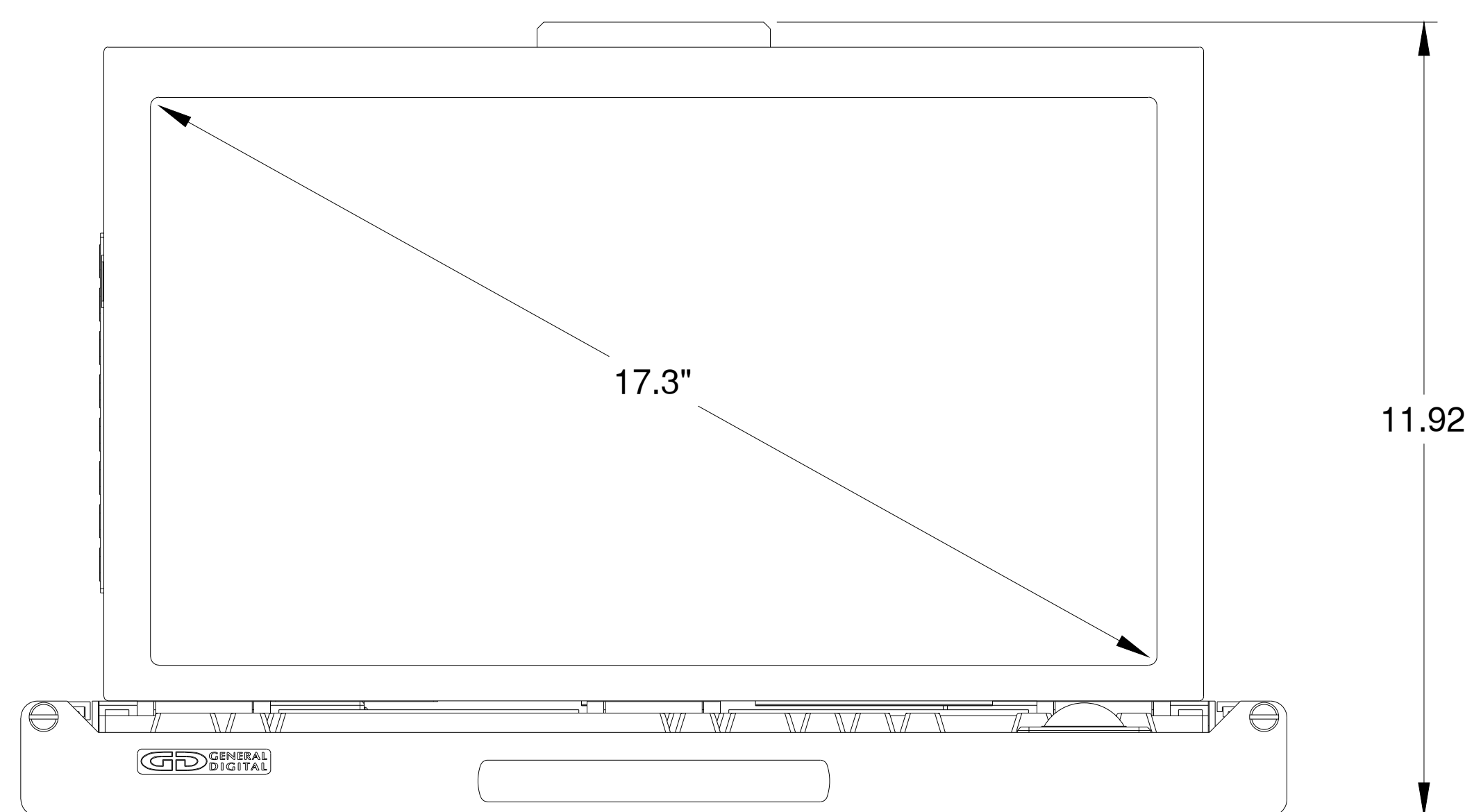


TABLE 1: POPULAR KEYBOARD CONFIGURATIONS

(ee) OPTION	KEYBOARD DESCRIPTION
51	82 KEYS, PS/2, INDUSTRIAL, WHITE KEYCAPS, 1 3/8" TRACKBALL
64	82 KEYS, IBM [PC] USB, INDUSTRIAL, BLACK KEYCAPS, 1 3/8" TRACKBALL
55	82 KEYS, PS/2, MILITARY, BLACK KEYCAPS, RED BACKLIGHT, 1 3/8" TRACKBALL
58	82 KEYS, IBM [PC] USB, MILITARY, BLACK KEYCAPS, RED BACKLIGHT, 1 3/8" TRACKBALL

THIS DOCUMENT CONTAINS PROPRIETARY INFORMATION OF GENERAL DIGITAL AND IS NOT TO BE DISCLOSED, REPRODUCED OR PUBLISHED WITHOUT WRITTEN CONSENT FROM GENERAL DIGITAL. THIS DOCUMENT MUST BE RENDERED ILLEGIBLE WHEN BEING DISCARDED. © COPYRIGHT 2012. ALL RIGHTS RESERVED.

UNLESS OTHERWISE SPECIFIED DIMENSIONS ARE IN INCHES
TOLERANCES ARE:
FRACTIONS DECIMALS ANGLES
±1/32 .X ±.050 ±0° 30'
.XX ±.031
.XXX±.020

CONNECTOR CHART**		
DESIGNATION	FUNCTION	TYPE
CN1	+12 VDC INPUT	6-PIN HIROSE
CN2	ANALOG VIDEO INPUT	DE-15-S
CN3	KEYBOARD (TOP)	USB TYPE A
CN4	TRACKBALL (BOTTOM)	USB TYPE A

**DIFFERENT CONNECTOR PANEL CONFIGURATIONS AVAILABLE.

MECHANICAL OUTLINE ONLY. SPECIFICATIONS SUBJECT TO CHANGE WITHOUT NOTICE. U.O.S. ALL DIMENSIONS ARE IN INCHES.

APPROVALS		DATE
DRAWN	G.L.	23-Sep-14
CHECKED	T.R.	
APPROVED	B.G.	

DO NOT SCALE DRAWING



The Innovators of Flat Panel Technology
8 Nutmeg Road South, South Windsor, CT 06074
(860) 282-2900 www.GeneralDigital.com

SLIMLINE 1U
17.3" WUXGA MONITOR/KEYBOARD

REV	DATE	ECN	DESCRIPTION	BY

B	CAGE CODE	DWG. NO.	REV
	1JA77	14-97	-