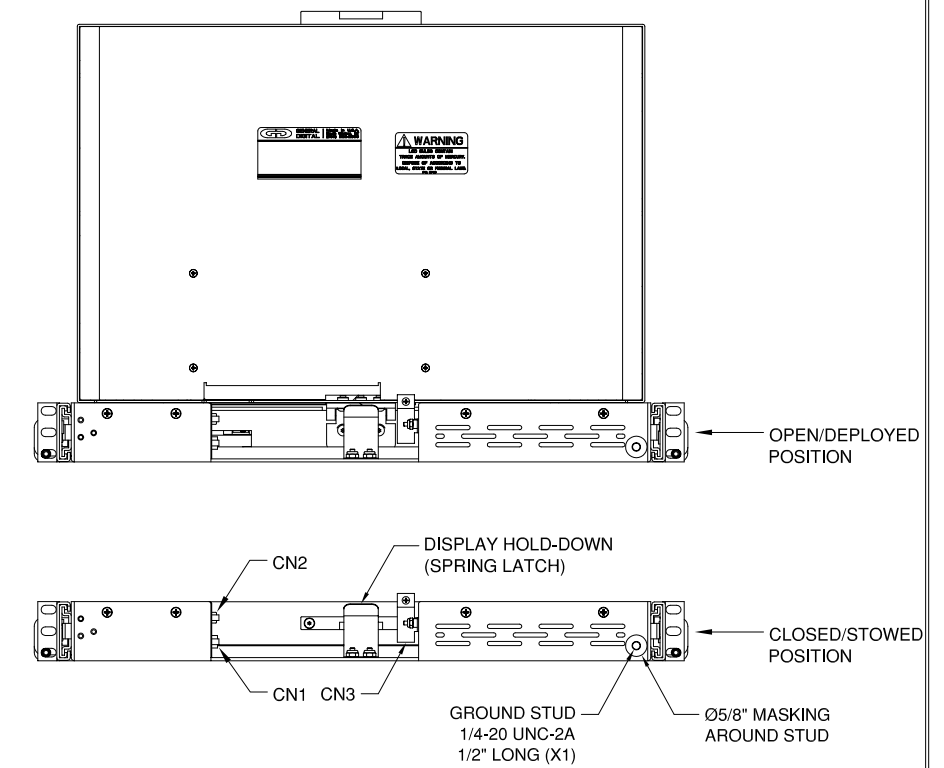
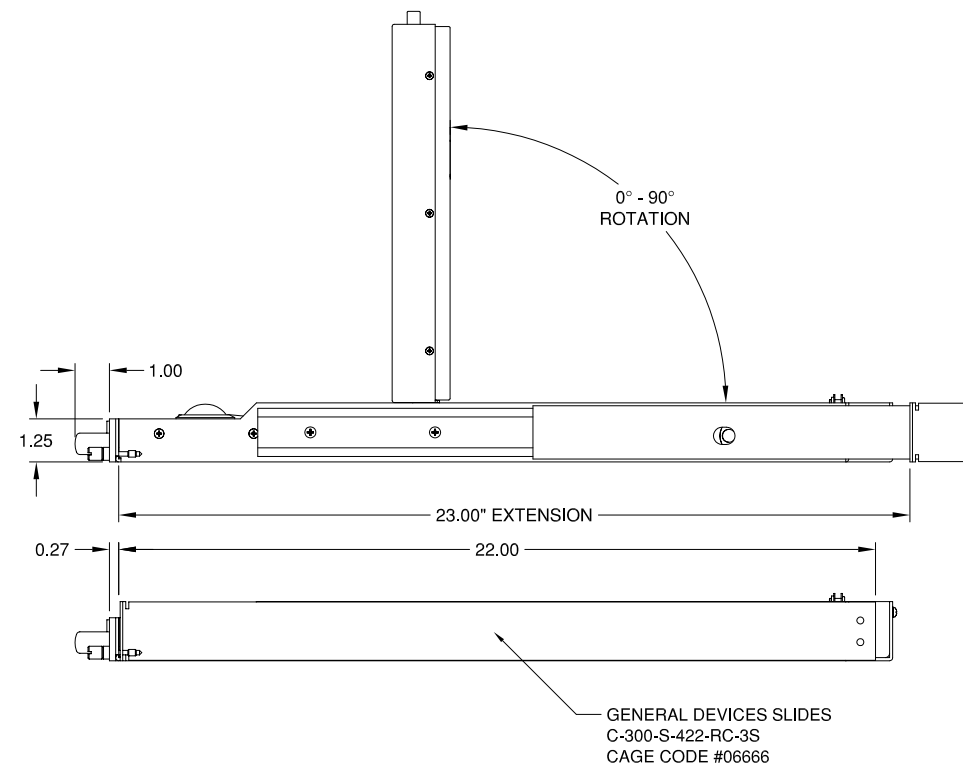
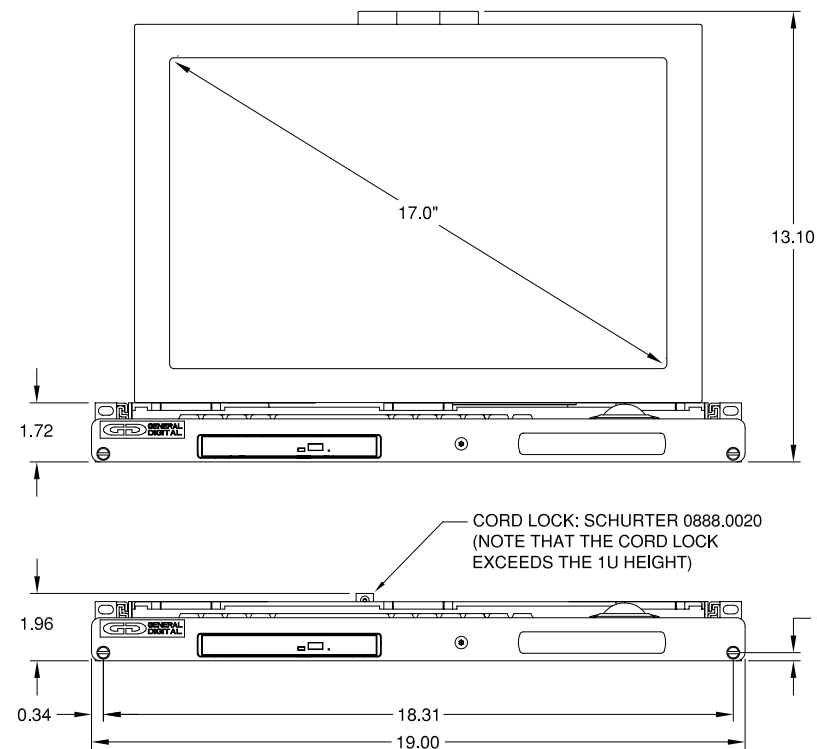
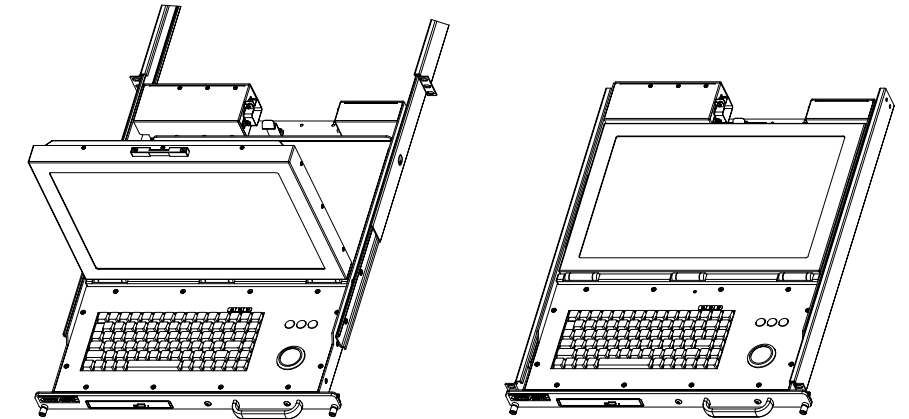
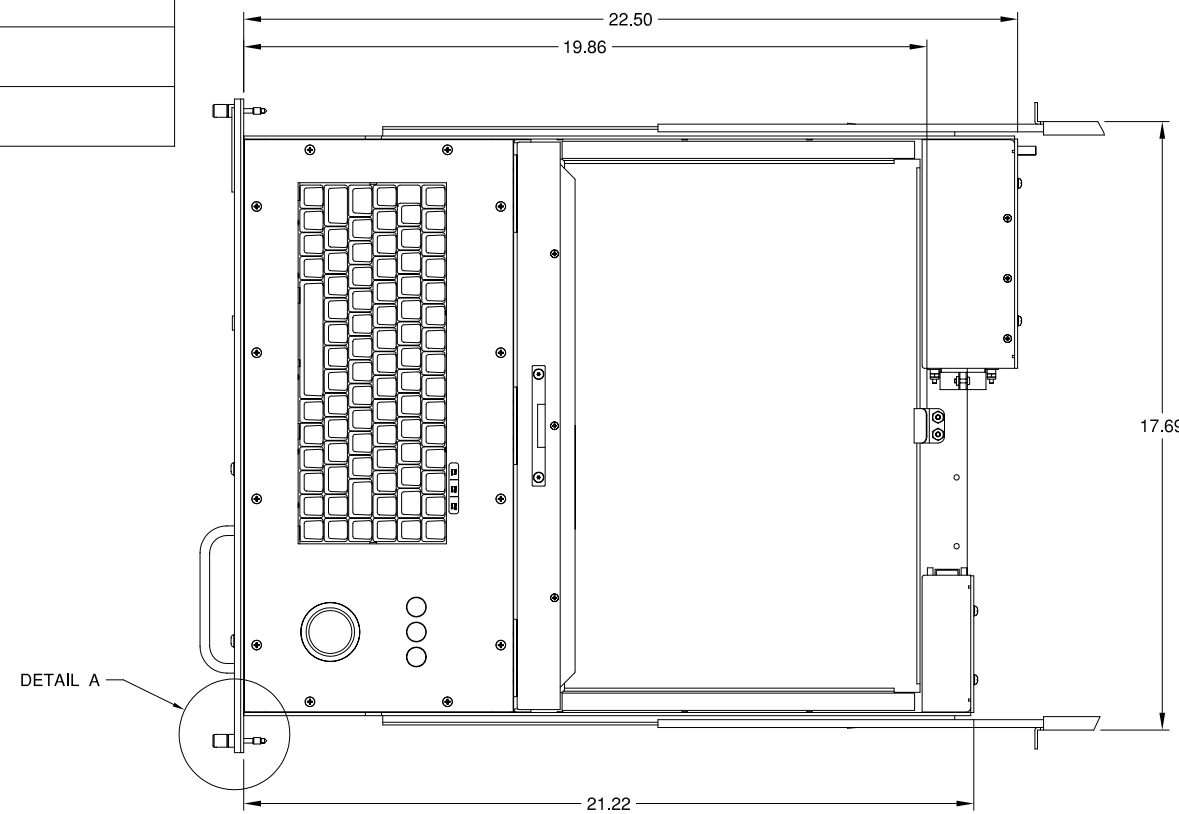
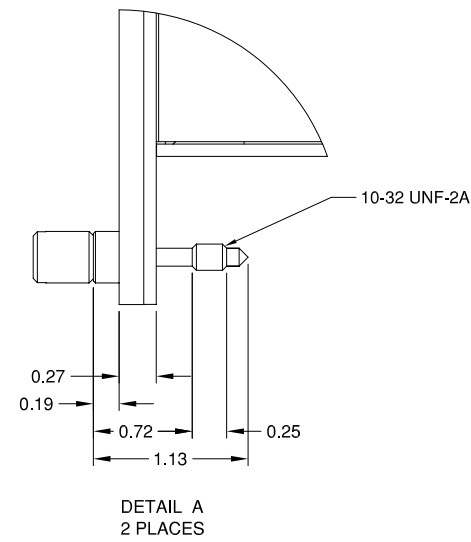


CUSTOMER APPROVAL

COMPANY	NAME (PRINT)
DATE	SIGNATURE

SL1-17B-523-31-48-02-02-IA30-108



REV	DATE	ECN	DESCRIPTION	BY
C	02-Apr-12	E003100	CHANGED AC CORD LOCK PER CUSTOMER REQUEST	CP
B	28-Jul-10	E002651	CHANGED & MOVED HANDLE, ADDED GROUND STUD	CP
A1	18-Mar-10	-	ADDED DETAIL "A" & SLIDE INFO	CP
A	03-Mar-10	E002592	CHANGED SLIDES FROM 24.0" TO 22.0"	CP

THIS DOCUMENT CONTAINS PROPRIETARY INFORMATION OF GENERAL DIGITAL AND IS NOT TO BE DISCLOSED, REPRODUCED OR PUBLISHED WITHOUT WRITTEN CONSENT FROM GENERAL DIGITAL. THIS DOCUMENT MUST BE RENDERED ILLEGIBLE WHEN BEING DISCARDED. © COPYRIGHT 2009. ALL RIGHTS RESERVED.

UNLESS OTHERWISE SPECIFIED DIMENSIONS ARE IN INCHES
TOLERANCES ARE:
FRACTIONS DECIMALS ANGLES
±1/32 .X ±.050 ±0° 30'
.XX ±.031
.XXX±.020

CONNECTOR CHART		
DESIGNATION	FUNCTION	TYPE
CN1	USB INPUT	DE-9-S
CN2	ANALOG VIDEO INPUT	DE-15-S
CN3	AC INPUT	IEC-320

MECHANICAL OUTLINE ONLY. SPECIFICATIONS SUBJECT TO CHANGE WITHOUT NOTICE. U.O.S. ALL DIMENSIONS ARE IN INCHES.

APPROVALS		DATE
DRAWN	C.P.	25-Jan-10
CHECKED	T.R.	25-Jan-10
APPROVED	B.G.	25-Jan-10

DO NOT SCALE DRAWING

GENERAL DIGITAL
The Innovators of Flat Panel Technology
8 Nutmeg Road South, South Windsor, CT 06074
(860) 282-2900 www.GeneralDigital.com

SlimLine 1U
17.0" WXGA+ FLAT PANEL MONITOR

B	CAGE CODE 1JA77	DWG. NO. 10-01	REV C
----------	--------------------	-------------------	----------