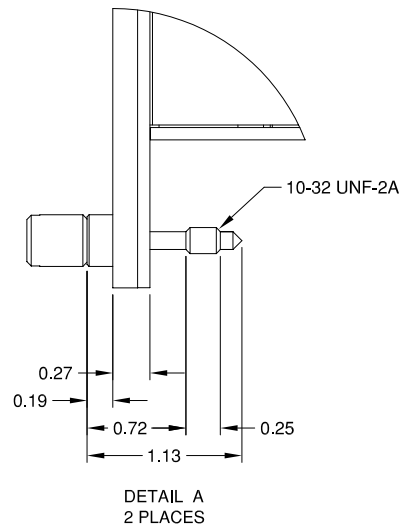


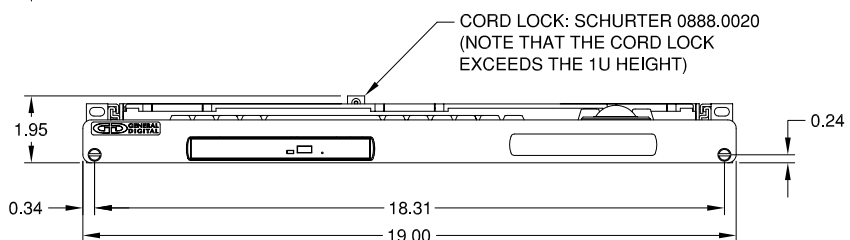
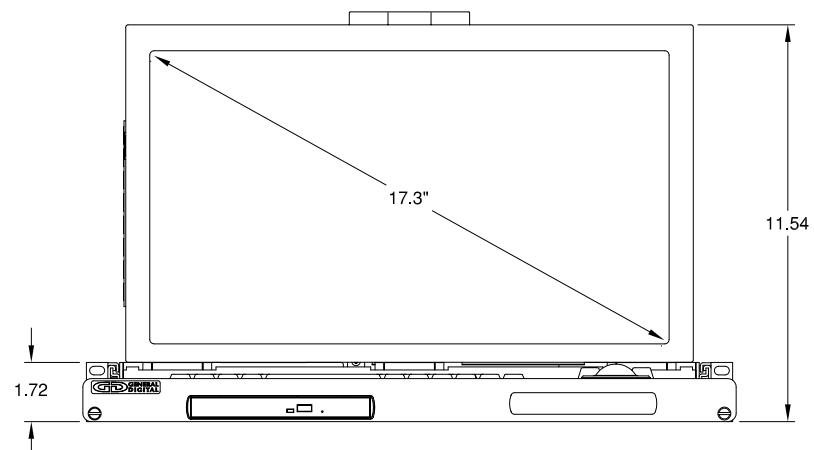
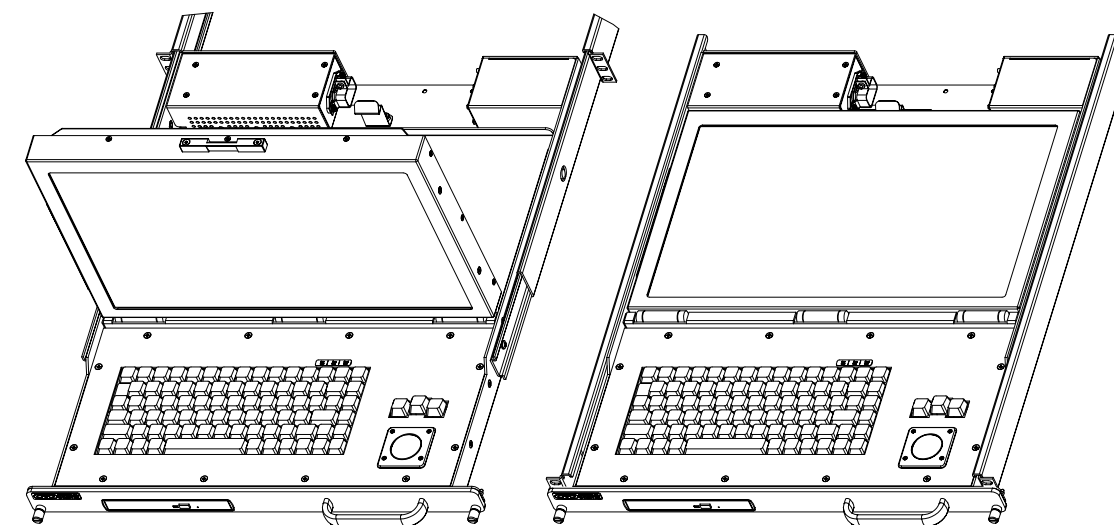
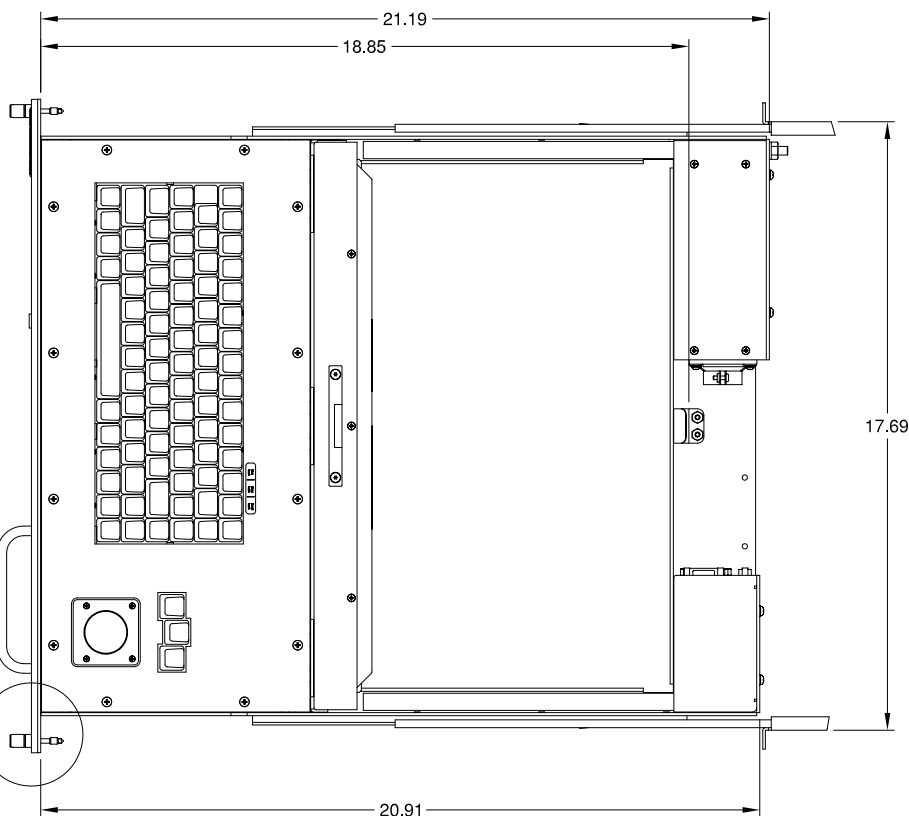
CUSTOMER APPROVAL

| | |
|---------|--------------|
| COMPANY | NAME (PRINT) |
| DATE | SIGNATURE |

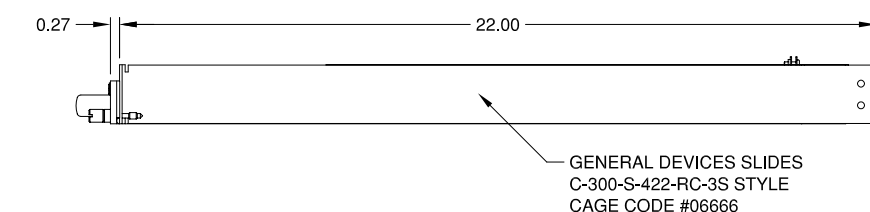
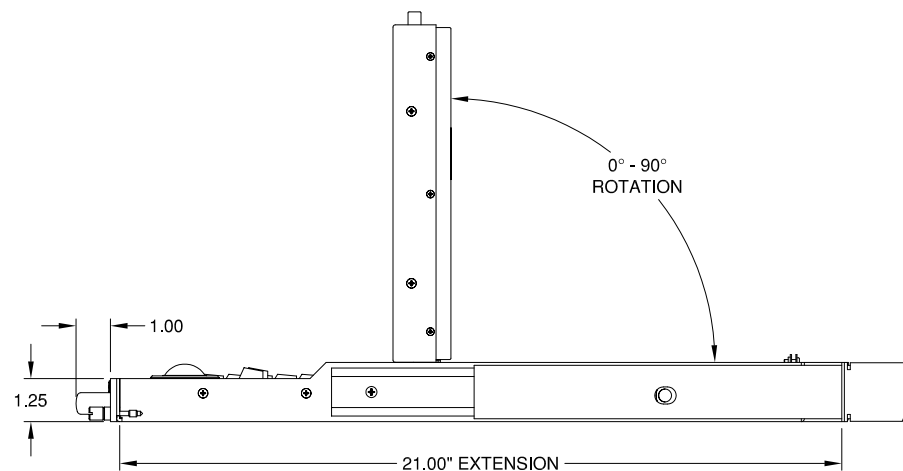
SL1-17D-524-64-48-02-02-IA18-147



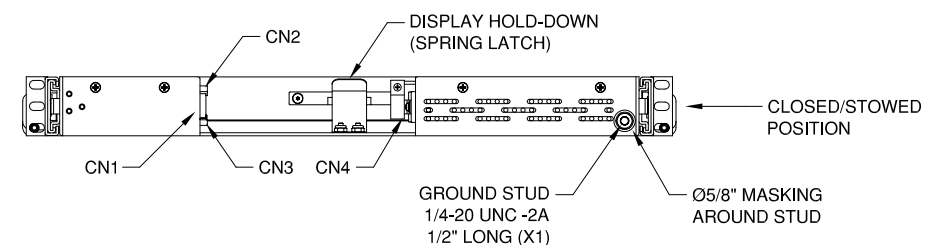
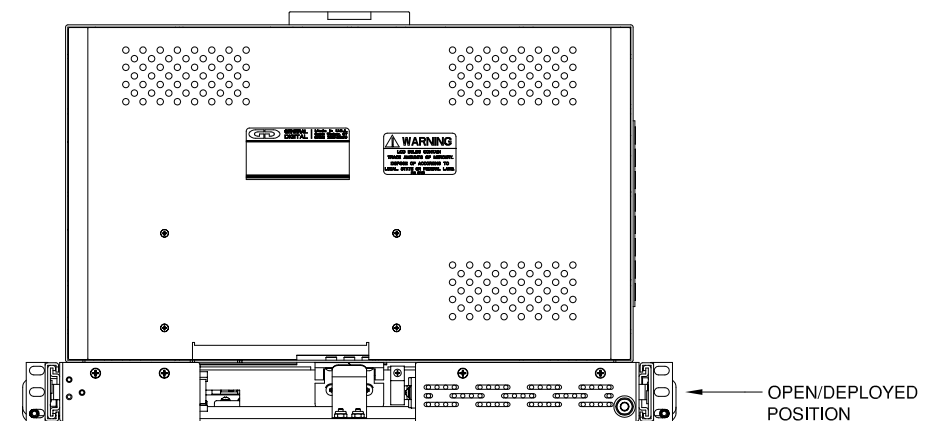
SEE DETAIL A



CORD LOCK: SCHURTER 0888.0020
(NOTE THAT THE CORD LOCK EXCEEDS THE 1U HEIGHT)



GENERAL DEVICES SLIDES
C-300-S-422-RC-3S STYLE
CAGE CODE #06666



THIS DOCUMENT CONTAINS PROPRIETARY INFORMATION OF GENERAL DIGITAL AND IS NOT TO BE DISCLOSED, REPRODUCED OR PUBLISHED WITHOUT WRITTEN CONSENT FROM GENERAL DIGITAL. THIS DOCUMENT MUST BE RENDERED ILLEGIBLE WHEN BEING DISCARDED. © COPYRIGHT 2012. ALL RIGHTS RESERVED.

UNLESS OTHERWISE SPECIFIED DIMENSIONS ARE IN INCHES TOLERANCES ARE:
FRACTIONS DECIMALS ANGLES
±1/32 .X ±.050 ±0° 30'
.XX ±.031
.XXX±.020

| CONNECTOR CHART | | |
|-----------------|--------------------|---------|
| DESIGNATION | FUNCTION | TYPE |
| CN1 | USB INPUT | DE-9-P |
| CN2 | ANALOG VIDEO INPUT | DE-15-S |
| CN3 | DVI-D VIDEO INPUT | DVI-D |
| CN4 | AC INPUT | IEC-320 |

MECHANICAL OUTLINE ONLY. SPECIFICATIONS SUBJECT TO CHANGE WITHOUT NOTICE. U.O.S. ALL DIMENSIONS ARE IN INCHES.

| APPROVALS | | DATE |
|-----------|------|-----------|
| DRAWN | C.P. | 23-Jan-13 |
| CHECKED | T.R. | 23-Jan-13 |
| APPROVED | B.G. | 23-Jan-13 |

DO NOT SCALE DRAWING

GENERAL DIGITAL
The Innovators of Flat Panel Technology
8 Nutmeg Road South, South Windsor, CT 06074
(860) 282-2900 www.GeneralDigital.com

SlimLine 1U
17.3" WUXGA FLAT PANEL MONITOR

| | | | |
|----------|--------------------|-------------------|-----------|
| B | CAGE CODE 1JA77 | DWG. NO. 13-06 | REV A1 |
|----------|--------------------|-------------------|-----------|

| REV | DATE | ECN | DESCRIPTION | BY |
|-----|-----------|---------|--|----|
| A1 | 15-Feb-13 | E003370 | UPDATED CONNECTOR CHART & POWER SUPPLY | CP |