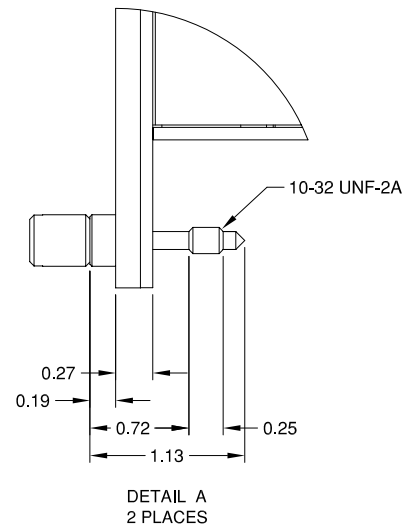


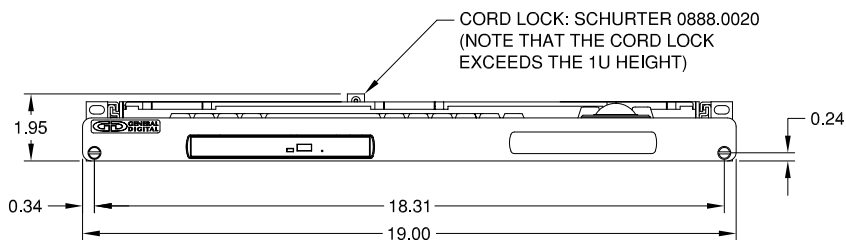
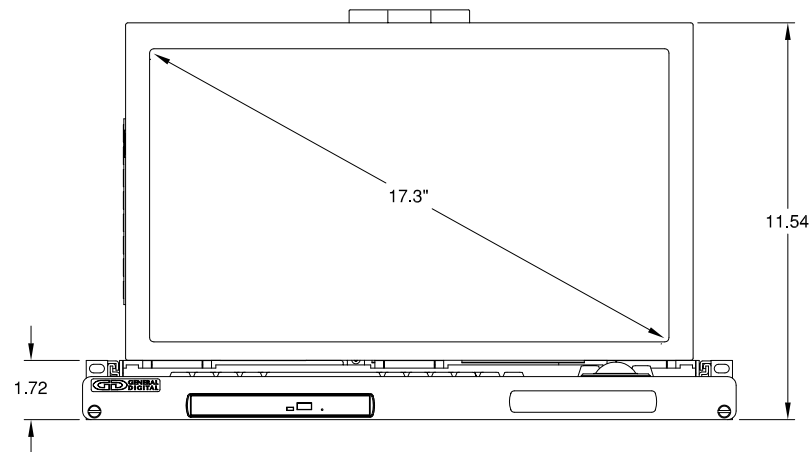
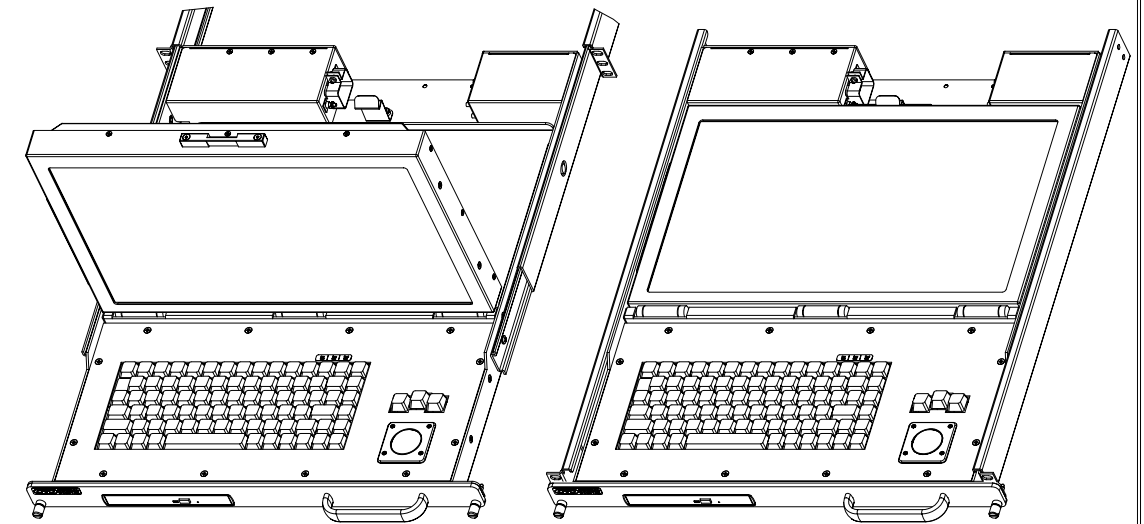
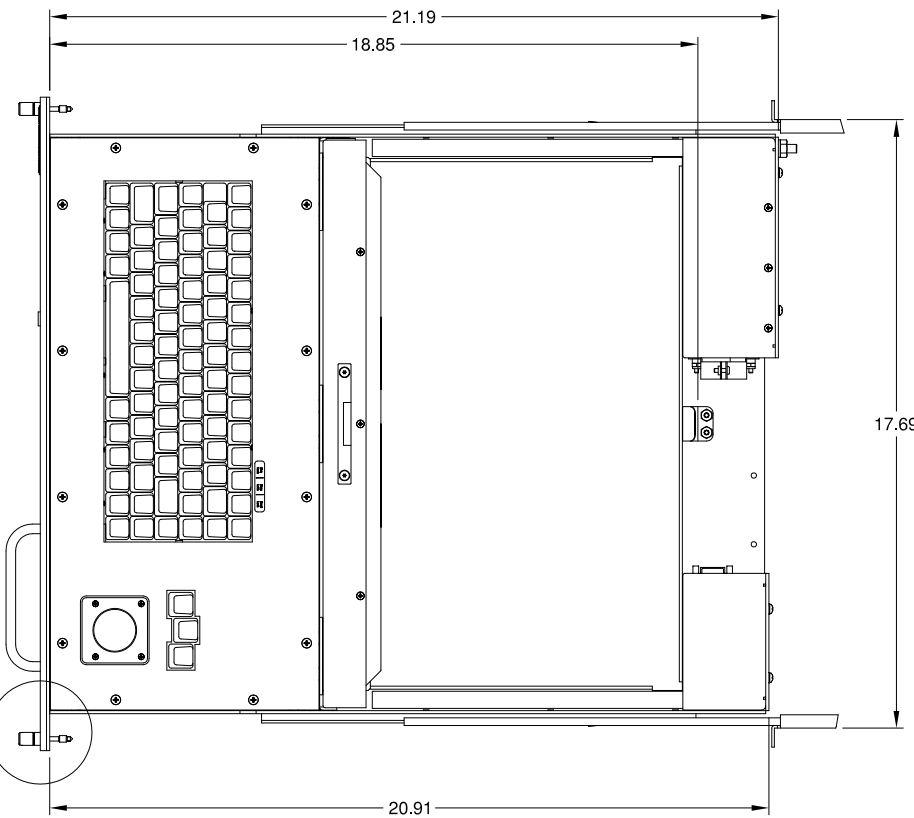
CUSTOMER APPROVAL

COMPANY	NAME (PRINT)
DATE	SIGNATURE

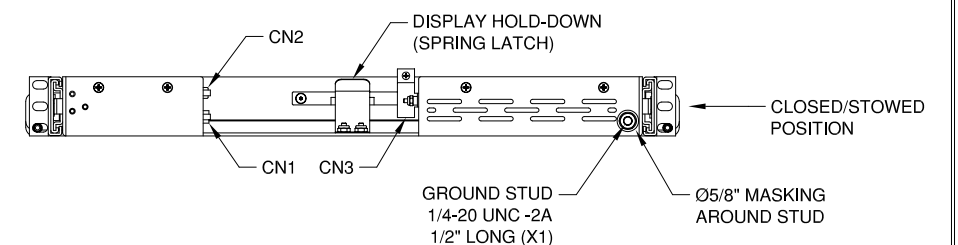
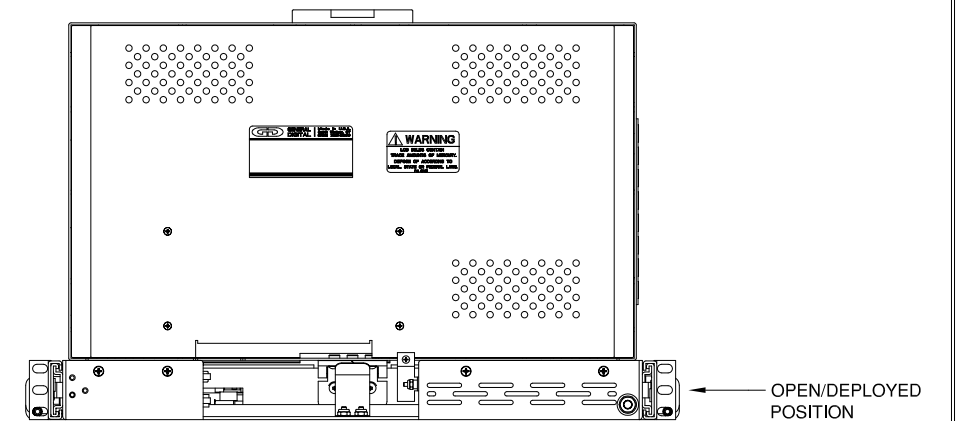
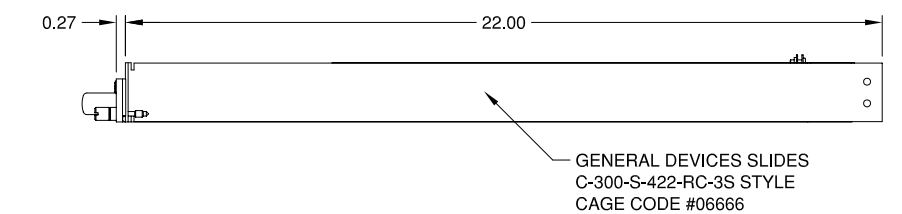
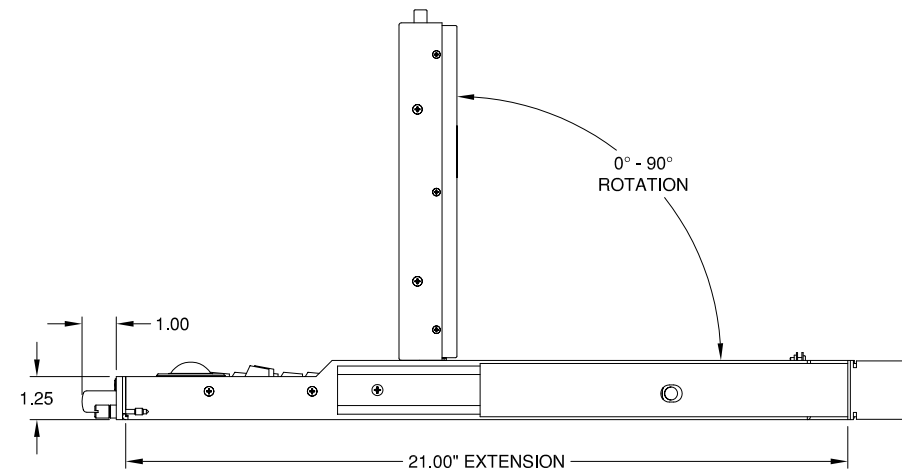
SL1-17D-524-61-46-02-02-IA30-108



SEE DETAIL A



CORD LOCK: SCHURTER 0888.0020
(NOTE THAT THE CORD LOCK EXCEEDS THE 1U HEIGHT)



THIS DOCUMENT CONTAINS PROPRIETARY INFORMATION OF GENERAL DIGITAL AND IS NOT TO BE DISCLOSED, REPRODUCED OR PUBLISHED WITHOUT WRITTEN CONSENT FROM GENERAL DIGITAL. THIS DOCUMENT MUST BE RENDERED ILLEGIBLE WHEN BEING DISCARDED. © COPYRIGHT 2012. ALL RIGHTS RESERVED.

UNLESS OTHERWISE SPECIFIED DIMENSIONS ARE IN INCHES TOLERANCES ARE:
FRACTIONS DECIMALS ANGLES
±1/32 .X ±.050 ±0° 30'
.XX ±.031
.XXX±.020

CONNECTOR CHART

DESIGNATION	FUNCTION	TYPE
CN1	USB INPUT	DE-9-S
CN2	ANALOG VIDEO INPUT	DE-15-S
CN3	AC INPUT	IEC-320

MECHANICAL OUTLINE ONLY. SPECIFICATIONS SUBJECT TO CHANGE WITHOUT NOTICE. U.O.S. ALL DIMENSIONS ARE IN INCHES.

APPROVALS	DATE
DRAWN C.P.	04-Oct-12
CHECKED T.R.	04-Oct-12
APPROVED B.G.	04-Oct-12

DO NOT SCALE DRAWING



The Innovators of Flat Panel Technology
8 Nutmeg Road South, South Windsor, CT 06074
(860) 282-2900 www.GeneralDigital.com

SlimLine 1U
17.3" WUXGA FLAT PANEL MONITOR

REV	DATE	ECN	DESCRIPTION	BY

B	CAGE CODE	DWG. NO.	REV
	1JA77	12-54	-