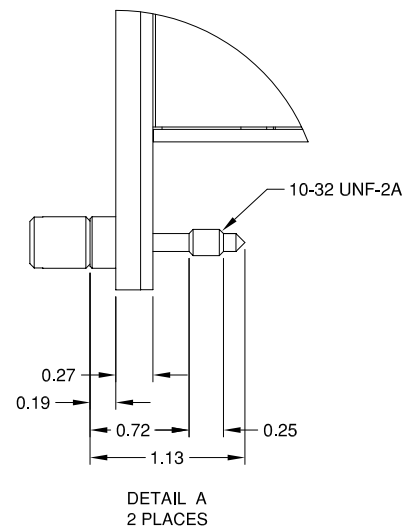


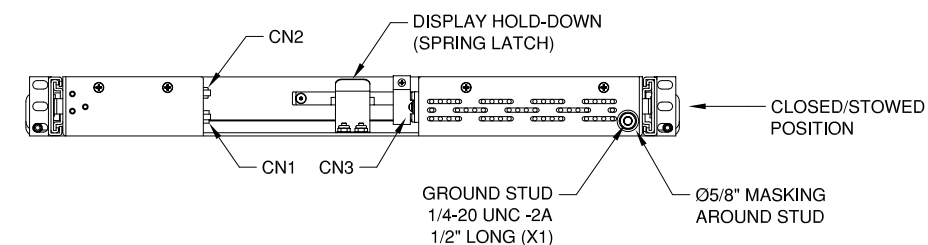
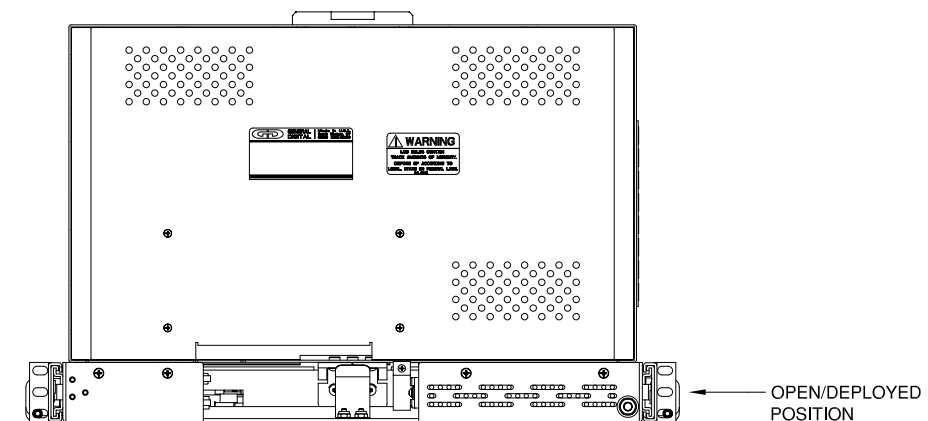
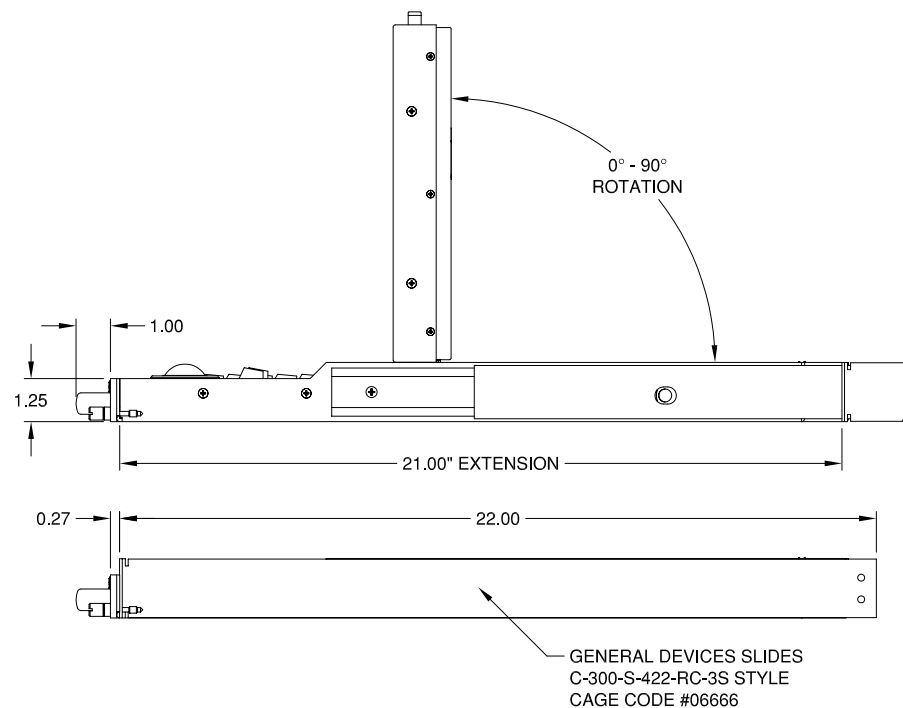
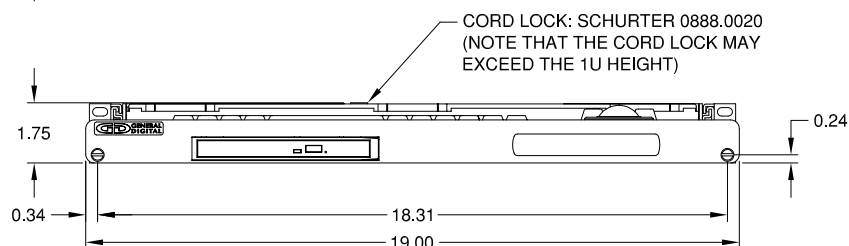
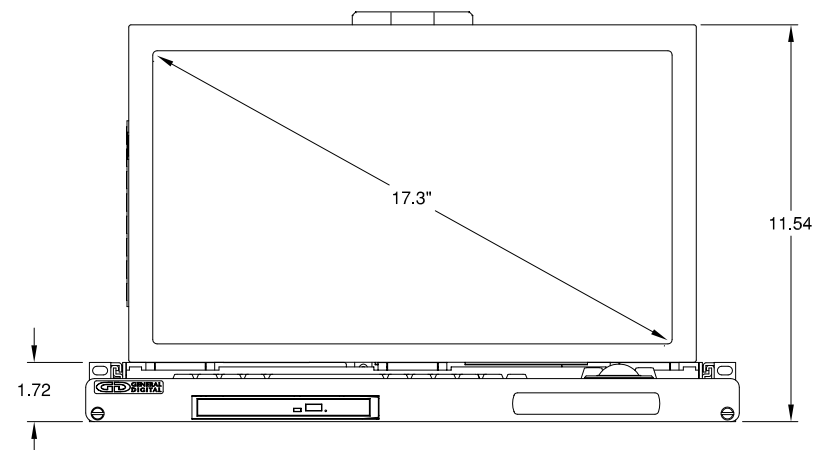
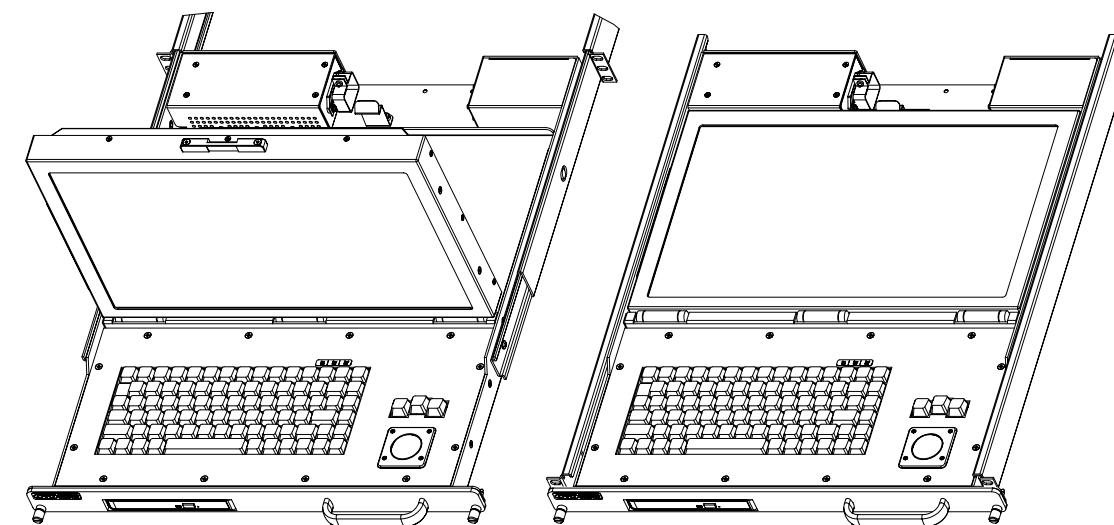
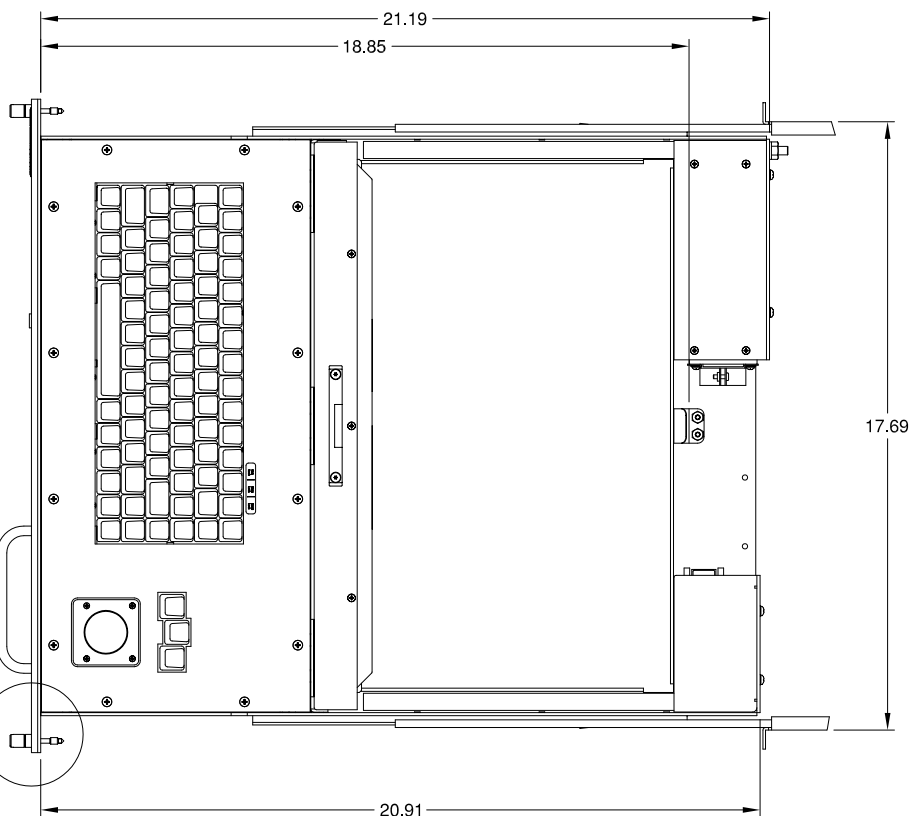
# CUSTOMER APPROVAL

COMPANY	NAME (PRINT)
DATE	SIGNATURE

SL1-17D-524-61-46-02-02-IA18-108



SEE DETAIL A



THIS DOCUMENT CONTAINS PROPRIETARY INFORMATION OF GENERAL DIGITAL AND IS NOT TO BE DISCLOSED, REPRODUCED OR PUBLISHED WITHOUT WRITTEN CONSENT FROM GENERAL DIGITAL. THIS DOCUMENT MUST BE RENDERED ILLEGIBLE WHEN BEING DISCARDED. © COPYRIGHT 2012. ALL RIGHTS RESERVED.

UNLESS OTHERWISE SPECIFIED DIMENSIONS ARE IN INCHES TOLERANCES ARE:  
 FRACTIONS DECIMALS ANGLES  
 ±1/32 .X ±.050 ±0° 30'  
 .XX ±.031  
 .XXX±.020

CONNECTOR CHART		
DESIGNATION	FUNCTION	TYPE
CN1	USB INPUT	DE-9-S
CN2	ANALOG VIDEO INPUT	DE-15-S
CN3	AC INPUT	IEC-320

MECHANICAL OUTLINE ONLY. SPECIFICATIONS SUBJECT TO CHANGE WITHOUT NOTICE. U.O.S. ALL DIMENSIONS ARE IN INCHES.

APPROVALS		DATE
DRAWN	C.P.	18-Sep-12
CHECKED	T.R.	18-Sep-12
APPROVED	B.G.	18-Sep-12

DO NOT SCALE DRAWING

**GENERAL DIGITAL**  
 The Innovators of Flat Panel Technology  
 8 Nutmeg Road South, South Windsor, CT 06074  
 (860) 282-2900 www.GeneralDigital.com

**SlimLine 1U**  
**17.3" WUXGA FLAT PANEL MONITOR**

<b>B</b>	CAGE CODE 1JA77	DWG. NO. 12-49	REV A1
----------	--------------------	-------------------	-----------

REV	DATE	ECN	DESCRIPTION	BY
A1	02-Apr-13	E003429	CHANGED DVD DRIVE	CP