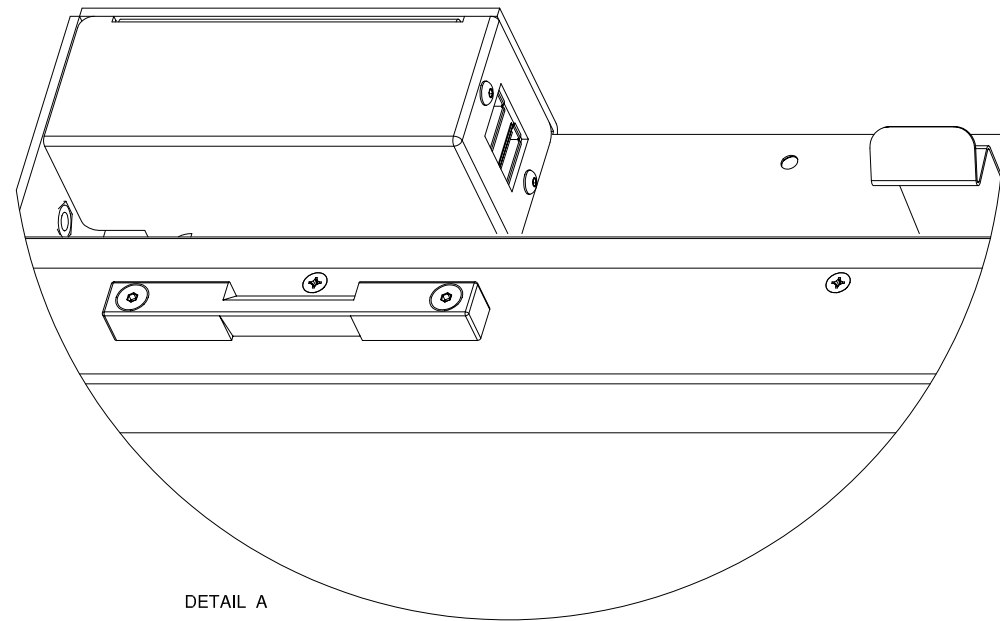
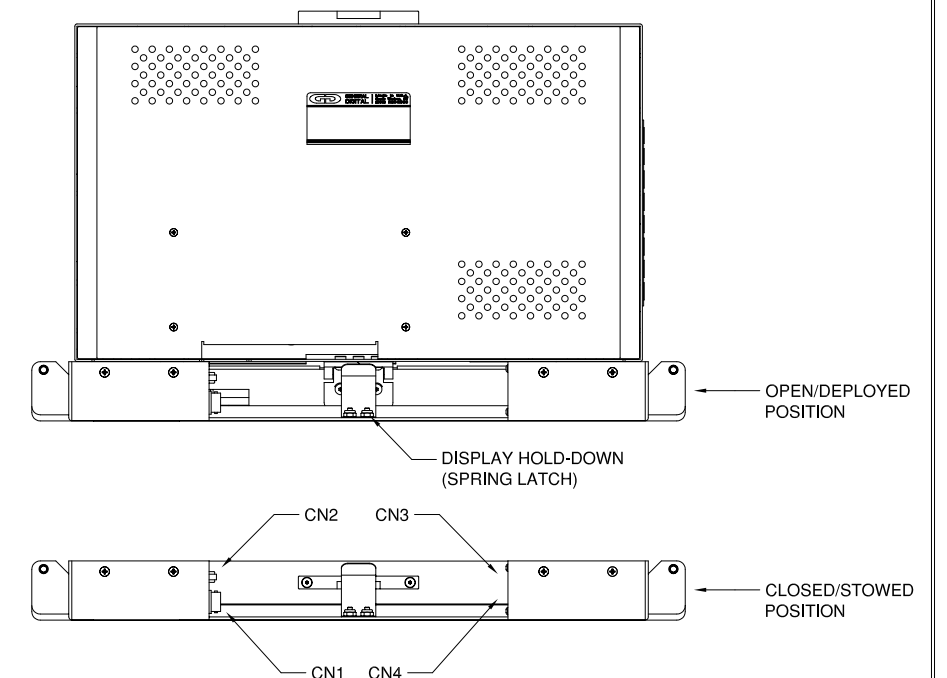
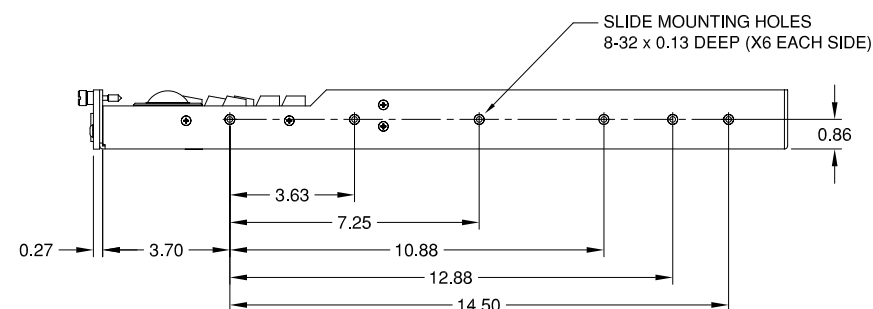
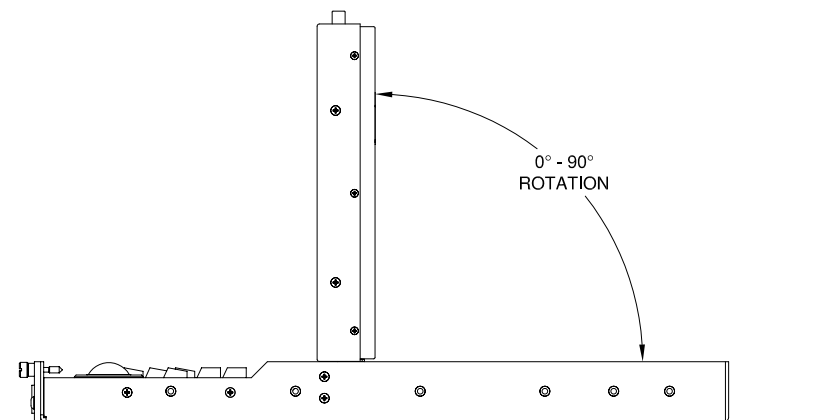
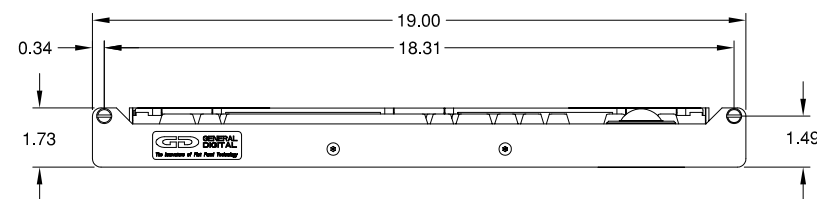
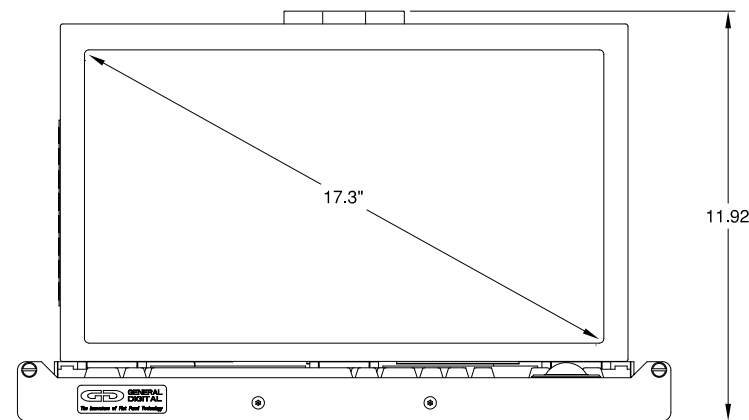
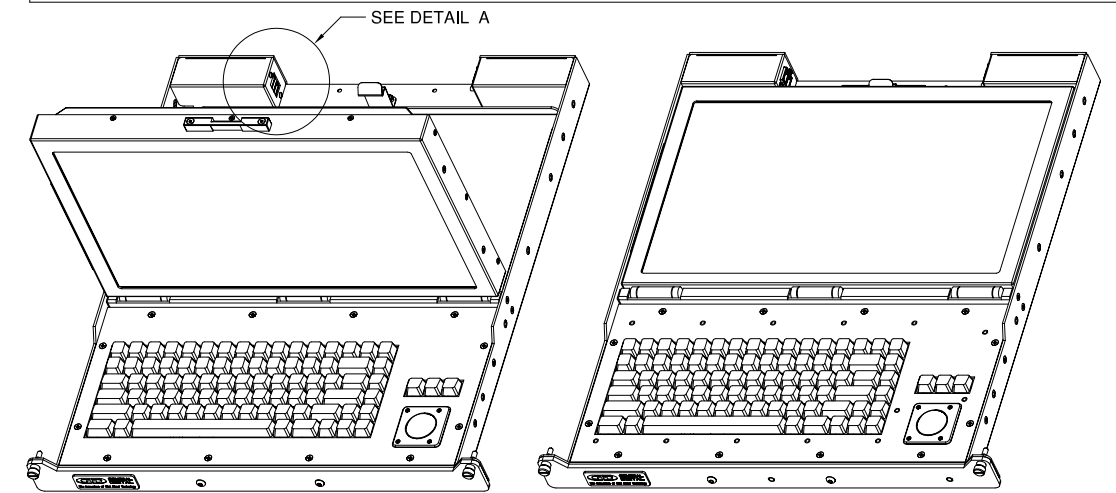
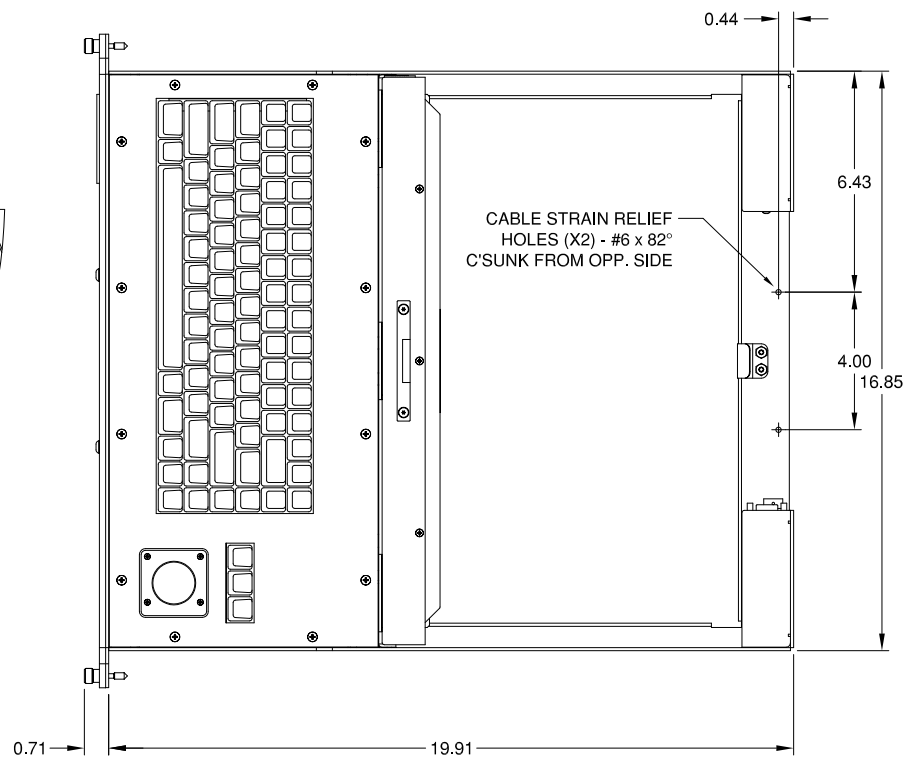


SL1-17D-524-31-51-02-02-0092-037



DETAIL A



THIS DOCUMENT CONTAINS PROPRIETARY INFORMATION OF GENERAL DIGITAL AND IS NOT TO BE DISCLOSED, REPRODUCED OR PUBLISHED WITHOUT WRITTEN CONSENT FROM GENERAL DIGITAL. THIS DOCUMENT MUST BE RENDERED ILLEGIBLE WHEN BEING DISCARDED. © COPYRIGHT 2012. ALL RIGHTS RESERVED.

CONNECTOR CHART		
DESIGNATION	FUNCTION	TYPE
CN1	+12 VDC INPUT	6-PIN HIROSE
CN2	ANALOG VIDEO INPUT	DE-15-S
CN3	KEYBOARD (TOP)	USB TYPE A
CN4	TRACKBALL (BOTTOM)	USB TYPE A

MECHANICAL OUTLINE ONLY. SPECIFICATIONS SUBJECT TO CHANGE WITHOUT NOTICE. U.O.S. ALL DIMENSIONS ARE IN INCHES.

APPROVALS		DATE
DRAWN	C.P.	17-Feb-12
CHECKED	T.R.	17-Feb-12
APPROVED	B.G.	17-Feb-12

DO NOT SCALE DRAWING



REV	DATE	ECN	DESCRIPTION	BY
B	04-Jun-12	-	UPDATED MODEL NUMBER	CP
A	27-Feb-12	-	UPDATED PER CUSTOMER REQUEST	CP

UNLESS OTHERWISE SPECIFIED DIMENSIONS ARE IN INCHES TOLERANCES ARE:  
 FRACTIONS DECIMALS ANGLES  
 ±1/32 .X ±.050 ±0° 30'  
 .XX ±.031  
 .XXX±.020

SlimLine 1U			
17.3" WXGA FLAT PANEL MONITOR			
<b>B</b>	CAGE CODE 1JA77	DWG. NO. 12-11	REV B