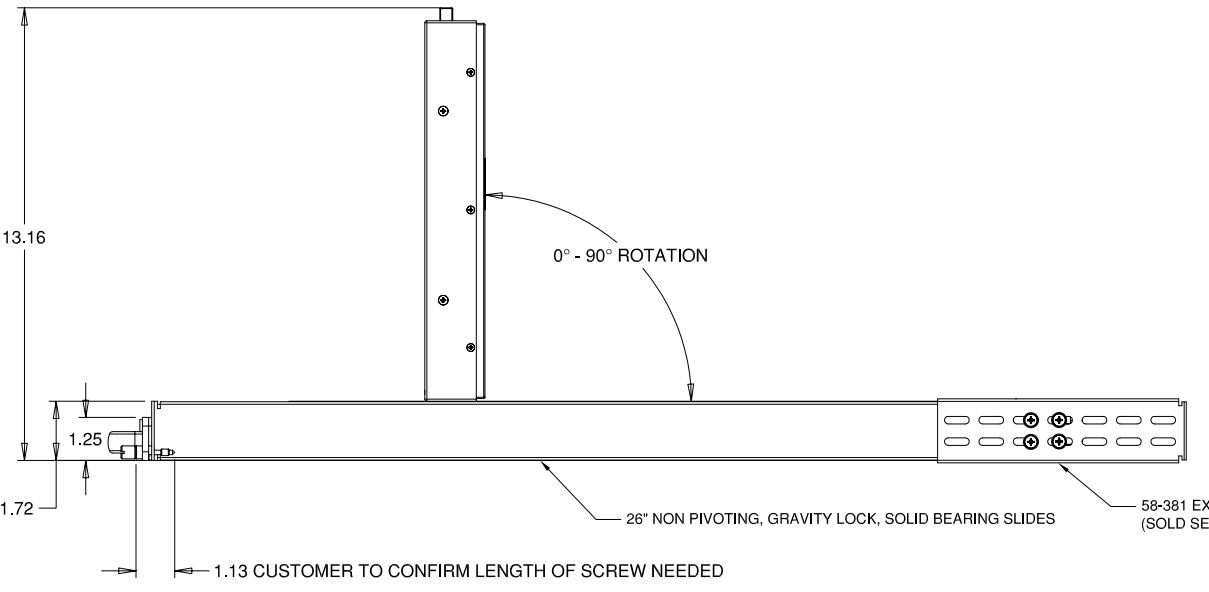
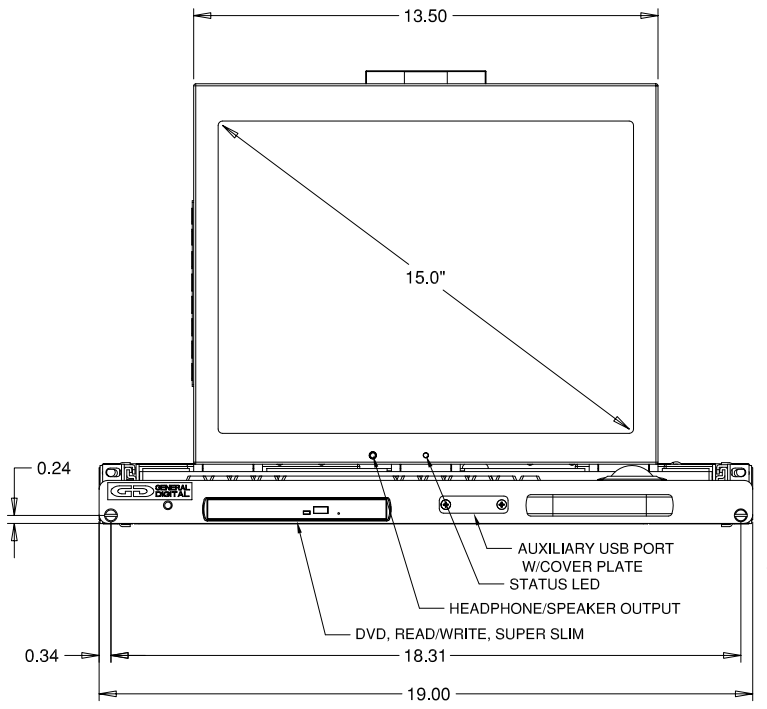
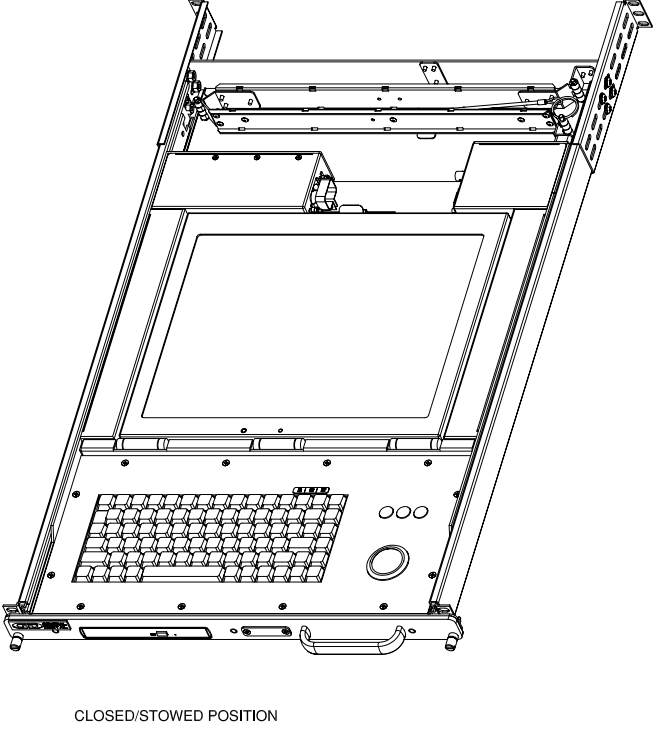
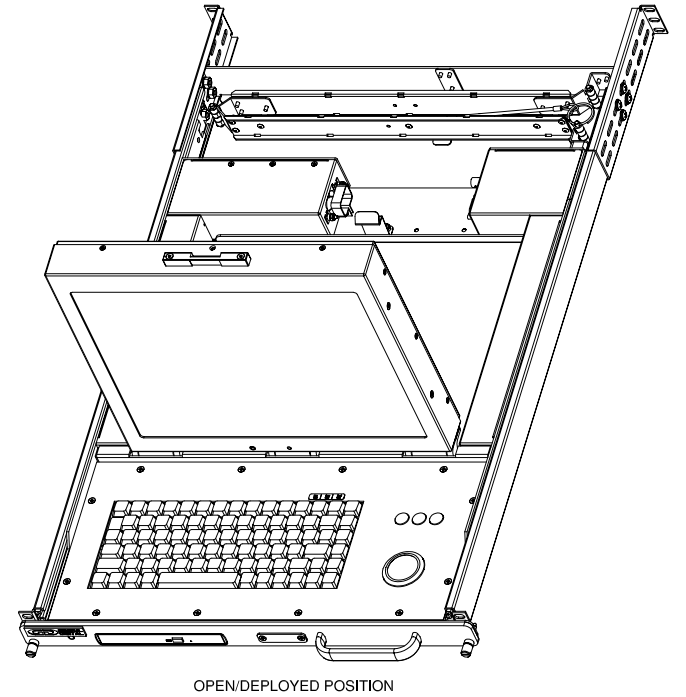
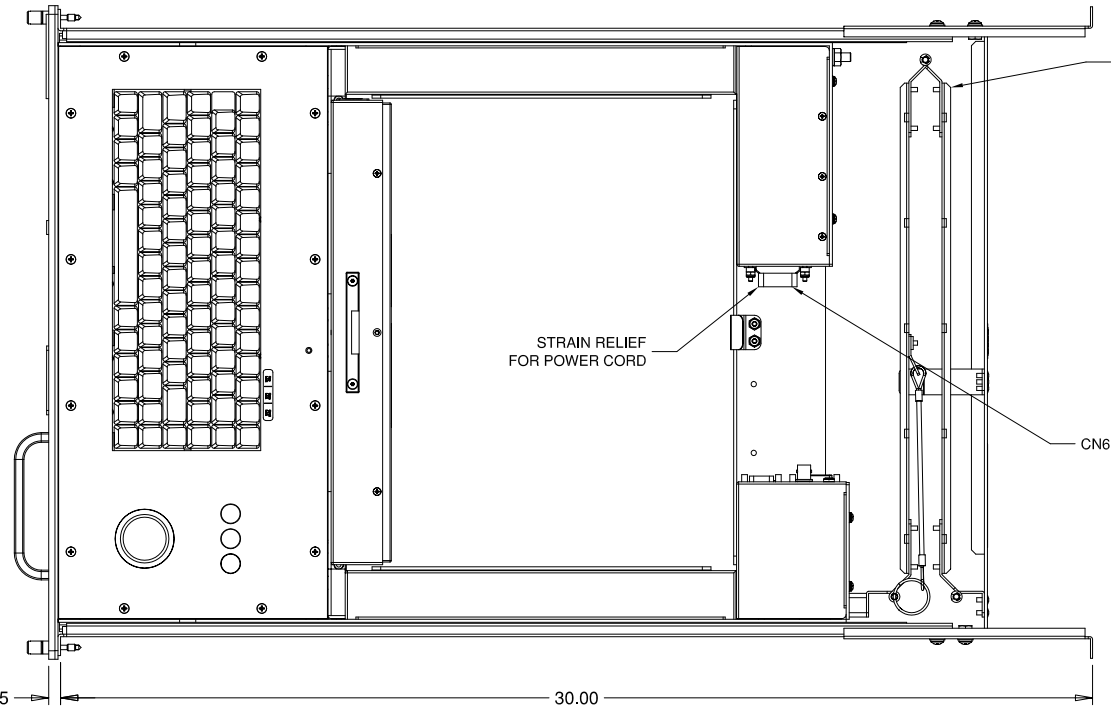
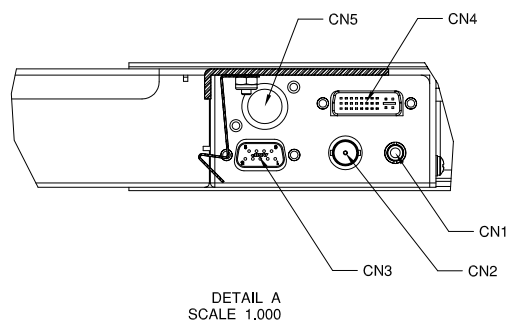
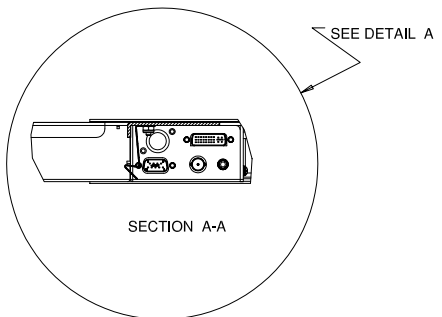


SSL1-15X-947-60-48-02-04-IA30-131



THIS DOCUMENT CONTAINS PROPRIETARY INFORMATION OF GENERAL DIGITAL AND IS NOT TO BE DISCLOSED, REPRODUCED OR PUBLISHED WITHOUT WRITTEN CONSENT FROM GENERAL DIGITAL. THIS DOCUMENT MUST BE RENDERED ILLEGIBLE WHEN BEING DISCARDED. © COPYRIGHT 2011. ALL RIGHTS RESERVED.

CONNECTOR CHART		
DESIGNATION	FUNCTION	TYPE
CN1	AUDIO INPUT	3.5mm STEREO
CN2	NTSC	BNC SOCKET
CN3	KEYBOARD/TRACKBALL	DE-9-P
CN4	DVI-D	DVI SOCKET
CN5	S-VIDEO	4P MINI DIN
CN6	AC POWER, 90-264 VAC, 47-63 Hz	IEC-320

MECHANICAL OUTLINE ONLY. SPECIFICATIONS SUBJECT TO CHANGE WITHOUT NOTICE. U.O.S. ALL DIMENSIONS ARE IN INCHES.

APPROVALS		DATE
DRAWN	FA	21-Oct-11
CHECKED	T.R.	
APPROVED	B.G.	

DO NOT SCALE DRAWING

GENERAL DIGITAL
The Innovators of Flat Panel Technology
 8 Nutmeg Road South, South Windsor, CT 06074
 (860) 282-2900 www.GeneralDigital.com

REV	DATE	ECN	DESCRIPTION	BY
A	11-9-11	-	REV PER CUSTOMER DESIGN ISSUES	FA

UNLESS OTHERWISE SPECIFIED DIMENSIONS ARE IN INCHES TOLERANCES ARE:
 FRACTIONS DECIMALS ANGLES
 ±1/32 .X ±.050 ±0° 30'
 .XX ±.031
 .XXX±.020

SLIMLINE 1U			
15.0" FLAT PANEL MONITOR			
B	CAGE CODE 1JA77	DWG. NO. 11-44	REV A