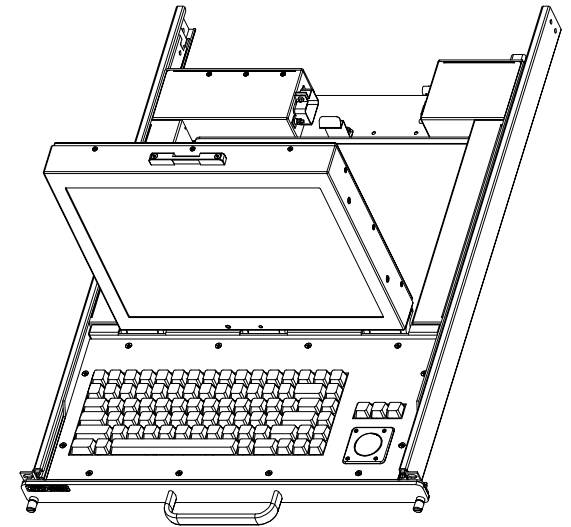
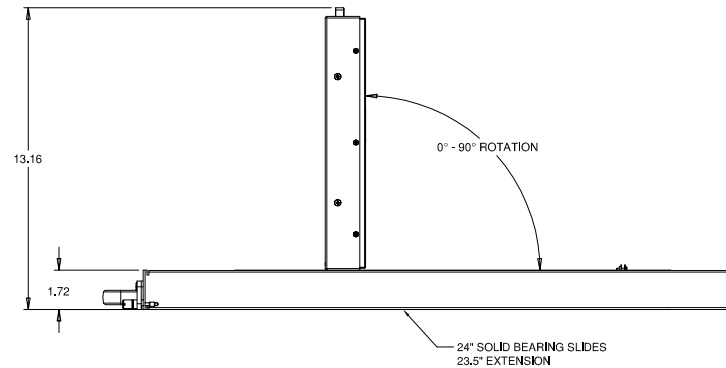
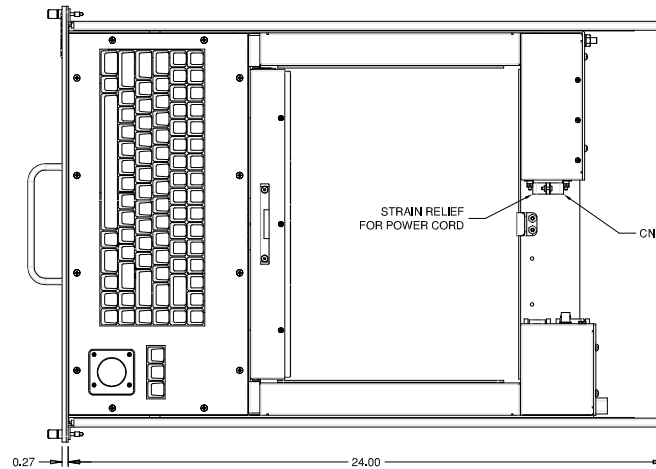
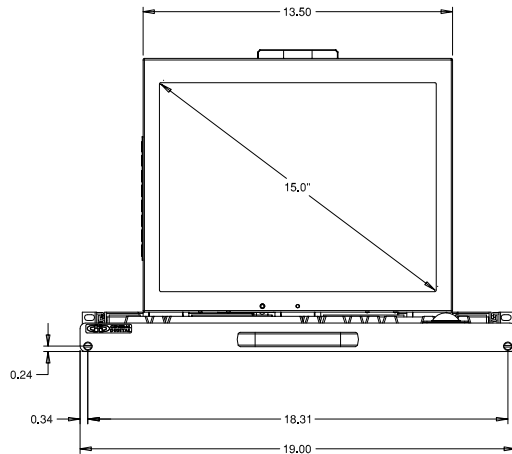
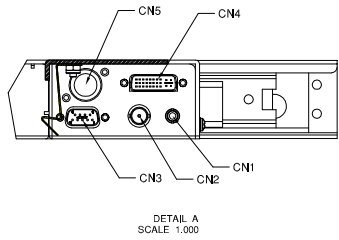
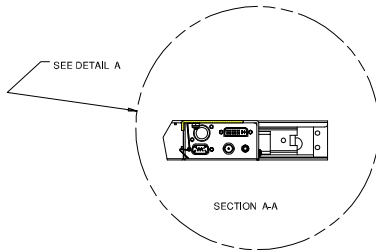


xSL1-15X-ccc-dd-ee-26-gg-IA30-zzz



THIS DOCUMENT CONTAINS PROPRIETARY INFORMATION OF GENERAL DIGITAL AND IS NOT TO BE DISCLOSED, REPRODUCED OR PUBLISHED WITHOUT WRITTEN CONSENT FROM GENERAL DIGITAL. THIS DOCUMENT MUST BE RENDERED ILLEGIBLE WHEN BEING DISCARDED. © COPYRIGHT 2013. ALL RIGHTS RESERVED.

UNLESS OTHERWISE SPECIFIED DIMENSIONS ARE IN INCHES
TOLERANCES ARE:
FRACTIONS DECIMALS ANGLES
±1/32 .X ±.050 ±0° 30'
.XX ±.031
.XXX±.020

CONNECTOR CHART		
DESIGNATION	FUNCTION	TYPE
CN1	AUDIO INPUT	3.5mm STEREO
CN2	NTSC	BNC SOCKET
CN3	KEYBOARD/TRACKBALL	DE-9-P
CN4	DVI-D	DVI SOCKET
CN5	S-VIDEO	4P MINI DIN
CN6	AC POWER 90-264 VAC, 47-63 Hz	IEC-320

MECHANICAL OUTLINE ONLY. SPECIFICATIONS SUBJECT TO CHANGE WITHOUT NOTICE. U.O.S. ALL DIMENSIONS ARE IN INCHES.

APPROVALS		DATE
DRAWN	GL	23-July-13
CHECKED		
APPROVED		
DO NOT SCALE DRAWING		

GD GENERAL DIGITAL
The Innovators of Flat Panel Technology
8 Nutmeg Road South, South Windsor, CT 06074
(860) 282-2900 www.GeneralDigital.com

SLIMLINE 1U 15.0" FLAT PANEL MONITOR			
B	CAGE CODE 1JA77	DWG. NO. 13-62	REV A1

REV	DATE	ECN	DESCRIPTION	BY
A1	29-July-13	-	REVISED FRONT PANEL	FA