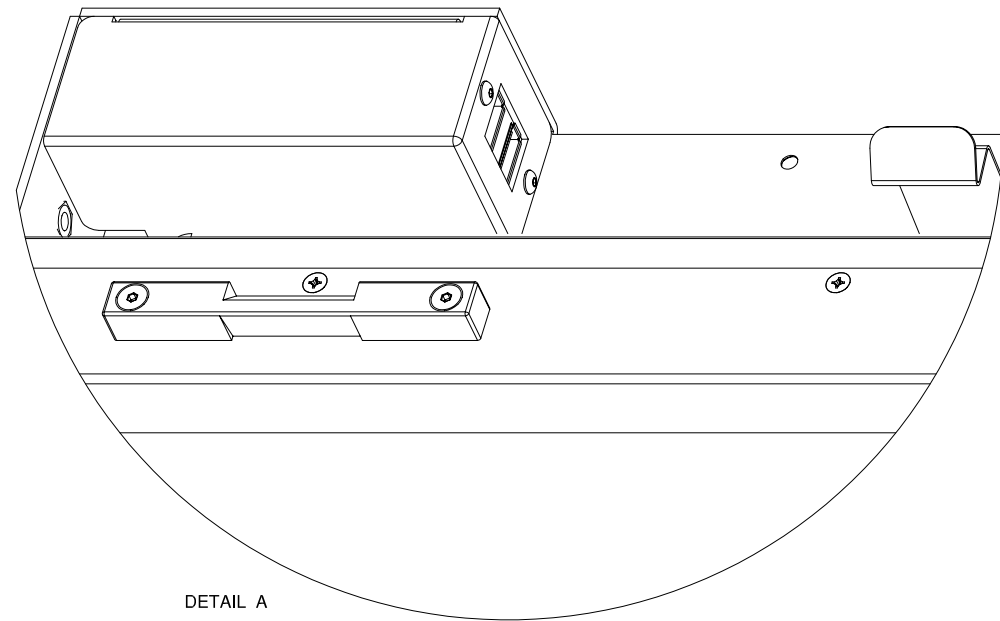
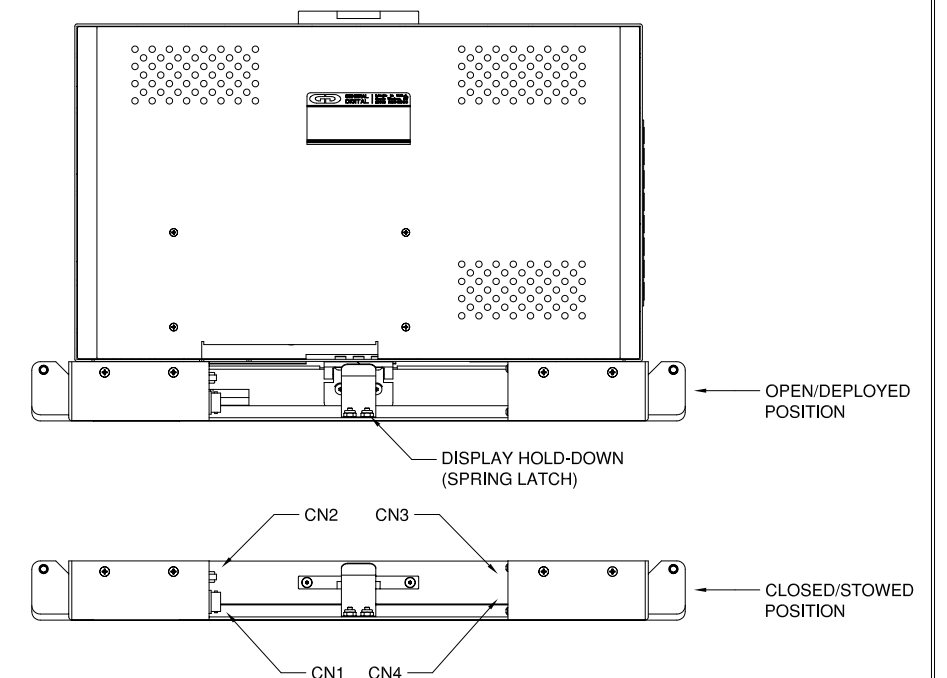
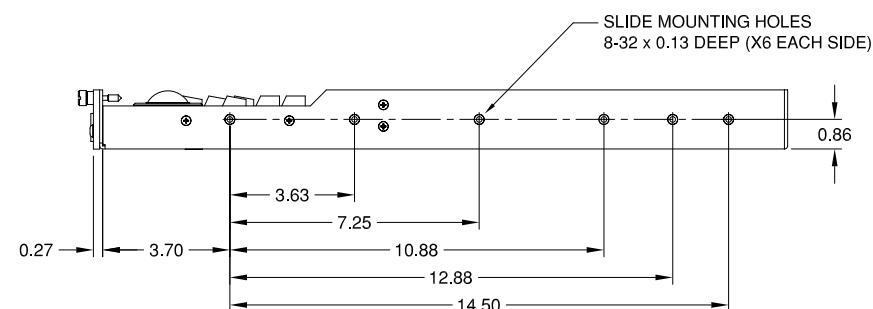
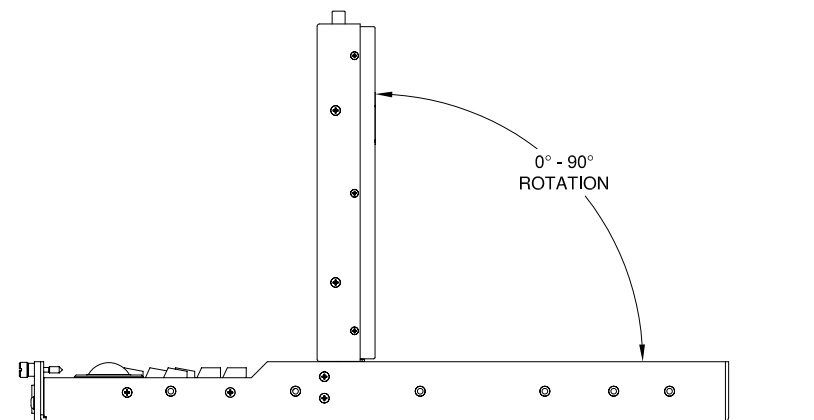
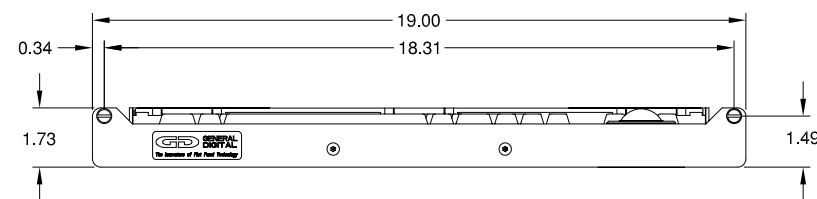
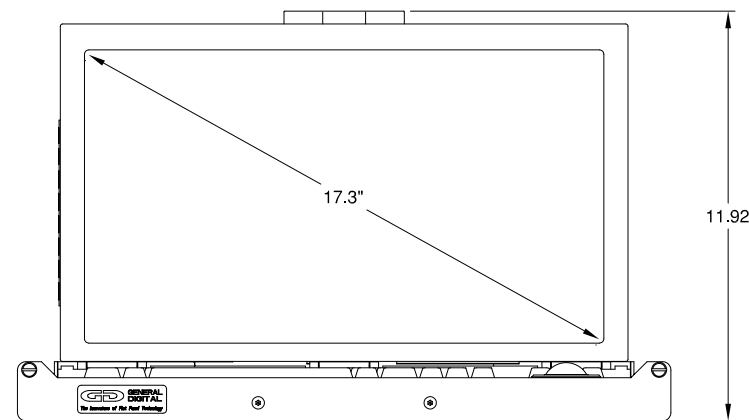
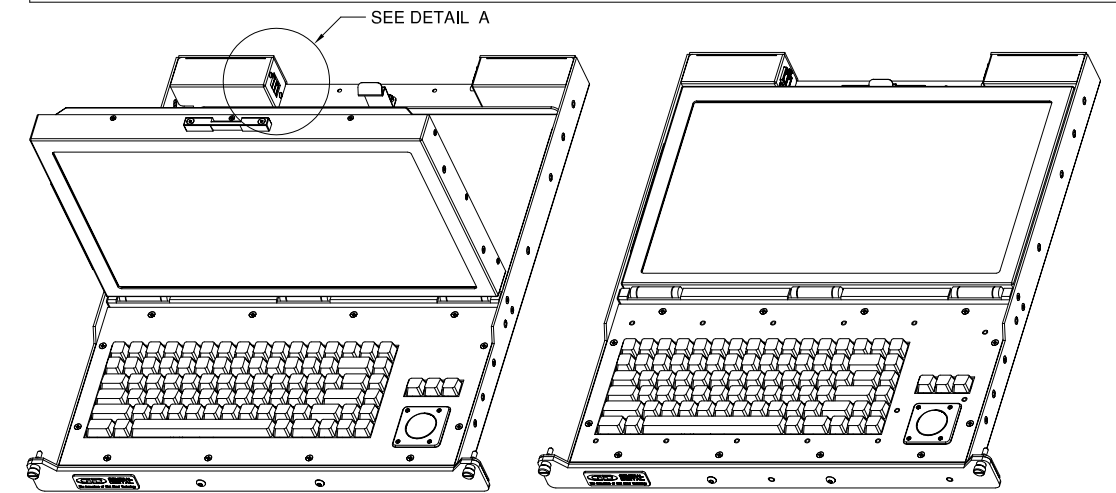
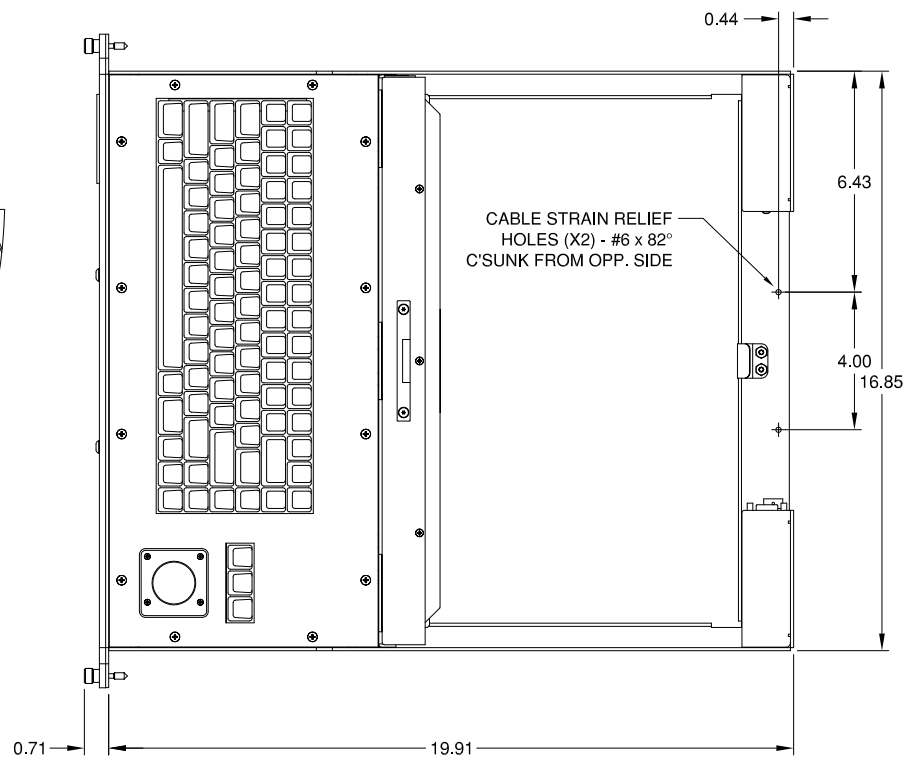


SL1-17D-524-31-51-02-02-0092-037



DETAIL A



THIS DOCUMENT CONTAINS PROPRIETARY INFORMATION OF GENERAL DIGITAL AND IS NOT TO BE DISCLOSED, REPRODUCED OR PUBLISHED WITHOUT WRITTEN CONSENT FROM GENERAL DIGITAL. THIS DOCUMENT MUST BE RENDERED ILLEGIBLE WHEN BEING DISCARDED. © COPYRIGHT 2012. ALL RIGHTS RESERVED.

UNLESS OTHERWISE SPECIFIED DIMENSIONS ARE IN INCHES TOLERANCES ARE:
 FRACTIONS DECIMALS ANGLES
 ±1/32 .X ±.050 ±0° 30'
 .XX ±.031
 .XXX±.020

CONNECTOR CHART		
DESIGNATION	FUNCTION	TYPE
CN1	+12 VDC INPUT	6-PIN HIROSE
CN2	ANALOG VIDEO INPUT	DE-15-S
CN3	KEYBOARD (TOP)	USB TYPE A
CN4	TRACKBALL (BOTTOM)	USB TYPE A

MECHANICAL OUTLINE ONLY. SPECIFICATIONS SUBJECT TO CHANGE WITHOUT NOTICE. U.O.S. ALL DIMENSIONS ARE IN INCHES.

APPROVALS		DATE
DRAWN	C.P.	17-Feb-12
CHECKED	T.R.	17-Feb-12
APPROVED	B.G.	17-Feb-12

DO NOT SCALE DRAWING

GD GENERAL DIGITAL
 The Innovators of Flat Panel Technology
 8 Nutmeg Road South, South Windsor, CT 06074
 (860) 282-2900 www.GeneralDigital.com

REV	DATE	ECN	DESCRIPTION	BY
B	04-Jun-12	-	UPDATED MODEL NUMBER	CP
A	27-Feb-12	-	UPDATED PER CUSTOMER REQUEST	CP

SlimLine 1U
 17.3" WXGA FLAT PANEL MONITOR

CAGE CODE	DWG. NO.	REV
1JA77	12-11	B