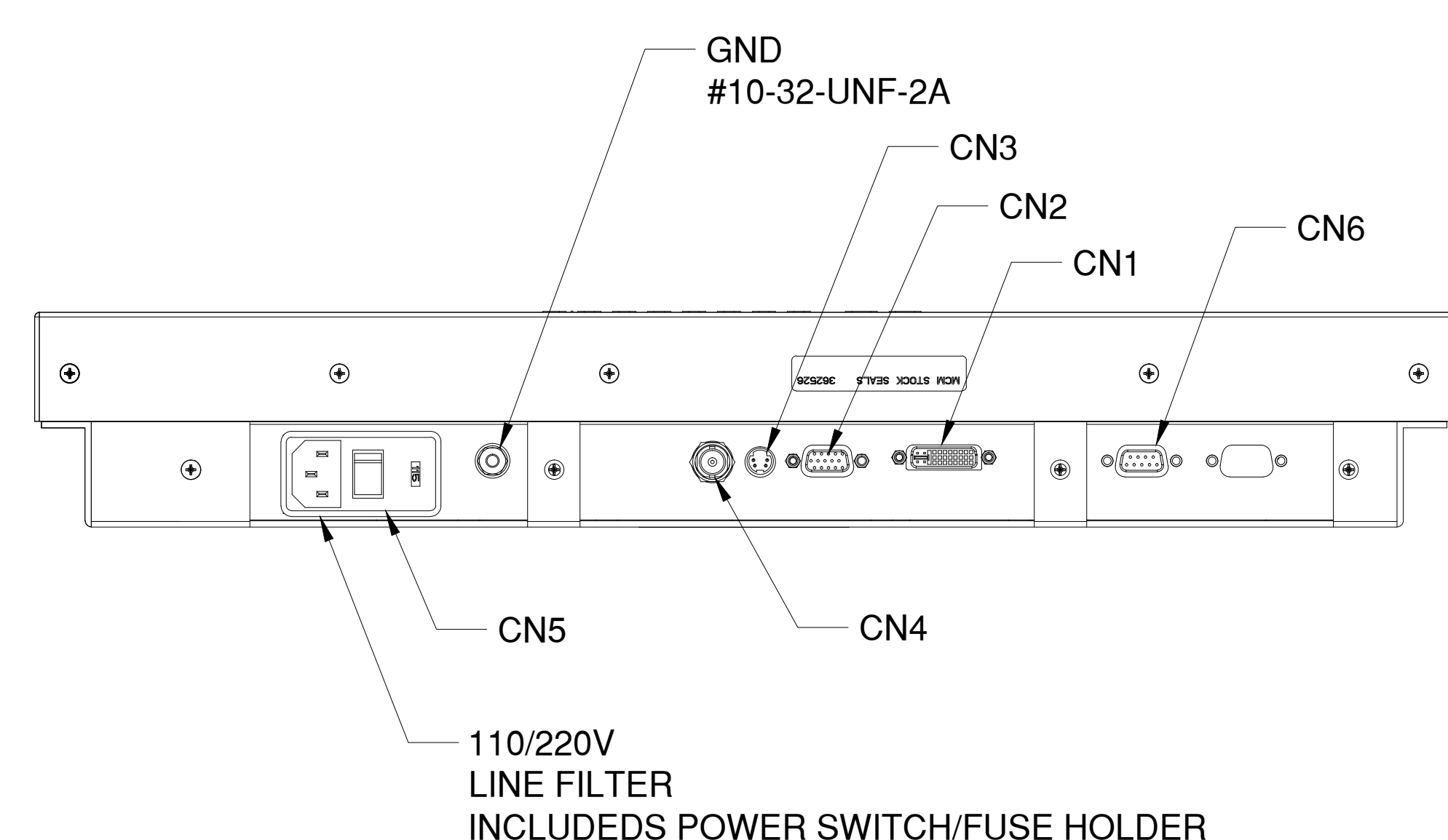
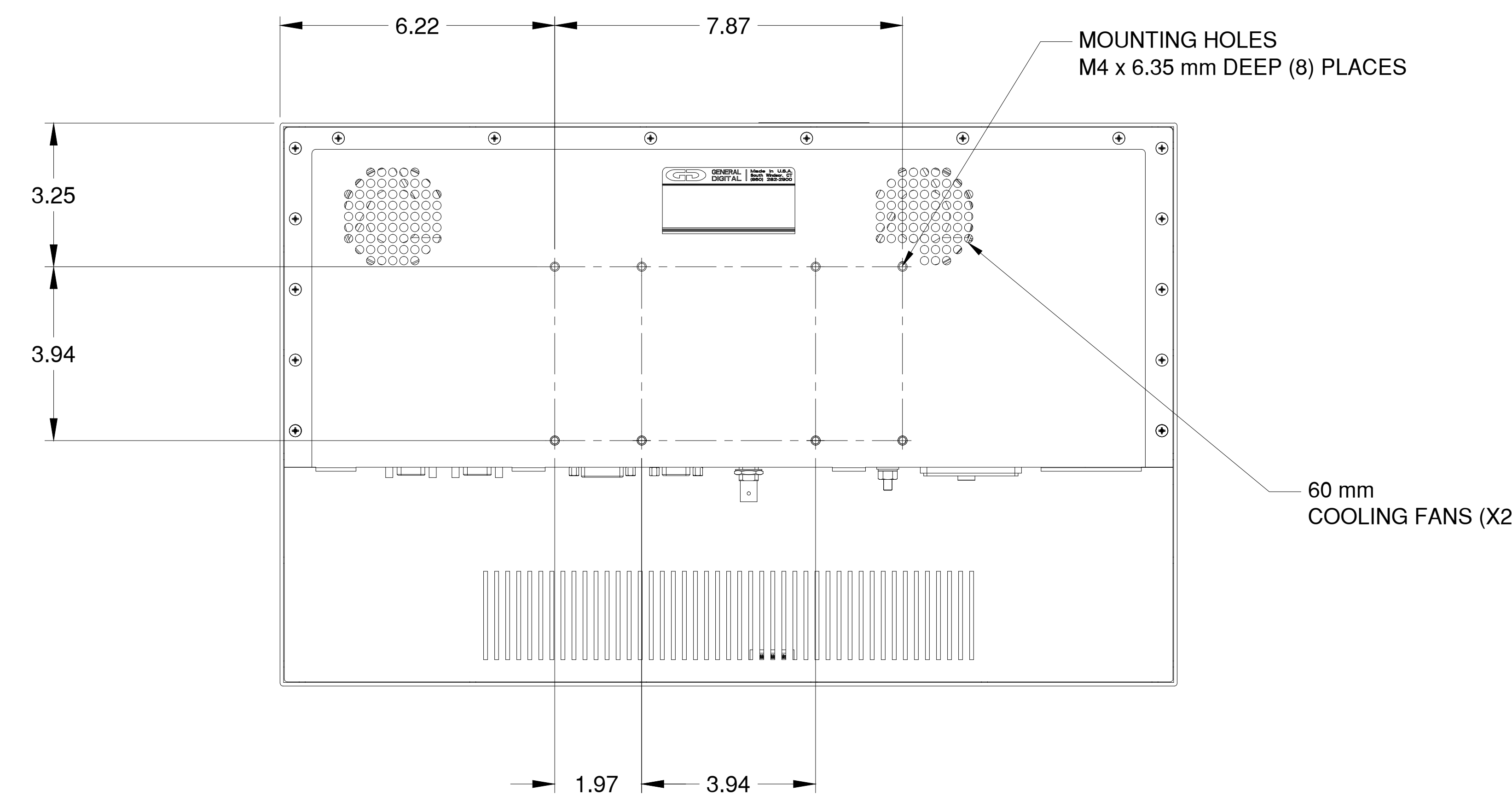
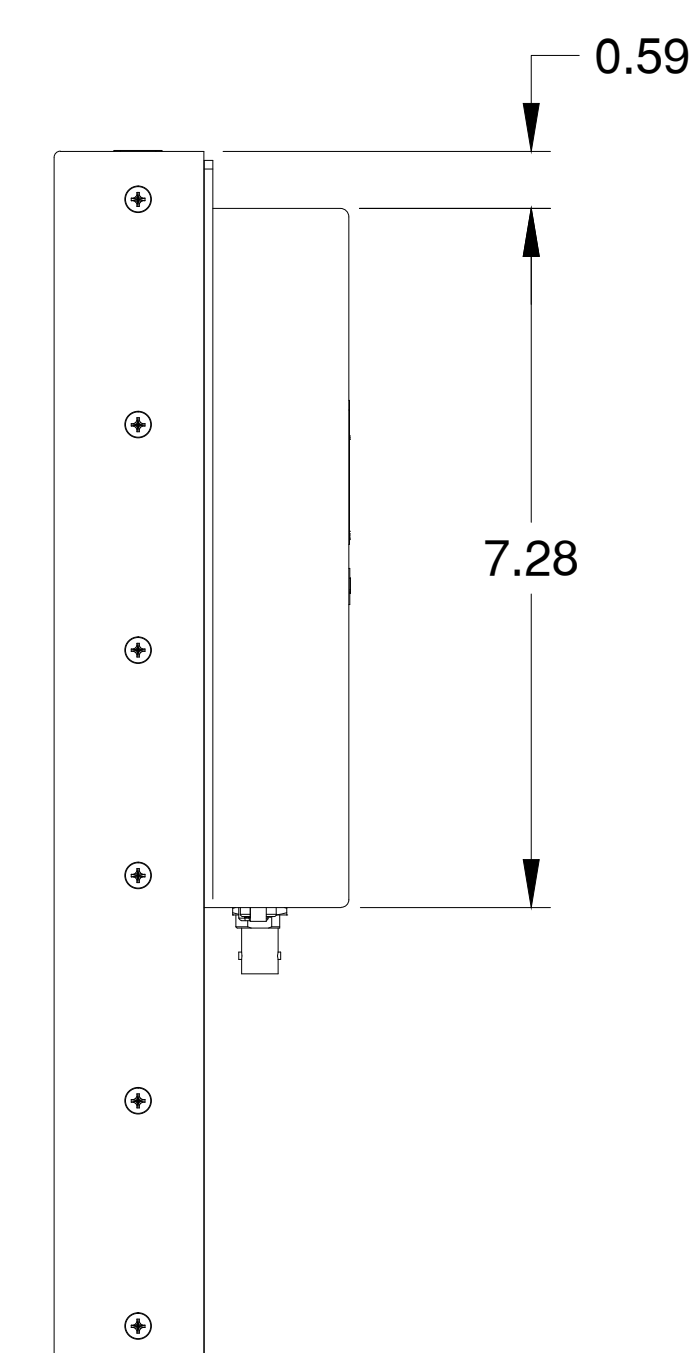
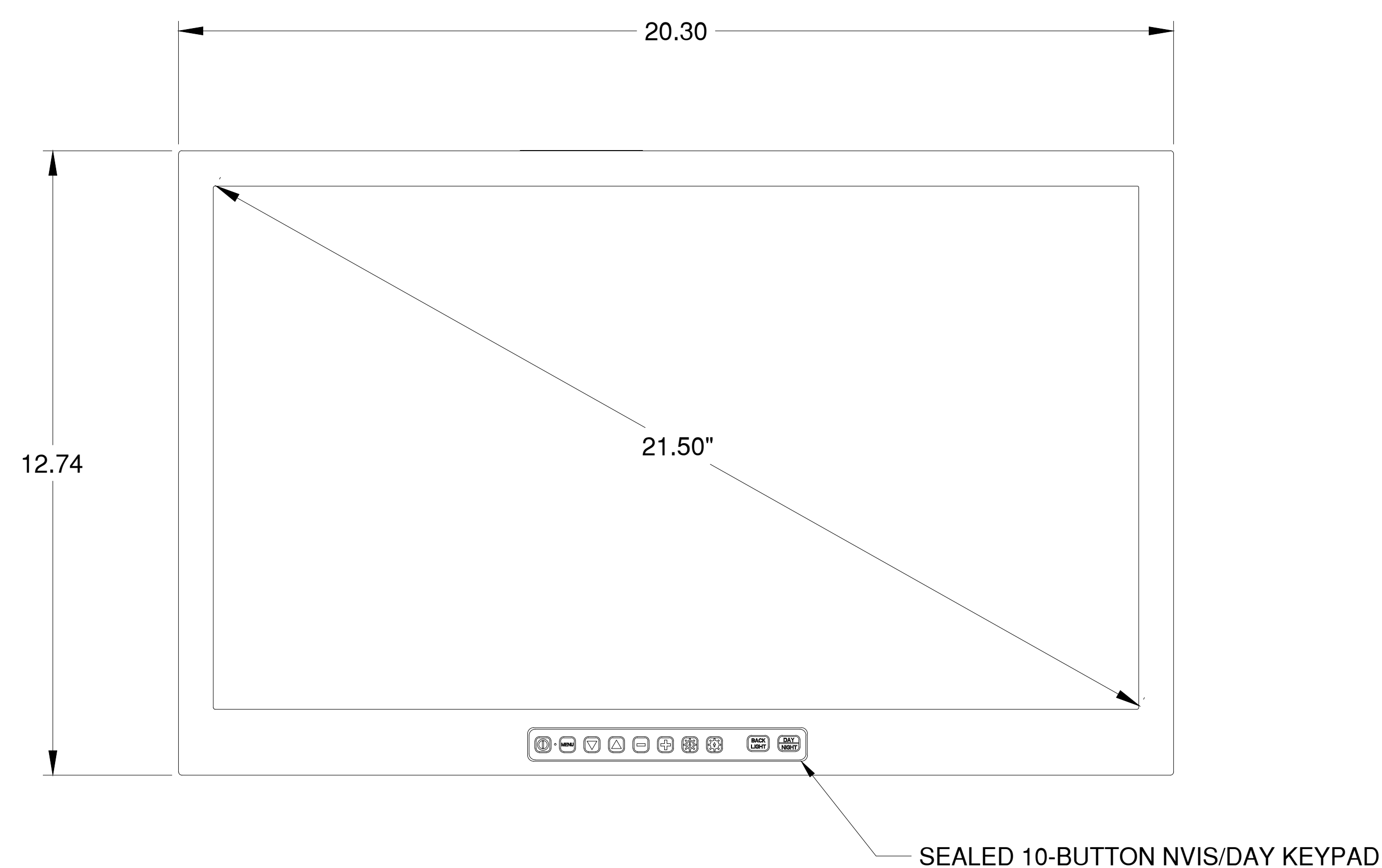
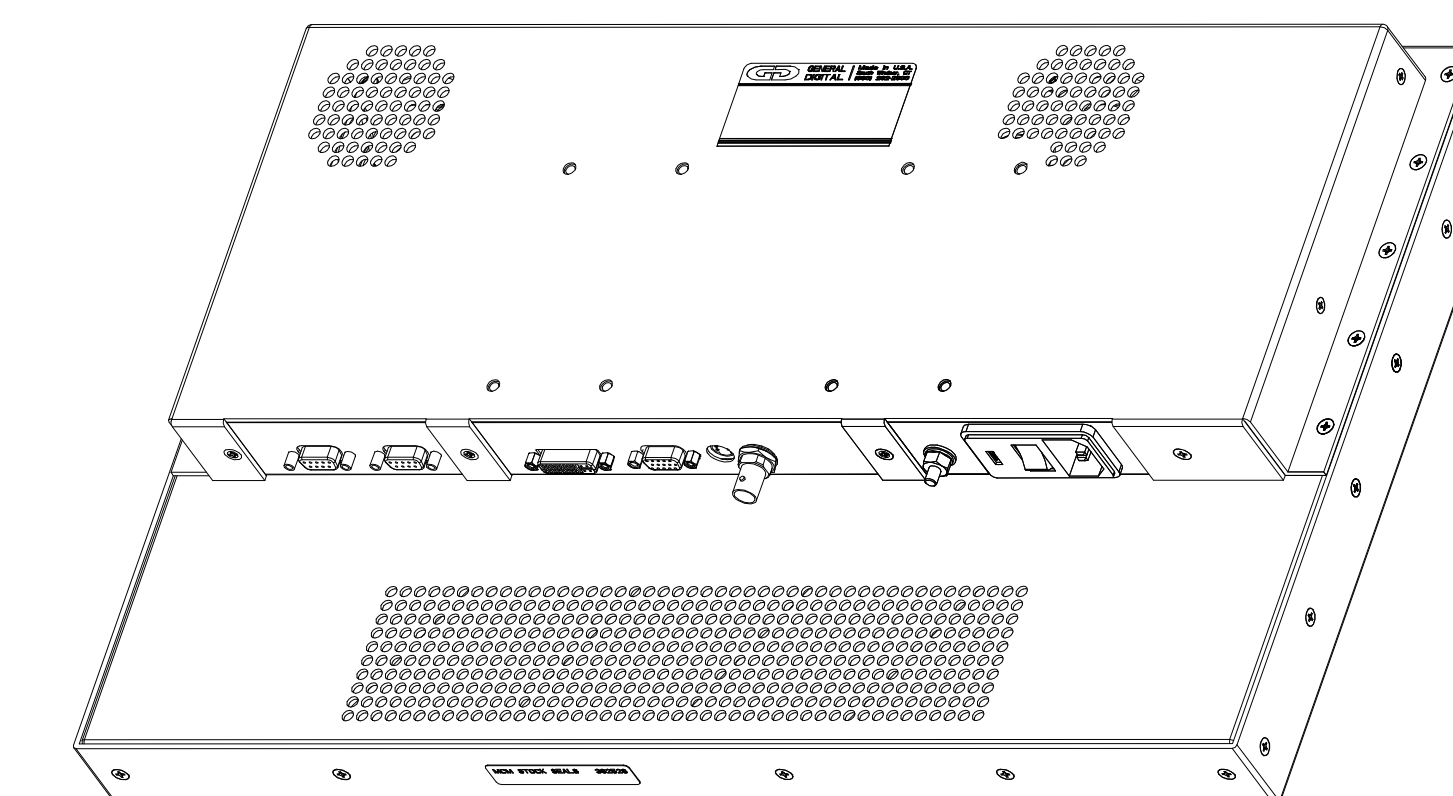
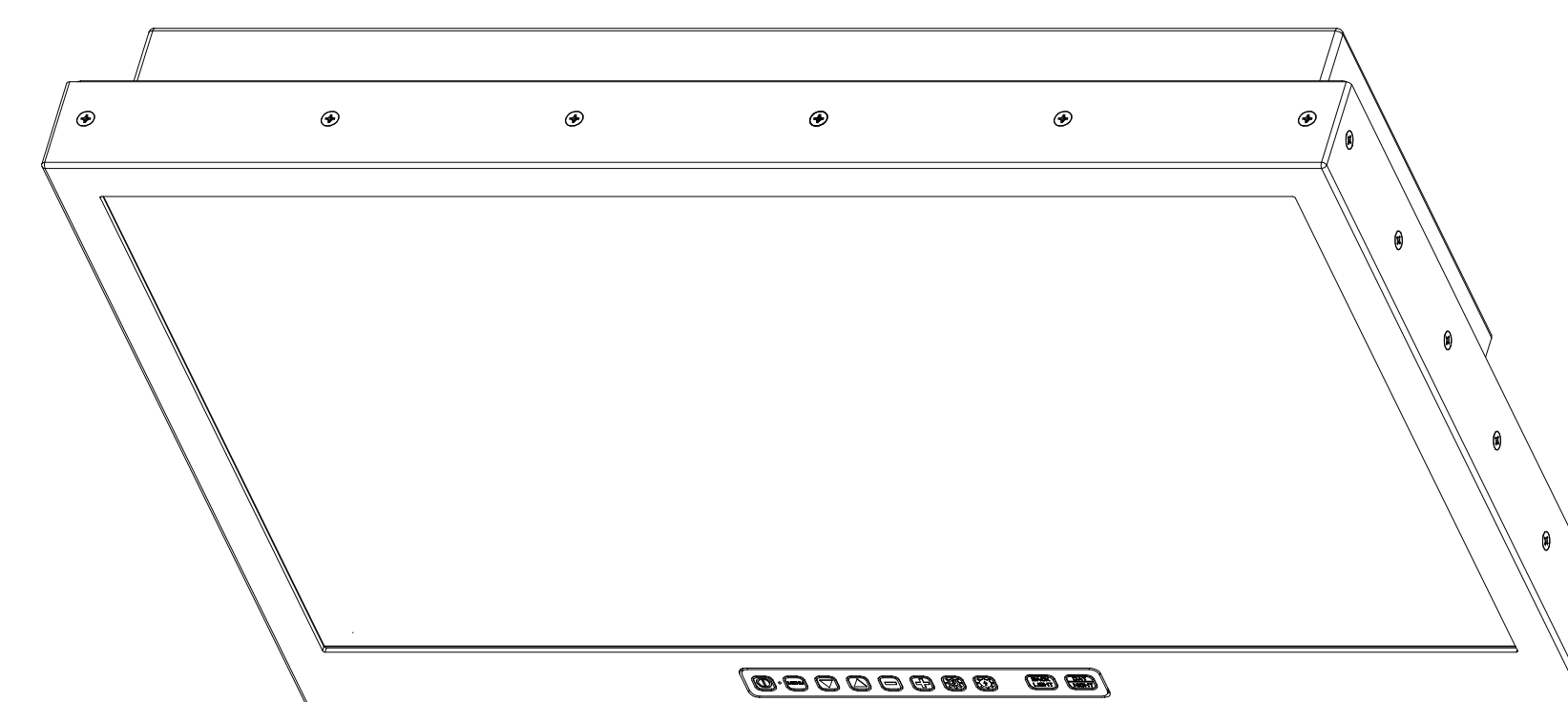
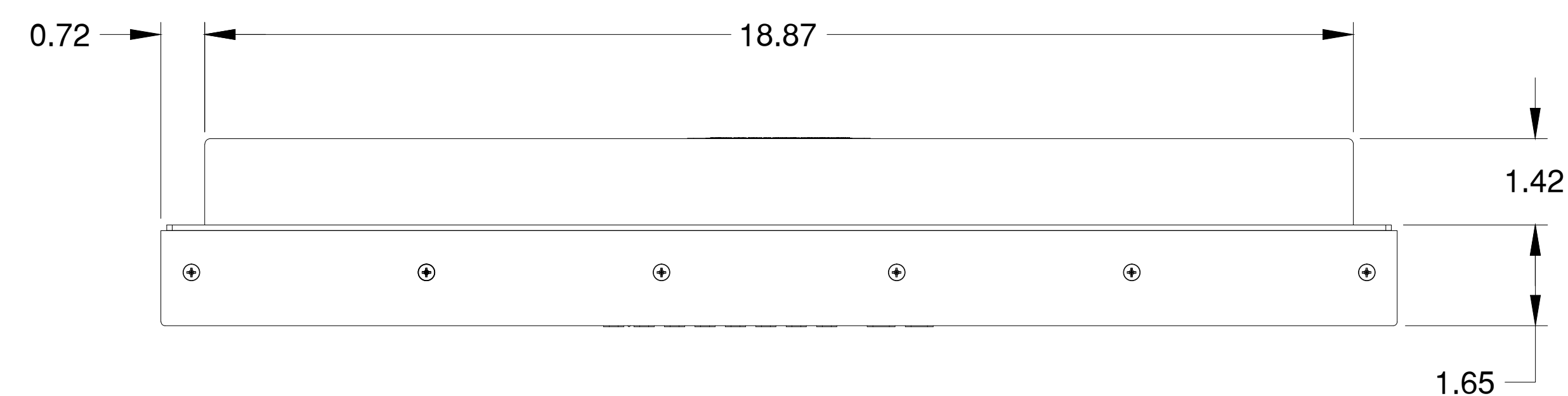


# SNGD-22D-987-60-00-16-68-IP14-000

**NOTES:**

1. MAXIMUM VIDEO RESOLUTION : 1920 x 1080
2. ENVIRONMENTAL:
  - OPERATING TEMPERATURE: 0 -50 C
  - STORAGE: -20 - 60 C
  - HUMIDITY: 5 - 90% NC
3. MOUNTING: VESA MIS-D 100mm x 100mm MOUNTING HOLE PATTERN  
VESA MIS-E 200MM x 100mm MOUNTING HOLE PATTERN
4. POWER SUPPLY: INTERNAL AC-DC, 75W, +24V OUT  
85-264 VAC, 47-63 Hz
5. ENCLOSURE:
  - MATERIAL: ALUMINUM
  - FINISH: BLACK TEXTURED POWDER COAT




THIS DOCUMENT CONTAINS PROPRIETARY INFORMATION OF GENERAL DIGITAL AND IS NOT TO BE DISCLOSED, REPRODUCED OR PUBLISHED WITHOUT WRITTEN CONSENT FROM GENERAL DIGITAL. THIS DOCUMENT MUST BE RENDERED ILLEGIBLE WHEN BEING DISCARDED. © COPYRIGHT 2012. ALL RIGHTS RESERVED.

UNLESS OTHERWISE SPECIFIED DIMENSIONS ARE IN INCHES TOLERANCES ARE:  
 FRACTIONS DECIMALS ANGLES  
 ±1/32 .X ±.050 ±0° 30'  
 .XX ±.031  
 .XXX±.020

CONNECTOR CHART		
DESIGNATION	FUNCTION	TYPE
CN1	DIGITAL VIDEO INPUT	DVI-D
CN2	ANALOG VIDEO INPUT	DE-15-S
CN3	S-VIDEO	4P MINI DIN S
CN4	NTSC	BNC JACK
CN5	AC INPUT	IEC-320
CN6	TOUCH (USB)	DE-9-P

MECHANICAL OUTLINE ONLY. SPECIFICATIONS SUBJECT TO CHANGE WITHOUT NOTICE. U.O.S. ALL DIMENSIONS ARE IN INCHES.	
APPROVALS	DATE
DRAWN G.L.	08-Apr-14
CHECKED T.R.	
APPROVED B.G.	
<b>DO NOT SCALE DRAWING</b>	



**GENERAL DIGITAL**  
*The Innovators of Flat Panel Technology*  
 8 Nutmeg Road South, South Windsor, CT 06074  
 (860) 282-2900 www.GeneralDigital.com

**SABER STANDALONE SOLAR/NVIS  
 21.5" WUXGA MONITOR**

<b>B</b>	CAGE CODE 1JA77	DWG. NO. 14-39	REV -
----------	--------------------	-------------------	----------

REV	DATE	ECN	DESCRIPTION	BY