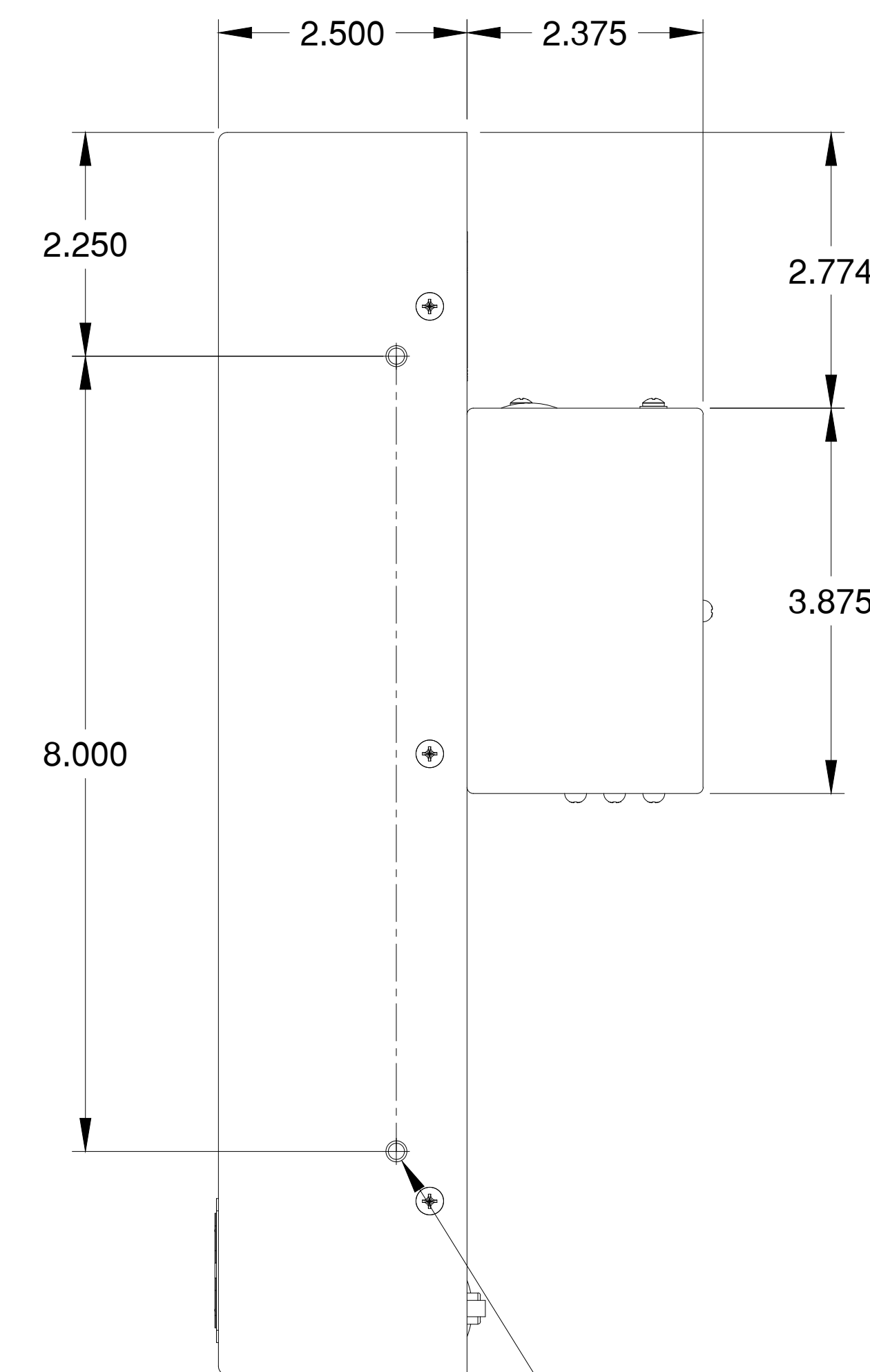
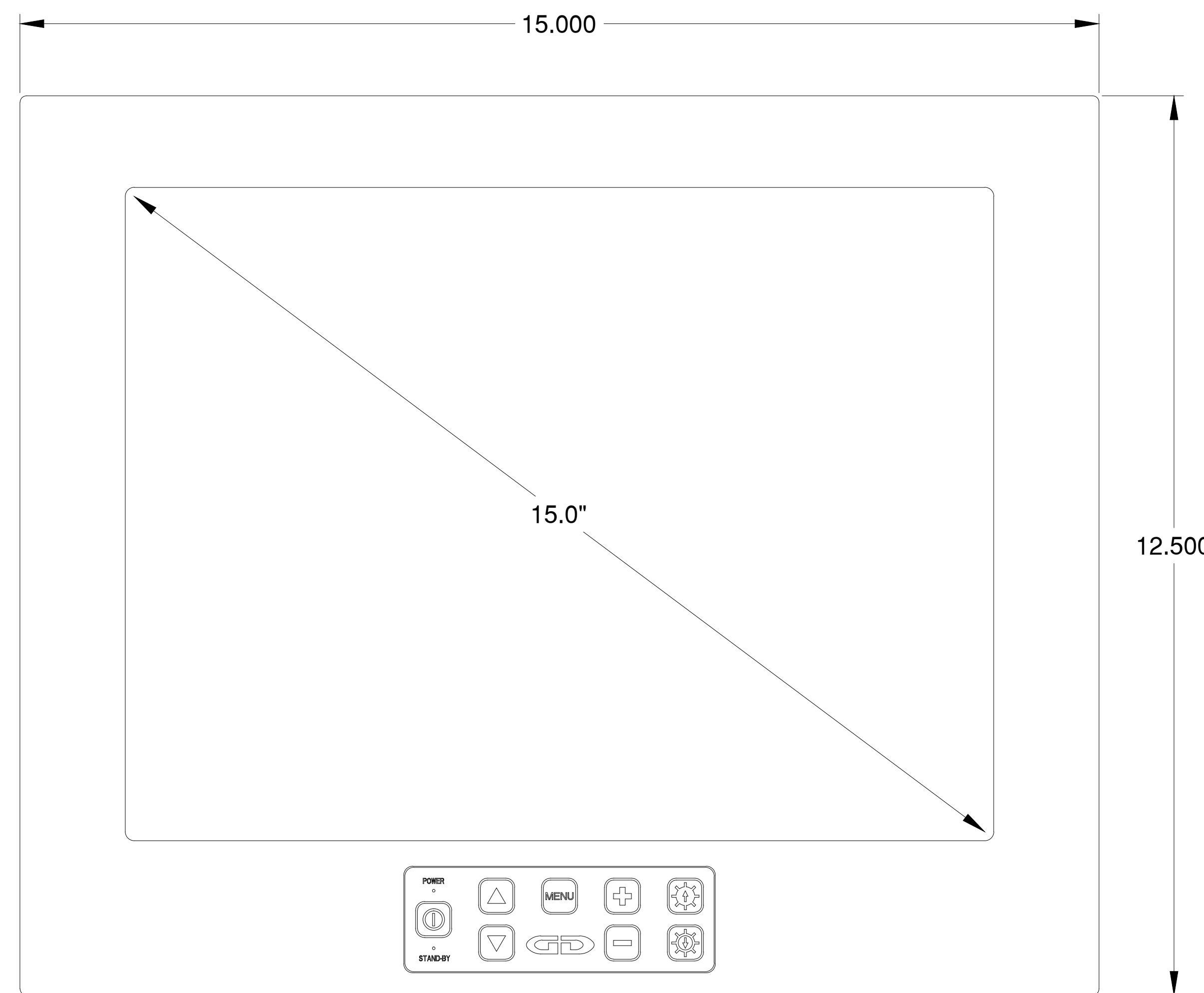
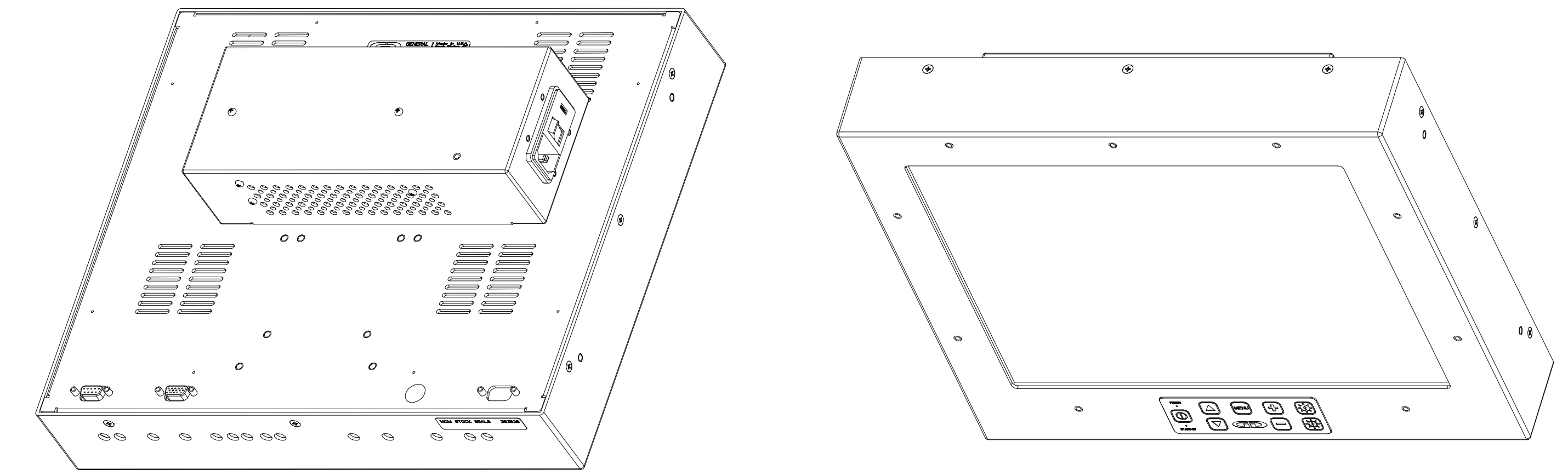
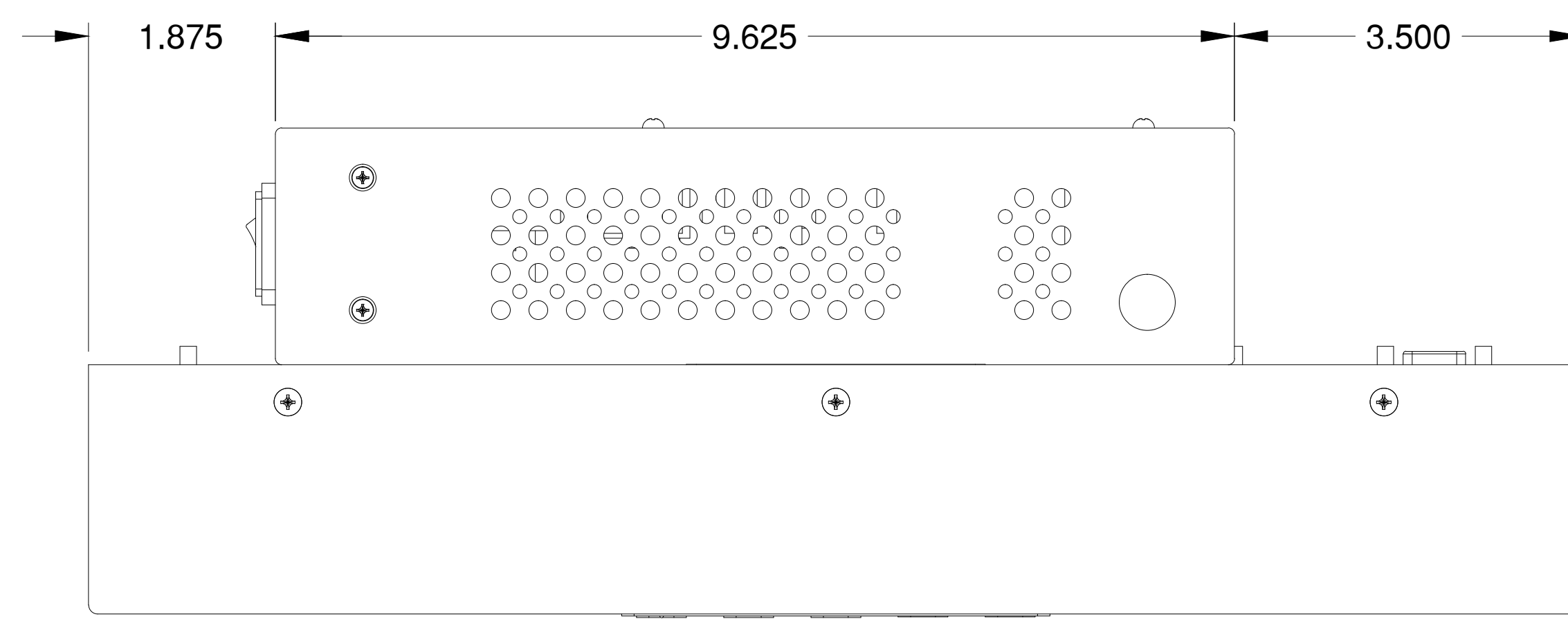
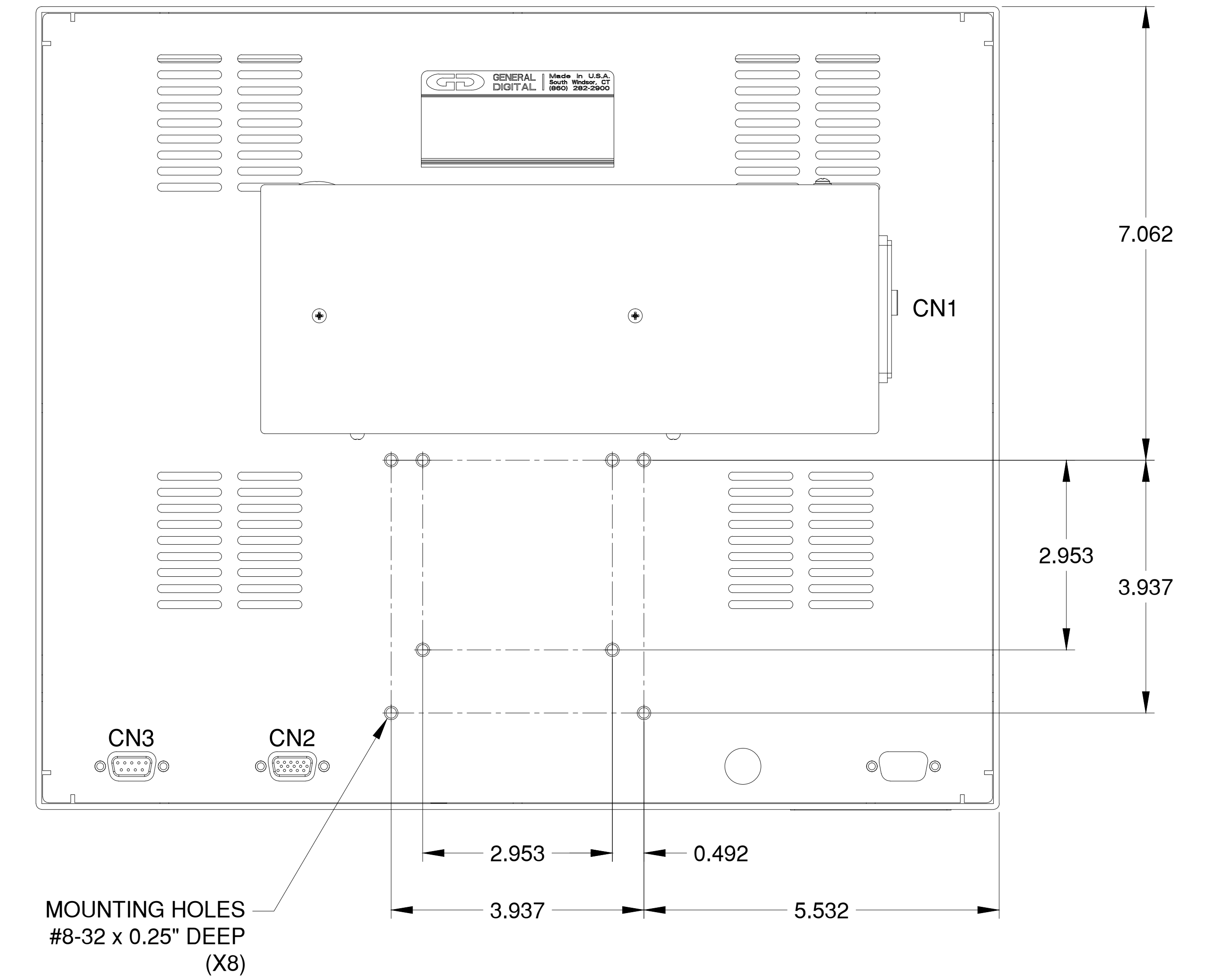


(X) OPTION	UNIT DESCRIPTION
-	SABER STANDALONE
S	SABER STANDALONE SOLAR
SN	SABER STANDALONE SOLAR/NVIS
D	SABER STANDALONE DAYLIGHT READABLE

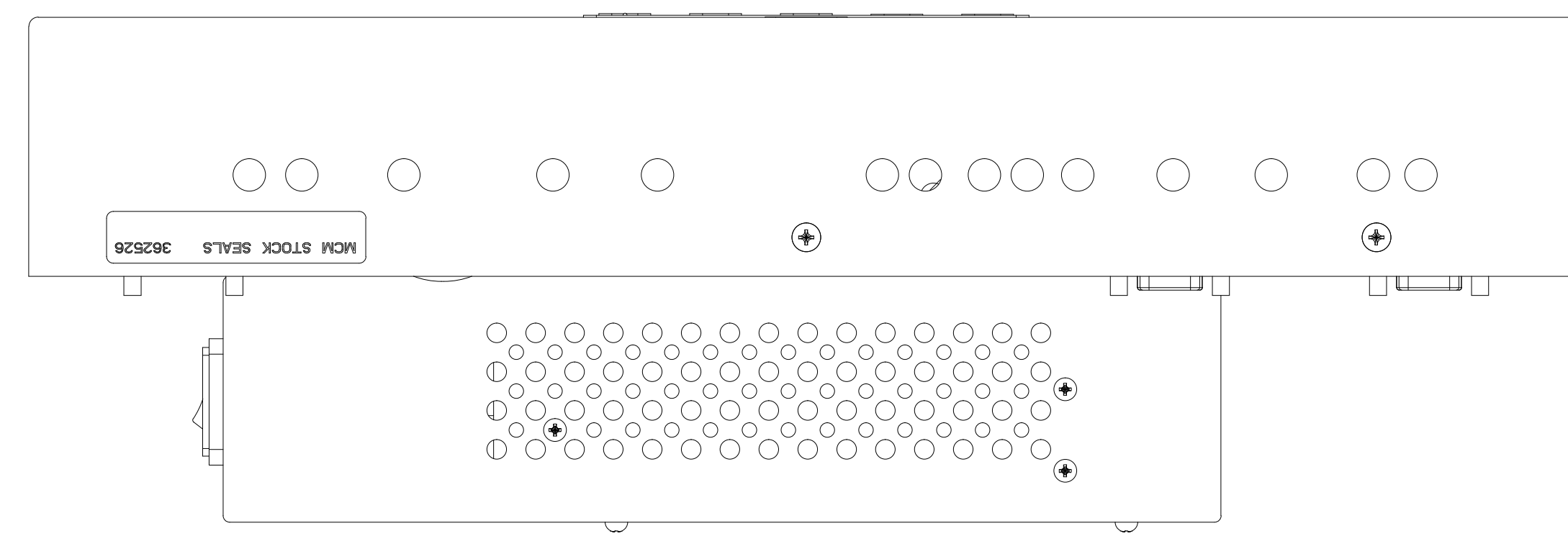
(X)GD-15X-cccc-107-00-35-gg-EP02-123



MOUNTING HOLES
#8-32 x 1.0" DEEP
(X2) EACH SIDE



MOUNTING HOLES
#8-32 x 0.25" DEEP
(X8)



THIS DOCUMENT CONTAINS PROPRIETARY INFORMATION OF GENERAL DIGITAL AND IS NOT TO BE DISCLOSED, REPRODUCED OR PUBLISHED WITHOUT WRITTEN CONSENT FROM GENERAL DIGITAL. THIS DOCUMENT MUST BE RENDERED ILLEGIBLE WHEN BEING DISCARDED. © COPYRIGHT 2012. ALL RIGHTS RESERVED.

UNLESS OTHERWISE SPECIFIED DIMENSIONS ARE IN INCHES
TOLERANCES ARE:
FRACTIONS DECIMALS ANGLES
±1/32 .X ±.050 ±0° 30'
.XX ±.031
.XXX±.020

CONNECTOR CHART		
DESIGNATION	FUNCTION	TYPE
CN1	AC INPUT	IEC-320
CN2	ANALOG VIDEO INPUT	DE-15-S
CN3	USB INPUT (TOUCH)	DE-9-S

MECHANICAL OUTLINE ONLY. SPECIFICATIONS SUBJECT TO CHANGE WITHOUT NOTICE. U.O.S. ALL DIMENSIONS ARE IN INCHES.

APPROVALS		DATE
DRAWN	G.L.	02-Jul-14
CHECKED	T.R.	
APPROVED	B.G.	

DO NOT SCALE DRAWING



The Innovators of Flat Panel Technology
8 Nutmeg Road South, South Windsor, CT 06074
(860) 282-2900 www.GeneralDigital.com

SABER STANDALONE
15.0" XGA MONITOR

REV	DATE	ECN	DESCRIPTION	BY

B	CAGE CODE	DWG. NO.	REV
	1JA77	14-64	-