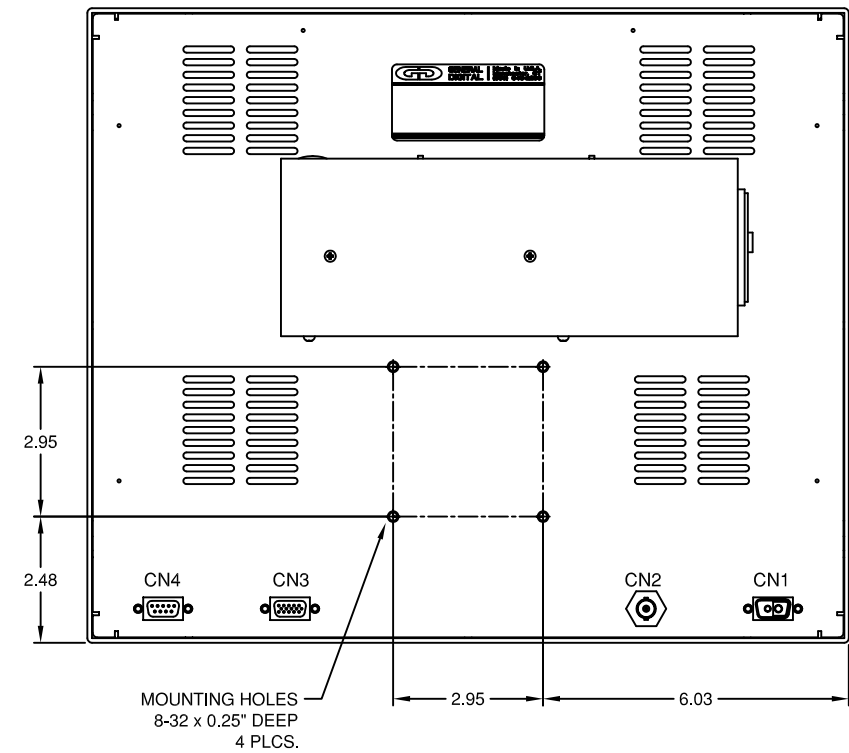
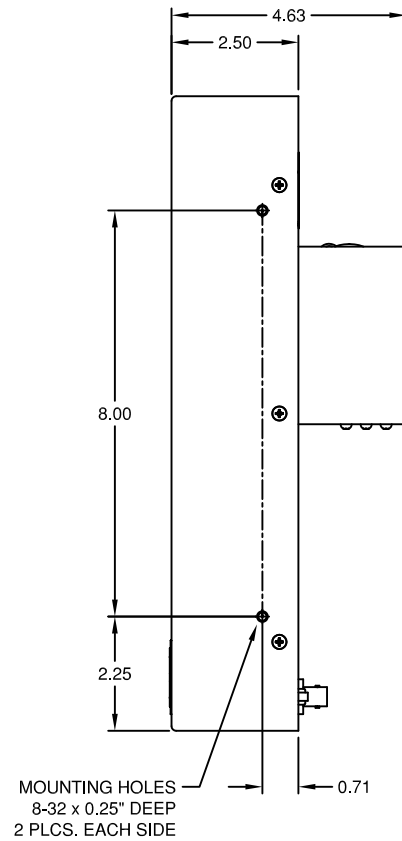
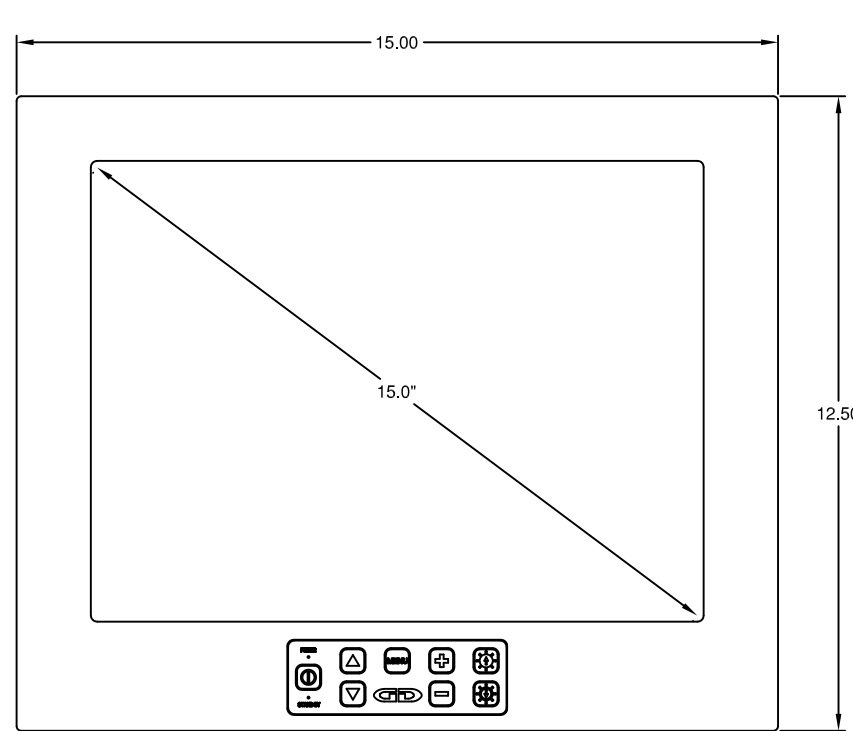
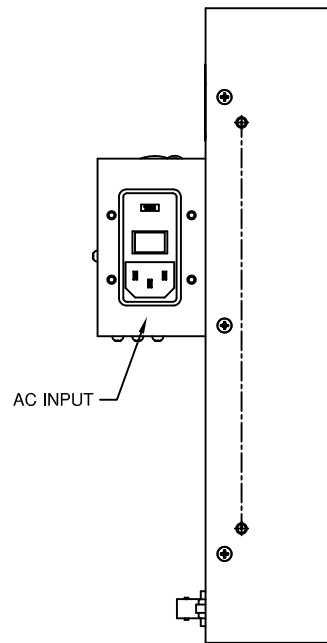
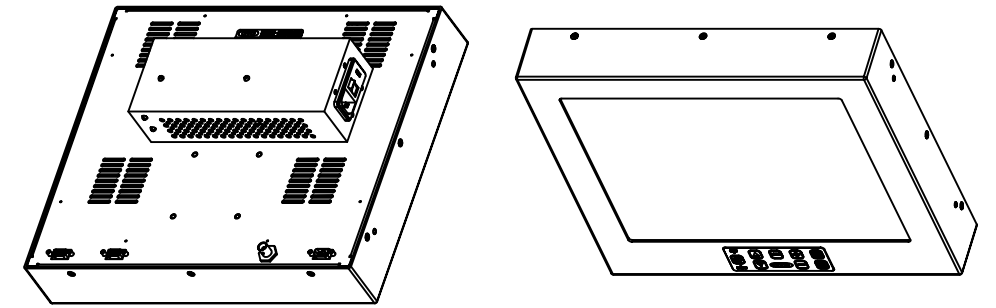
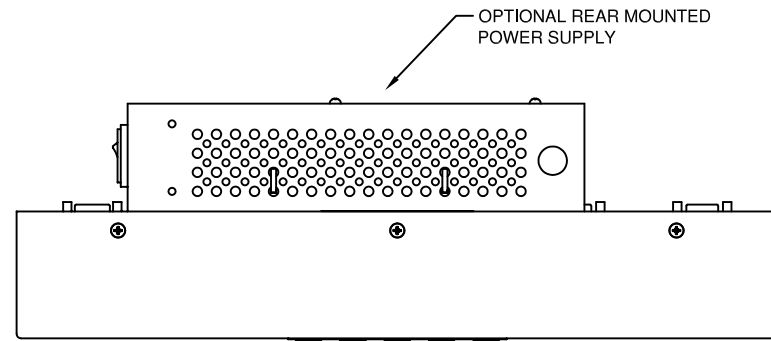


THIS DOCUMENT CONTAINS PROPRIETARY INFORMATION OF GENERAL DIGITAL AND IS NOT TO BE DISCLOSED, REPRODUCED OR PUBLISHED WITHOUT WRITTEN CONSENT FROM GENERAL DIGITAL. THIS DOCUMENT MUST BE RENDERED ILLEGIBLE WHEN BEING DISCARDED. © COPYRIGHT 2004. ALL RIGHTS RESERVED.

CMG-15X-4cc-dd-00-01-gg-hP01



CONNECTOR CHART			MECHANICAL OUTLINE ONLY. SPECIFICATIONS SUBJECT TO CHANGE WITHOUT NOTICE. U.O.S. ALL DIMENSIONS ARE IN INCHES.	
DESIGNATION	FUNCTION	TYPE	APPROVALS	DATE
CN1	+12 VDC INPUT (OPT)	DE-2W2-P	DRAWN	05-Oct-04
CN2	COMPOSITE VIDEO INPUT (OPT)	BNC STYLE	CHECKED	05-Oct-04
CN3	ANALOG VIDEO INPUT	DE-15-S	T.R.	05-Oct-04
CN4	SERIAL INPUT (OPT)	DE-9-P	APPROVED	05-Oct-04
			B.G.	
DO NOT SCALE DRAWING				

GD GENERAL DIGITAL
The Innovators of Flat Panel Technology
 8 Nutmeg Road South, South Windsor, CT 06074
 (860) 282-2900 www.GeneralDigital.com

INDUSTRIAL MONITOR KIT
15.0" XGA FLAT PANEL MONITOR

B	CAGE CODE	DWG. NO.	REV
	1JA77	04-20	-