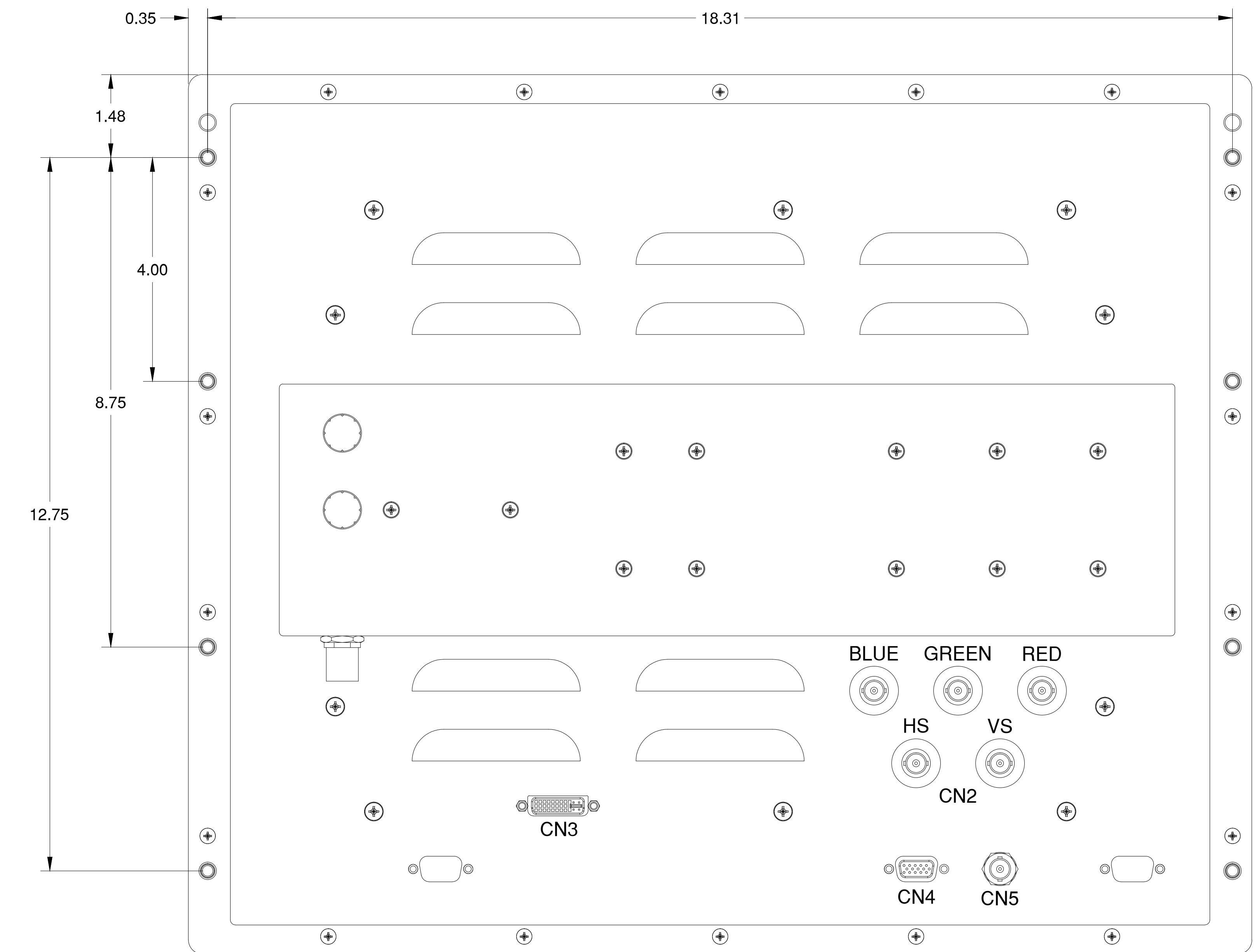
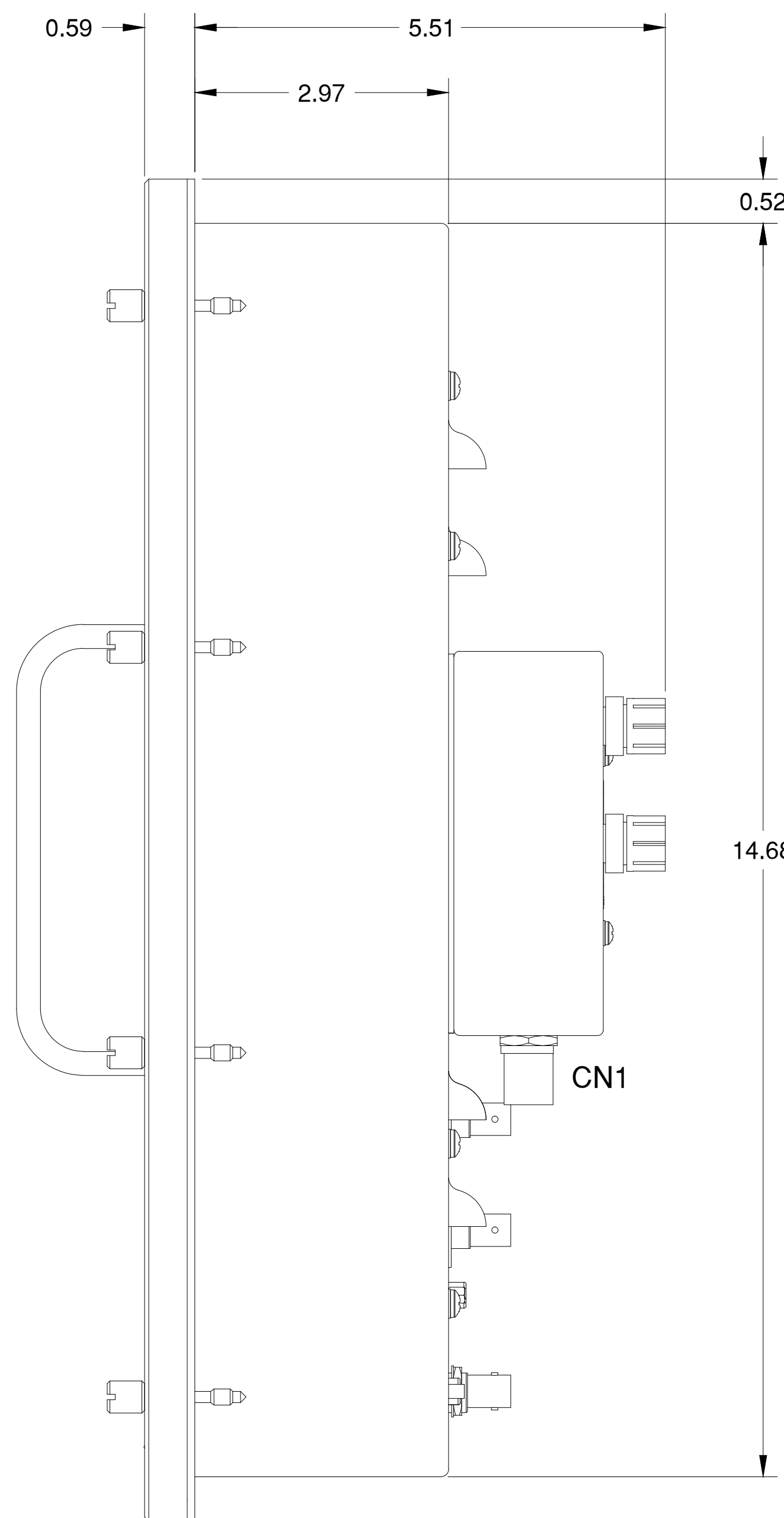
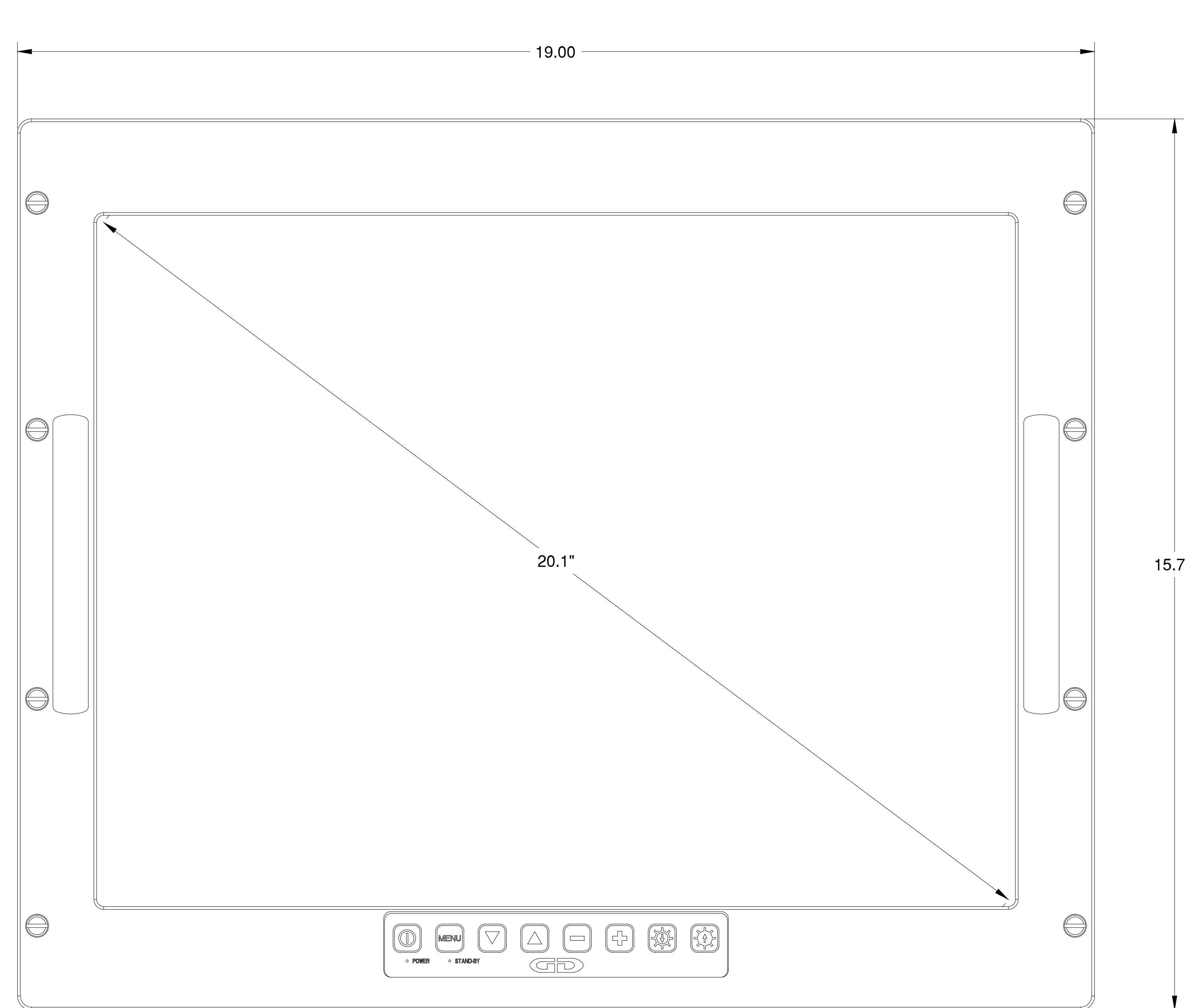
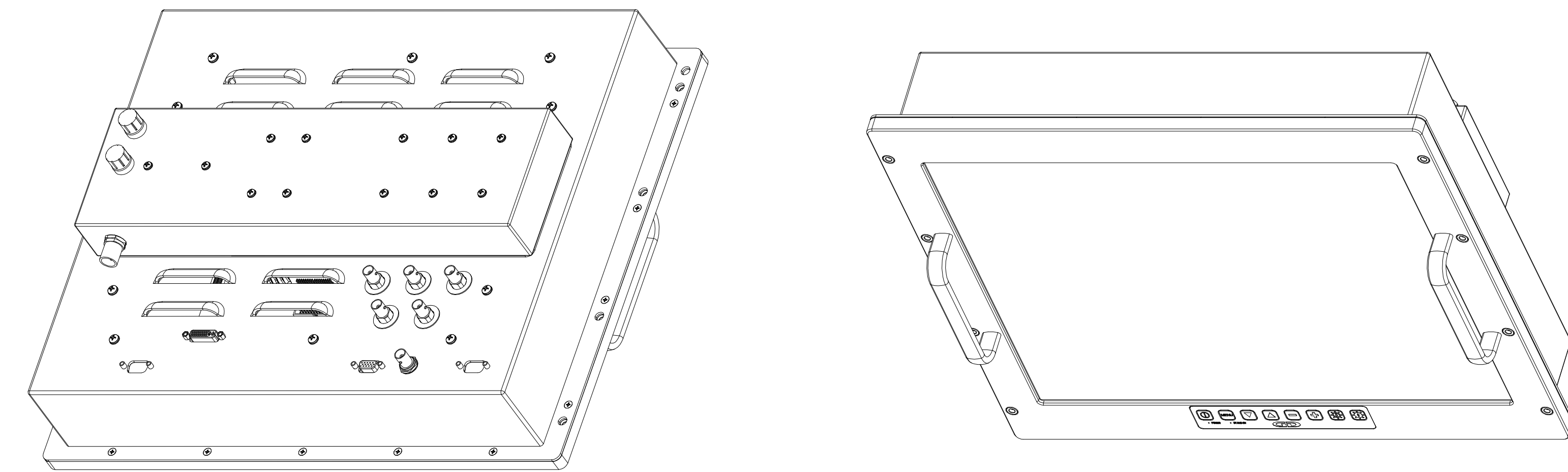
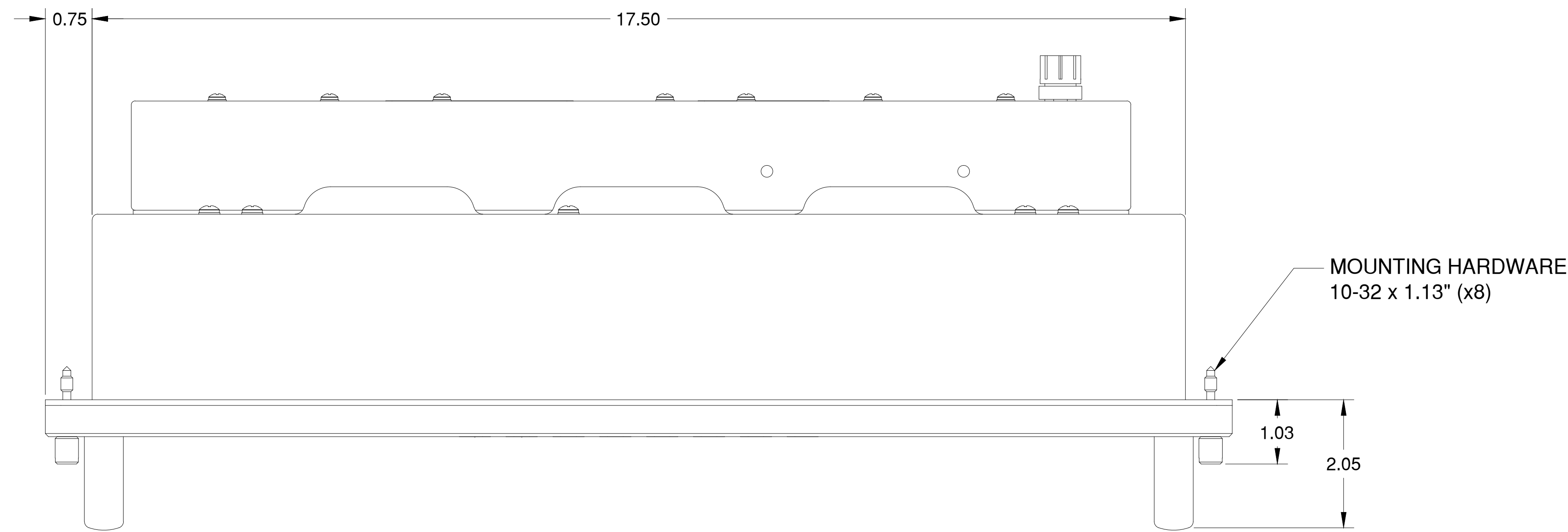


(X) OPTION	UNIT DESCRIPTION
-	SABER RACKMOUNT
S	SABER RACKMOUNT SOLAR
SN	SABER RACKMOUNT SOLAR/NVIS
D	SABER RACKMOUNT DAYLIGHT READABLE

(X)CMR-20U-cccc-107-00-55-gg-EA26-zzz



THIS DOCUMENT CONTAINS PROPRIETARY INFORMATION OF GENERAL DIGITAL AND IS NOT TO BE DISCLOSED, REPRODUCED OR PUBLISHED WITHOUT WRITTEN CONSENT FROM GENERAL DIGITAL. THIS DOCUMENT MUST BE RENDERED ILLEGIBLE WHEN BEING DISCARDED. © COPYRIGHT 2010. ALL RIGHTS RESERVED.

UNLESS OTHERWISE SPECIFIED DIMENSIONS ARE IN INCHES  
 TOLERANCES ARE:  
 FRACTIONS DECIMALS ANGLES  
 ±1/32 .X ±.050 ±0° 30'  
 .XX ±.031  
 .XXX±.020

CONNECTOR CHART

DESIGNATION	FUNCTION	TYPE
CN1	AC INPUT (MIL SPEC)	MS27468T9B98P
CN2	ANALOG VIDEO INPUT	5 BNC's
CN3	DIGITAL VIDEO INPUT	DVI-I (DVI-D SIGNAL)
CN4	ANALOG VIDEO INPUT	DE-15-S
CN5	COMPOSITE VIDEO INPUT	BNC STYLE

MECHANICAL OUTLINE ONLY. SPECIFICATIONS SUBJECT TO CHANGE WITHOUT NOTICE. U.O.S. ALL DIMENSIONS ARE IN INCHES.

APPROVALS		DATE
DRAWN	GL	17-Mar-14
CHECKED	T.R.	
APPROVED	C.P.	
<b>DO NOT SCALE DRAWING</b>		



*The Innovators of Flat Panel Technology*  
 8 Nutmeg Road South, South Windsor, CT 06074  
 (860) 282-2900 www.GeneralDigital.com

SABER RACKMOUNT  
 20.1" UXGA MONITOR

REV	DATE	ECN	DESCRIPTION	BY
A	09-Jul-14	-	ADDED DISPLAY OPTIONS TABLE	GL

B	CAGE CODE	DWG. NO.	REV
	1JA77	14-23	A