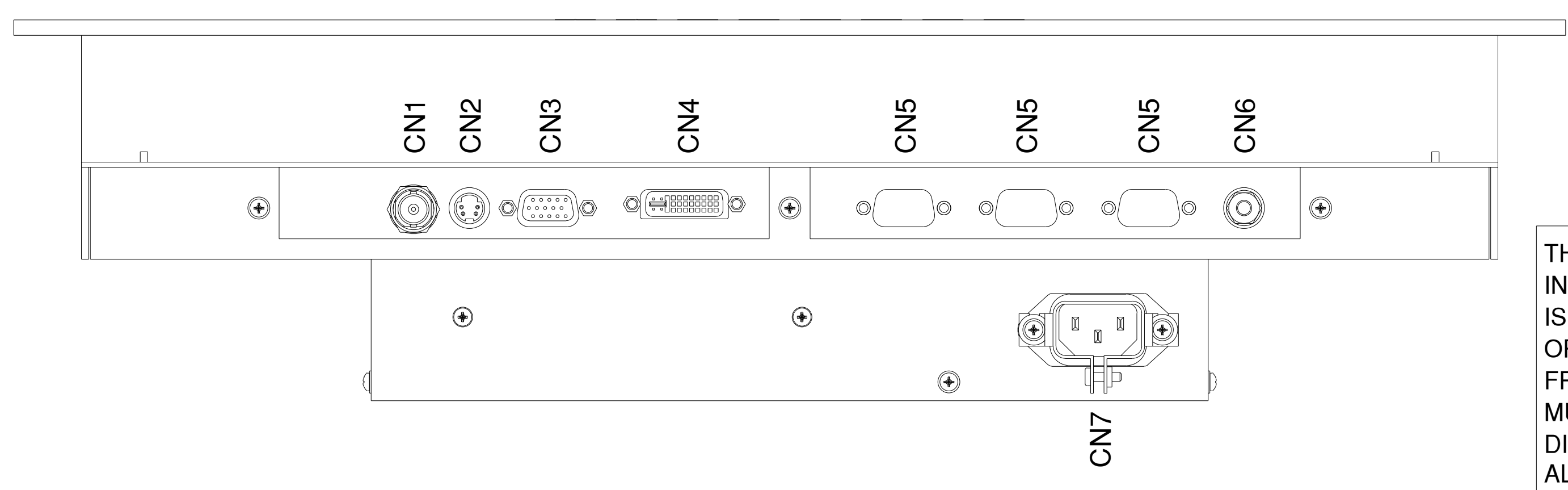
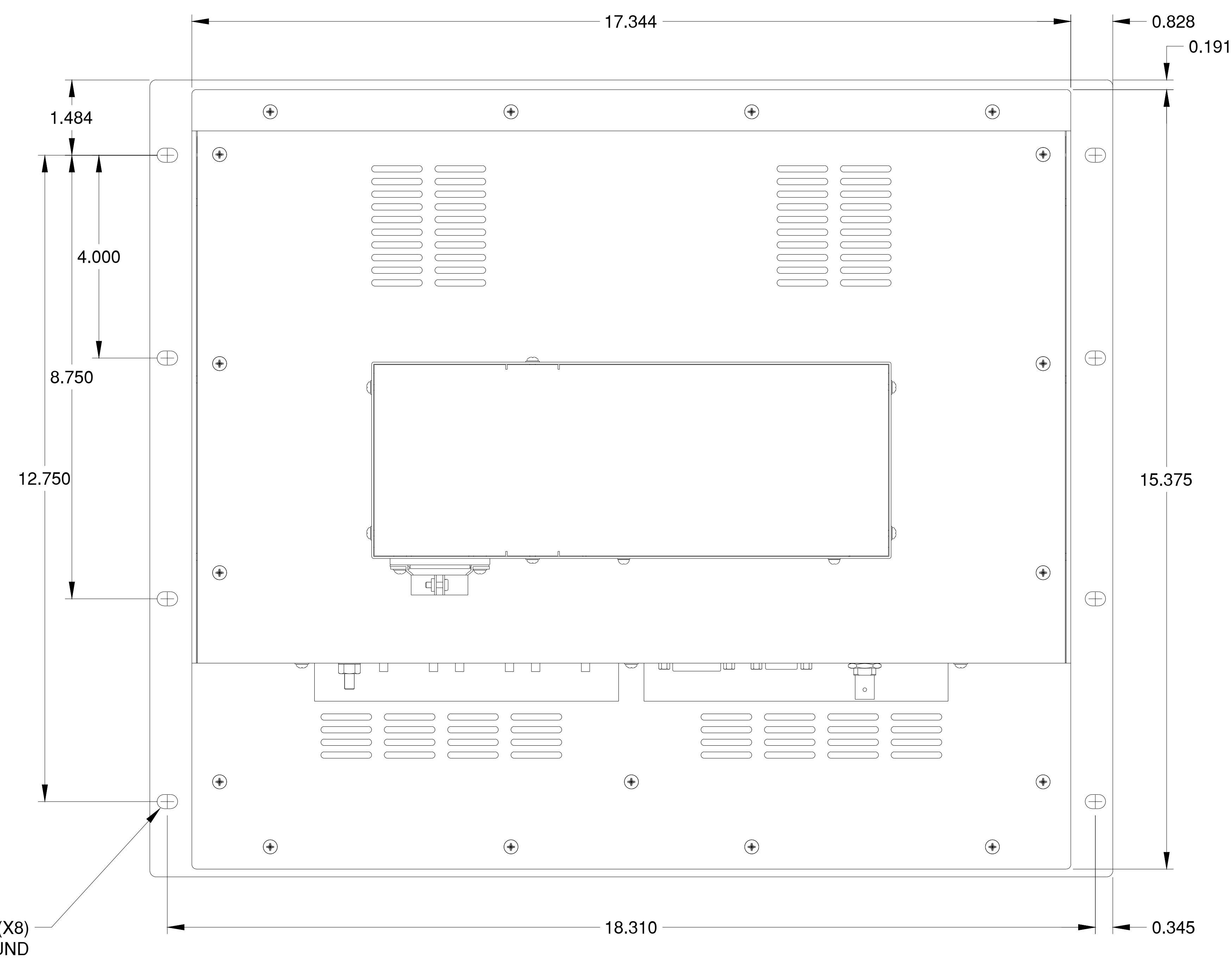
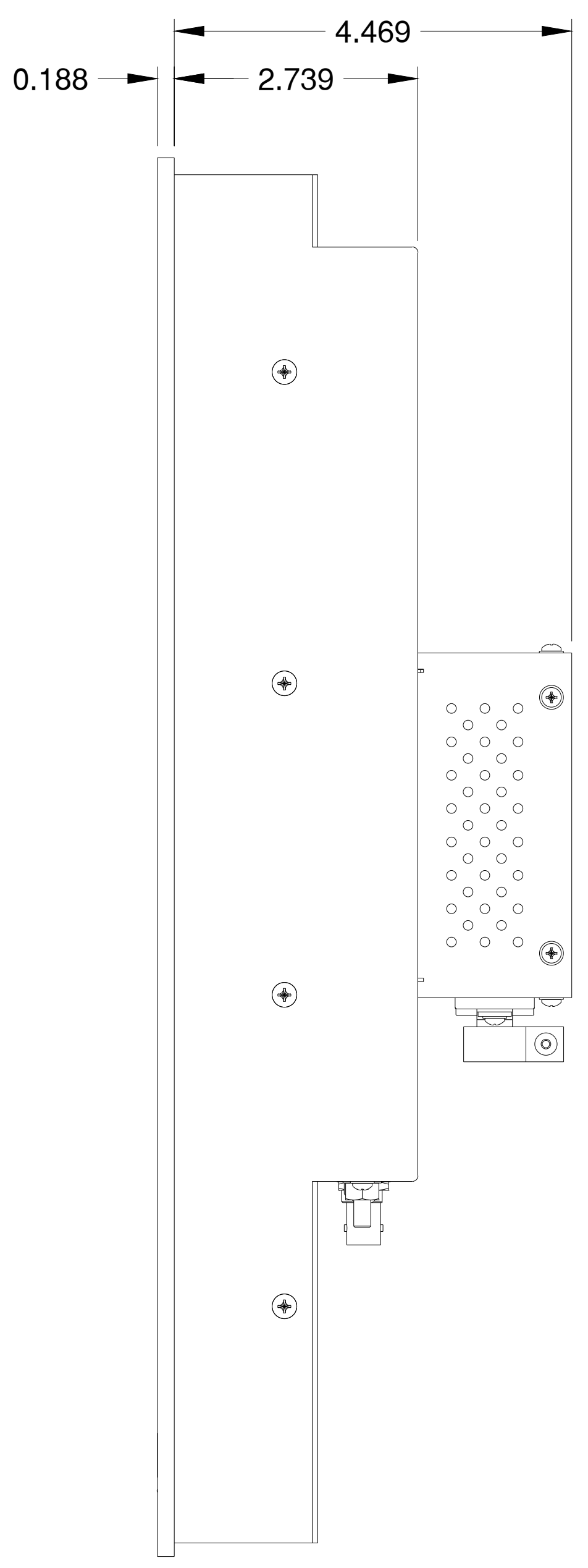
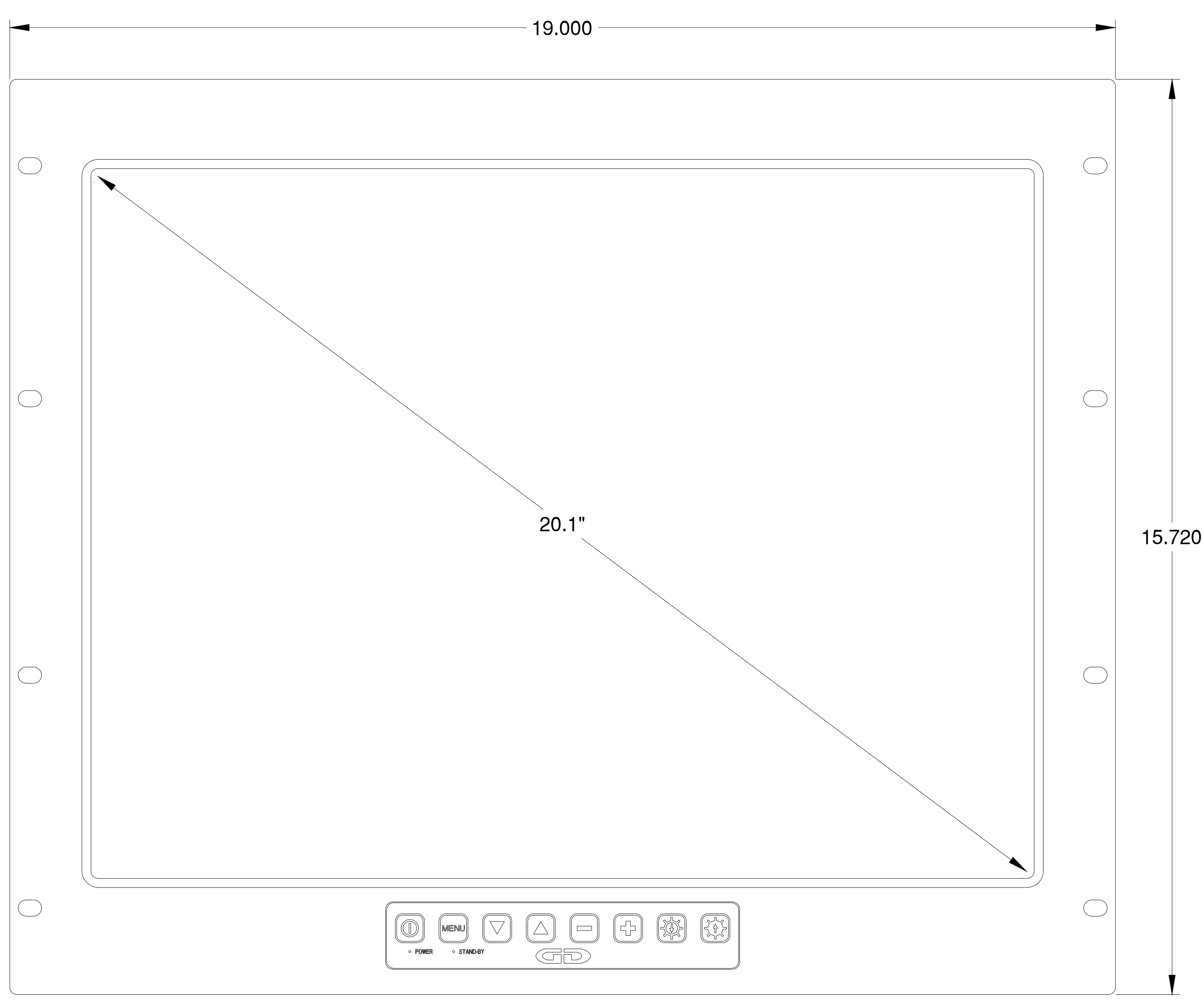
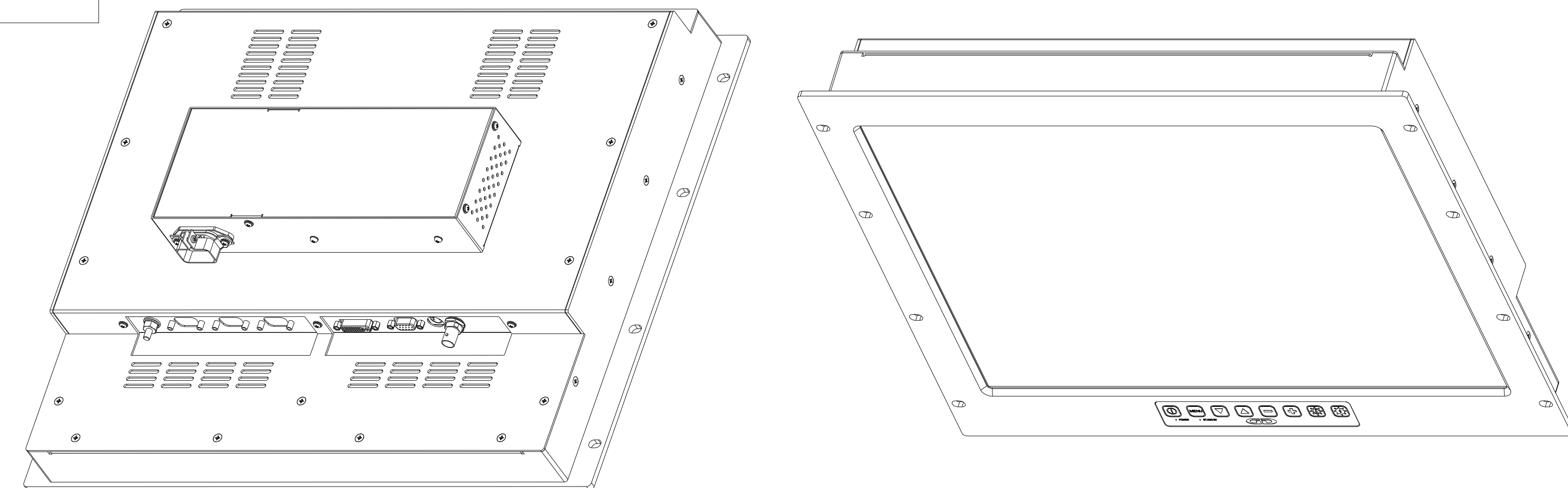
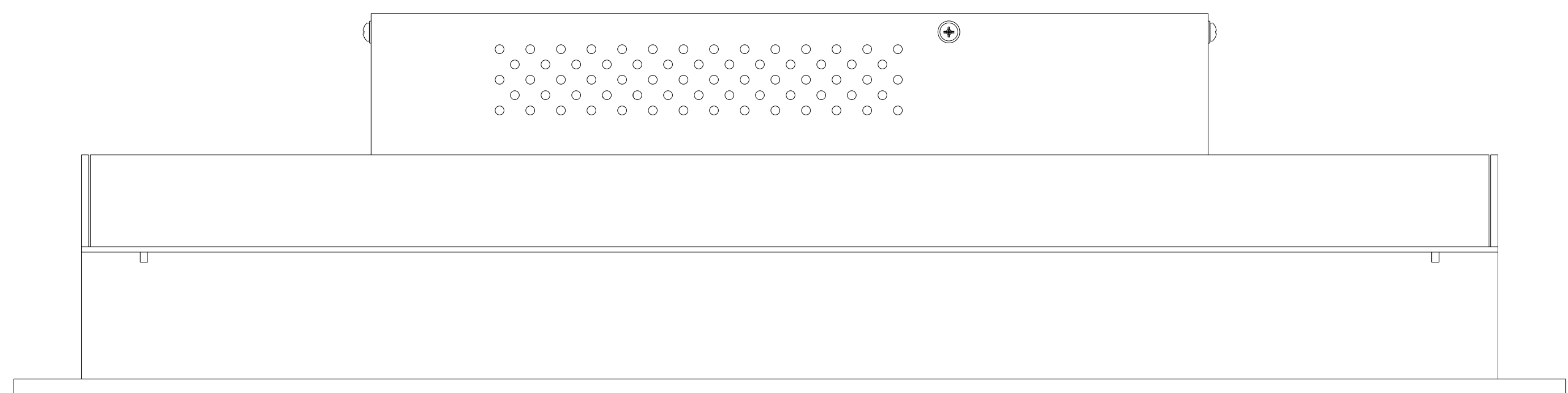


(X) OPTION	UNIT DESCRIPTION
-	SABER RACKMOUNT
S	SABER RACKMOUNT SOLAR
SN	SABER RACKMOUNT SOLAR/NVIS
D	SABER RACKMOUNT DAYLIGHT READABLE

(X)RM-20U-cccc-107-00-16-gg-EP14-000



THIS DOCUMENT CONTAINS PROPRIETARY INFORMATION OF GENERAL DIGITAL AND IS NOT TO BE DISCLOSED, REPRODUCED OR PUBLISHED WITHOUT WRITTEN CONSENT FROM GENERAL DIGITAL. THIS DOCUMENT MUST BE RENDERED ILLEGIBLE WHEN BEING DISCARDED. © COPYRIGHT 2013. ALL RIGHTS RESERVED.

UNLESS OTHERWISE SPECIFIED DIMENSIONS ARE IN INCHES
 TOLERANCES ARE:
 FRACTIONS DECIMALS ANGLES
 ±1/32 .X ±.050 ±0° 30'
 .XX ±.031
 .XXX±.020

CONNECTOR CHART		
DESIGNATION	FUNCTION	TYPE
CN1	COMPOSITE VIDEO INPUT	BNC STYLE
CN2	S VIDEO INPUT	4-PIN MINI DIN
CN3	ANALOG VIDEO INPUT	DE-15-S
CN4	DVI-D INPUT	DVI-D
CN5	SPARE CONNECTOR PORTS (X3)	DE-9 STYLE
CN6	GROUND STUD	10-32 UNF-2A
CN7	AC INPUT	IEC-320

MECHANICAL OUTLINE ONLY. SPECIFICATIONS SUBJECT TO CHANGE WITHOUT NOTICE. U.O.S. ALL DIMENSIONS ARE IN INCHES.

APPROVALS		DATE
DRAWN	C.P.	13-Nov-13
CHECKED	T.R.	13-Nov-13
APPROVED	B.G.	13-Nov-13

DO NOT SCALE DRAWING



SABER RACKMOUNT
20.1" UXGA MONITOR

REV	DATE	ECN	DESCRIPTION	BY
A	09-Jul-14	-	ADDED DISPLAY OPTIONS TABLE	GL

CAGE CODE	DWG. NO.	REV
1JA77	13-88	A