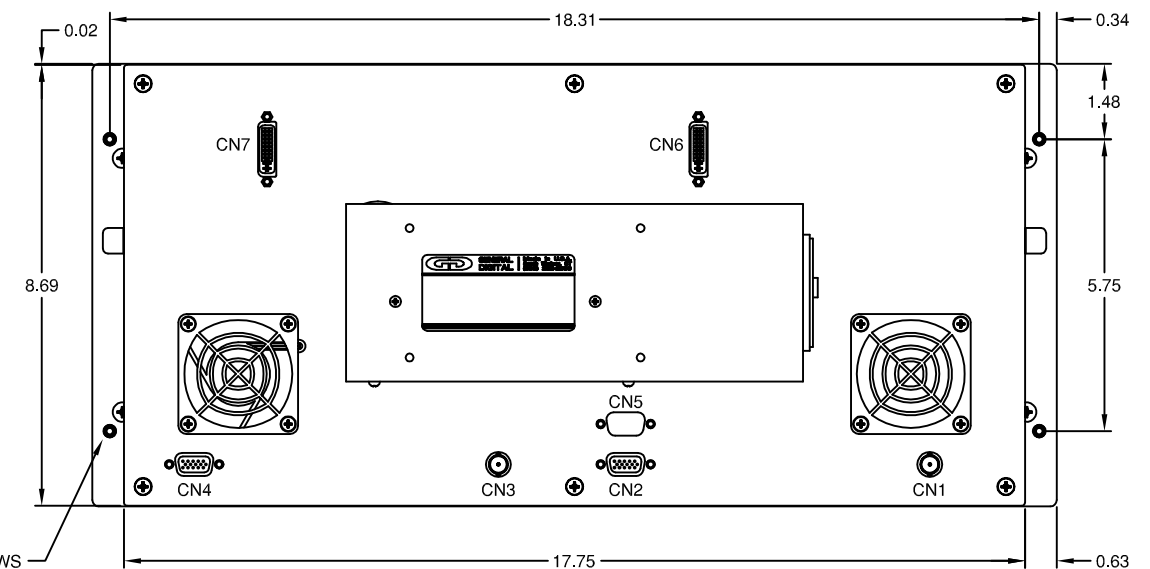
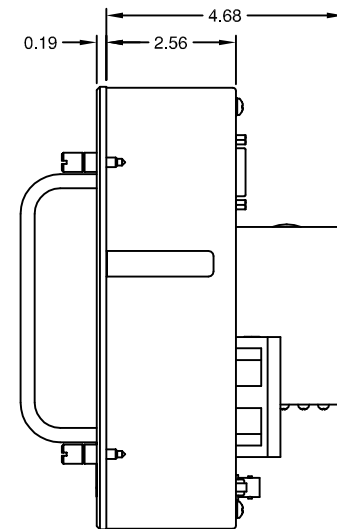
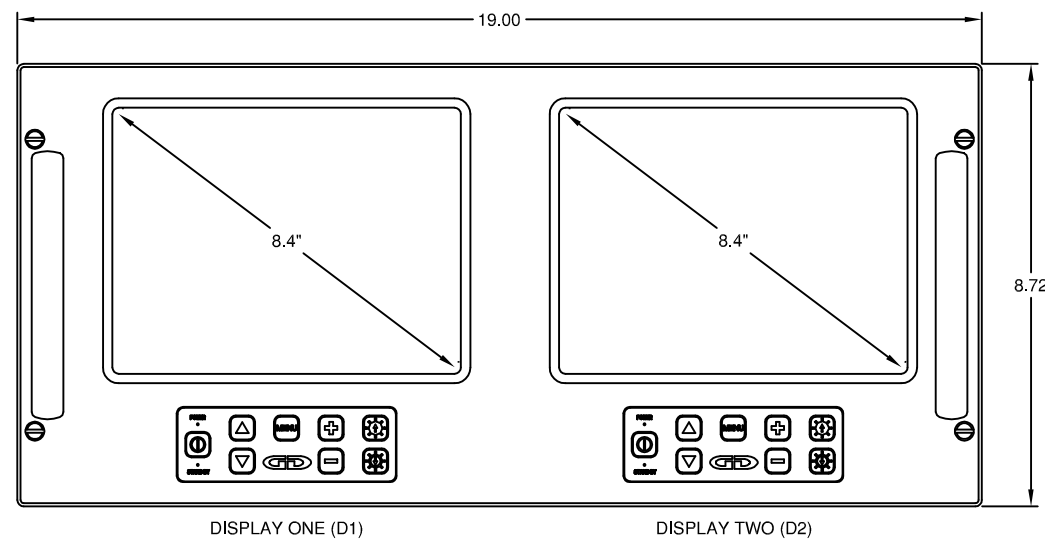
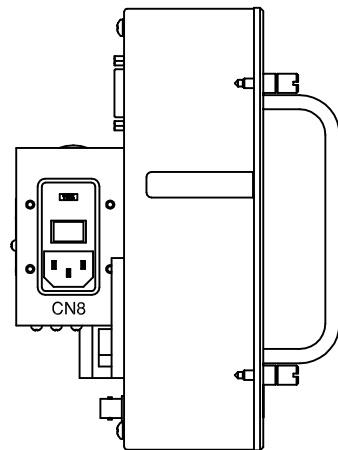
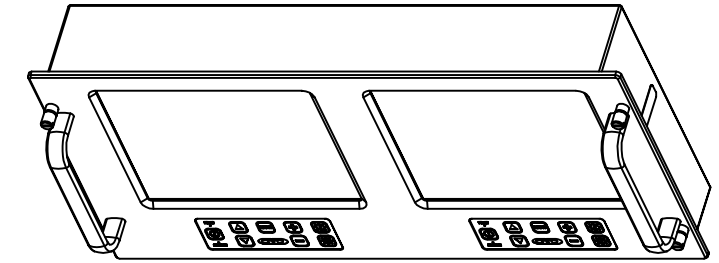
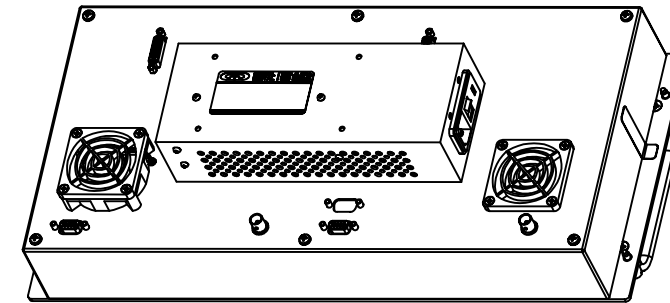
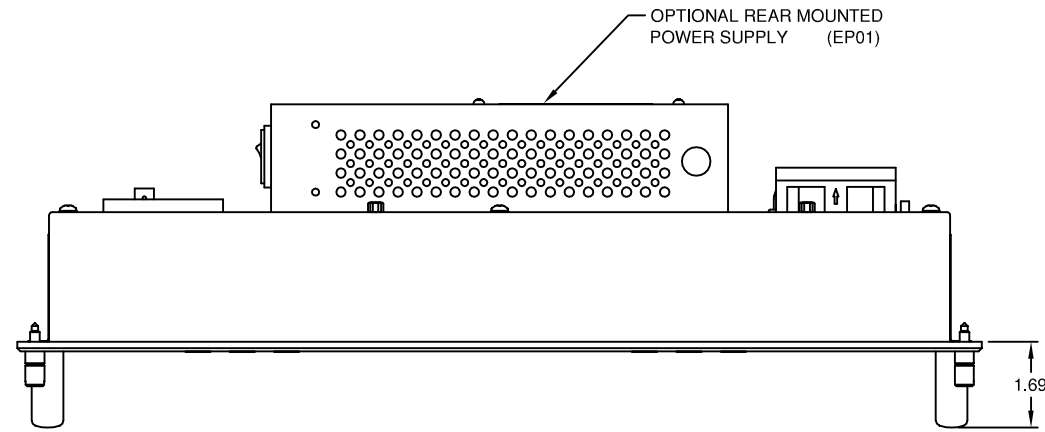


THIS DOCUMENT CONTAINS PROPRIETARY INFORMATION OF GENERAL DIGITAL AND IS NOT TO BE DISCLOSED, REPRODUCED OR PUBLISHED WITHOUT WRITTEN CONSENT FROM GENERAL DIGITAL. THIS DOCUMENT MUST BE RENDERED ILLEGIBLE WHEN BEING DISCARDED. © COPYRIGHT 2006. ALL RIGHTS RESERVED.

RM-08V-170-17-00-01-02-EP01-Dual



10-32 CAPTIVE SCREWS  
4 PLACES (OPTIONAL)

UNLESS OTHERWISE SPECIFIED  
DIMENSIONS ARE IN INCHES  
TOLERANCES ARE:  
FRACTIONS DECIMALS ANGLES  
±1/32 .X ±.031 ±0° 30'  
.XX ±.020

CONNECTOR CHART			MECHANICAL OUTLINE ONLY. SPECIFICATIONS SUBJECT TO CHANGE WITHOUT NOTICE. U.O.S. ALL DIMENSIONS ARE IN INCHES.	
DESIGNATION	FUNCTION	TYPE	APPROVALS	DATE
CN1	COMPOSITE VIDEO INPUT (D1)	BNC STYLE	C.P.	14-Feb-06
CN2	ANALOG VIDEO INPUT (D1)	DE-15-S		
CN3	COMPOSITE VIDEO INPUT (D2)	BNC STYLE	T.R.	14-Feb-06
CN4	ANALOG VIDEO INPUT (D2)	DE-15-S		
CN5	12V DC INPUT (OPTIONAL)	DE-2W2	B.G.	14-Feb-06
CN6	DVI-D VIDEO INPUT (D1)	DVI-I-S		
CN7	DVI-D VIDEO INPUT (D2)	DVI-I-S	DO NOT SCALE DRAWING	
CN8	AC INPUT	IEC-320		



*The Innovators of Flat Panel Technology*  
8 Nutmeg Road South, South Windsor, CT 06074  
(860) 282-2900 www.GeneralDigital.com

**RGB DUAL RACK MOUNT MONITOR  
8.4" VGA FLAT PANEL MONITOR**

<b>B</b>	CAGE CODE	DWG. NO.	REV
	1JA77	06-04	-