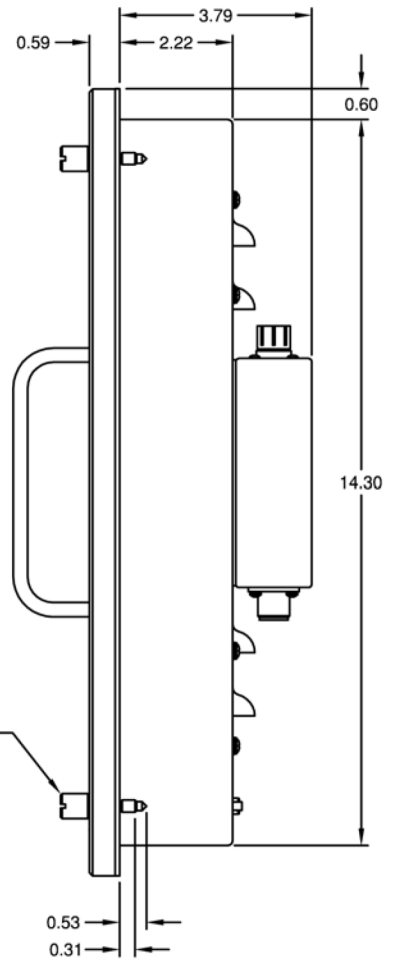
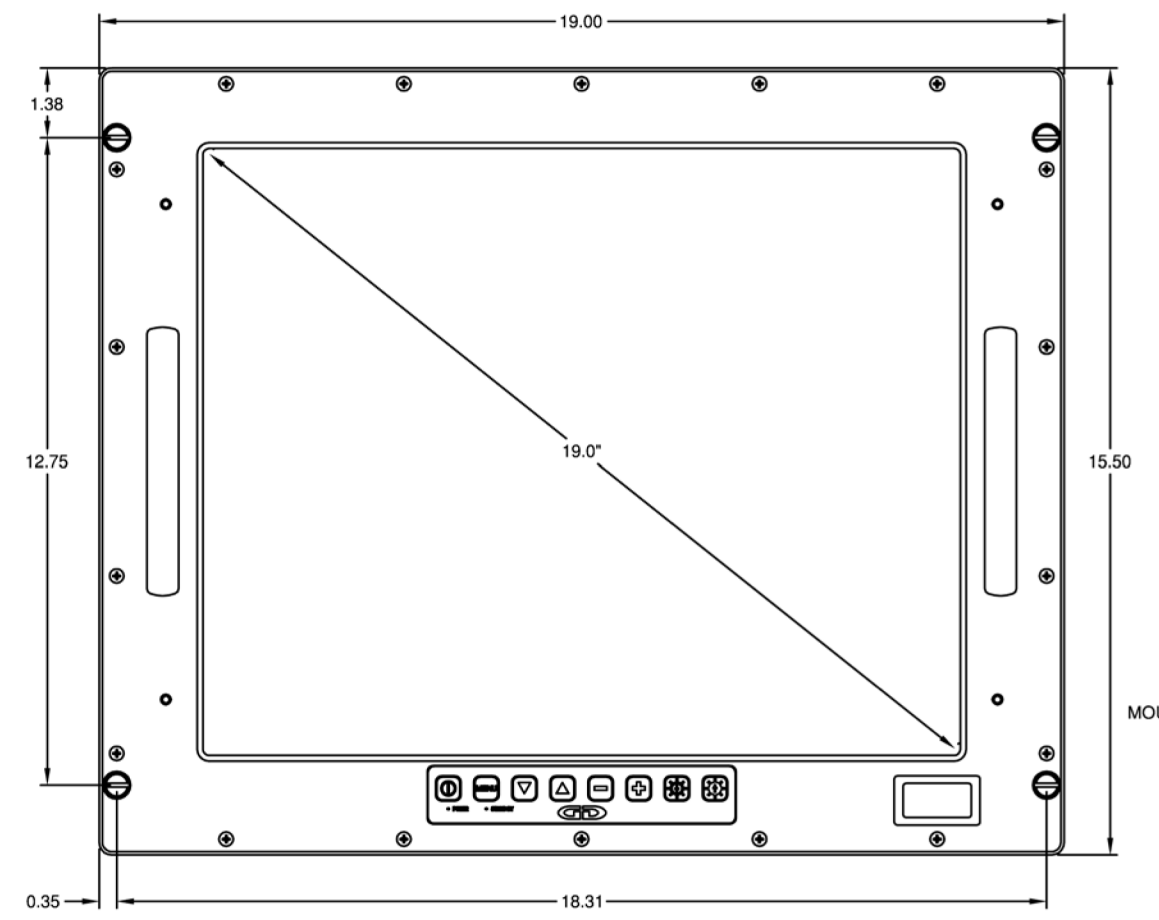
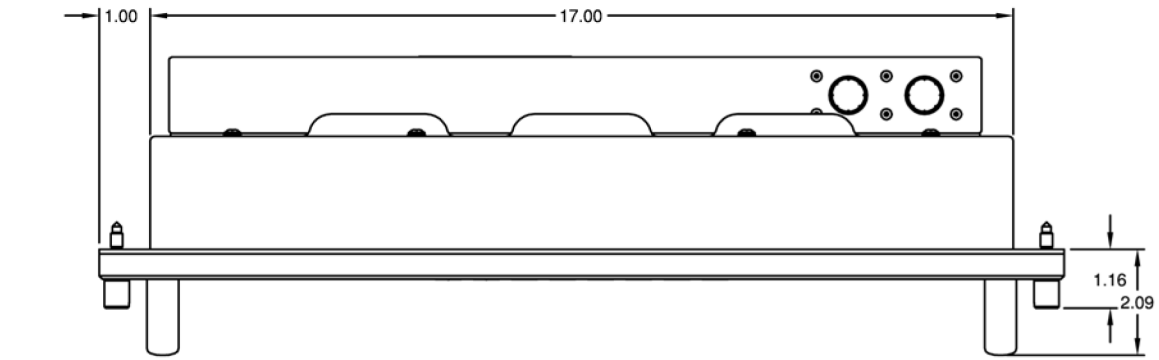
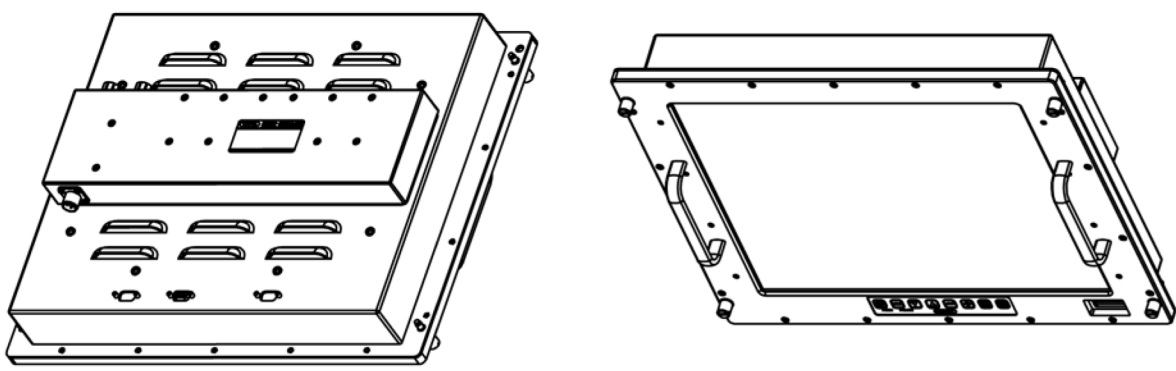
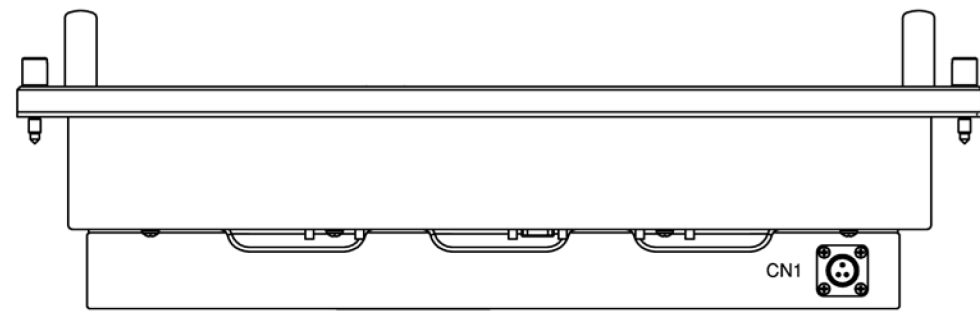
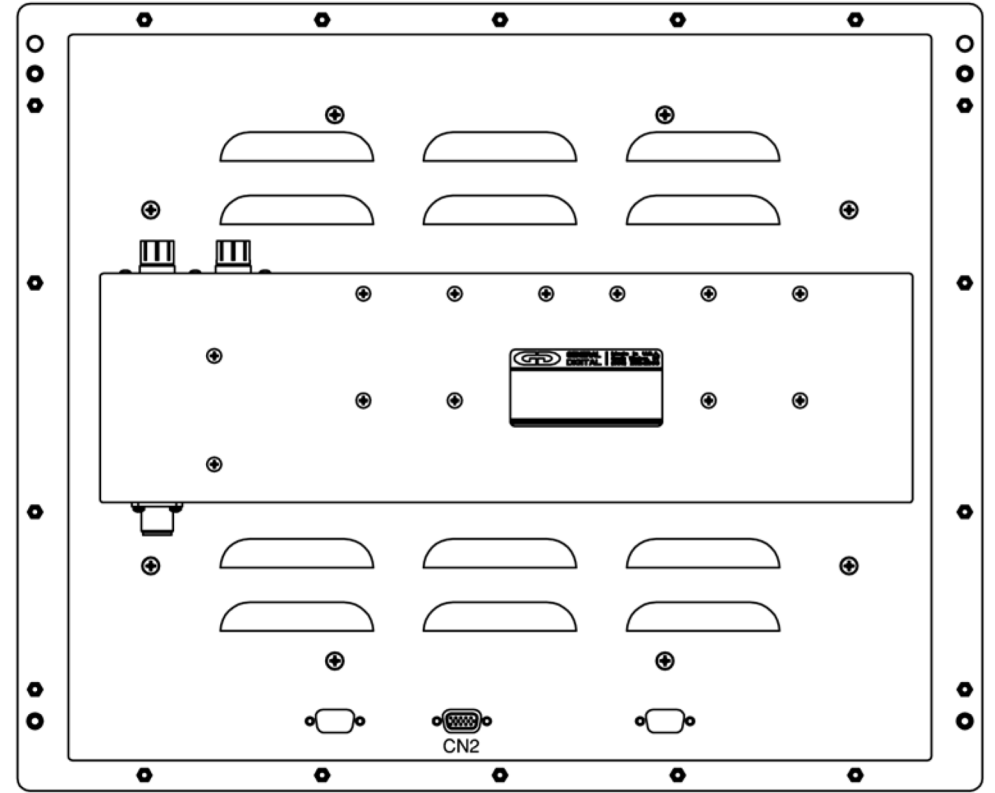


THIS DOCUMENT CONTAINS PROPRIETARY INFORMATION OF GENERAL DIGITAL AND IS NOT TO BE DISCLOSED, REPRODUCED OR PUBLISHED WITHOUT WRITTEN CONSENT FROM GENERAL DIGITAL. THIS DOCUMENT MUST BE RENDERED ILLEGIBLE WHEN BEING DISCARDED. © COPYRIGHT 2006. ALL RIGHTS RESERVED.

SNCMP-19W-966-08-00-51-23-EA03



MOUNTING HARDWARE
M6x1 x 28.5mm (X4)



UNLESS OTHERWISE SPECIFIED
DIMENSIONS ARE IN INCHES
TOLERANCES ARE:
FRACTIONS DECIMALS ANGLES
±1/32 .X ±.031 ±0° 30'
.XX ±.020

CONNECTOR CHART			MECHANICAL OUTLINE ONLY. SPECIFICATIONS SUBJECT TO CHANGE WITHOUT NOTICE. U.O.S. ALL DIMENSIONS ARE IN INCHES.	
DESIGNATION	FUNCTION	TYPE	APPROVALS	DATE
CN1	AC INPUT	MS3402D10SL-3P	C.P.	21-Jul-06
CN2	ANALOG VIDEO INPUT	DE-15-S	T.R.	21-Jul-06
CN3			B.G.	21-Jul-06
CN4				
CN5				

DO NOT SCALE DRAWING

GD GENERAL DIGITAL
The Innovators of Flat Panel Technology
8 Nutmeg Road South, South Windsor, CT 06074
(860) 282-2900 www.GeneralDigital.com

Chassis Monitor Panel Mount (COTS)
19.0" SXGA Flat Panel Monitor

B	CAGE CODE	DWG. NO.	REV
	1JA77	06-12	-