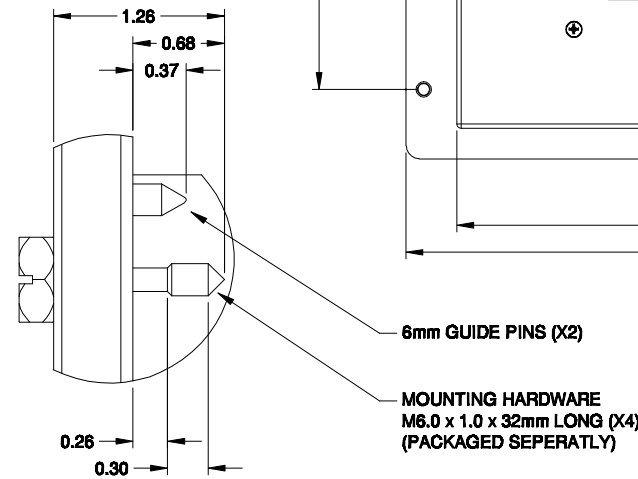
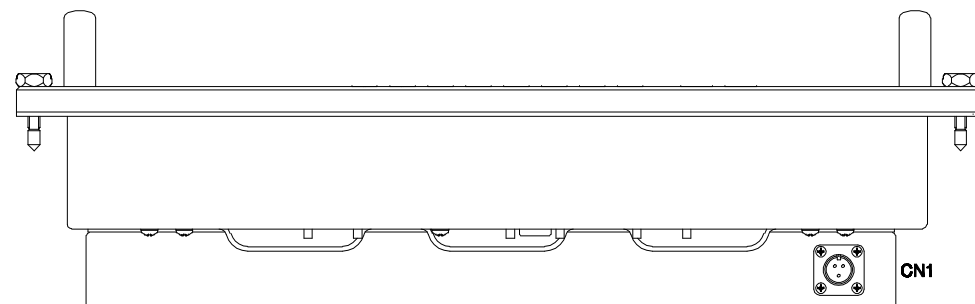
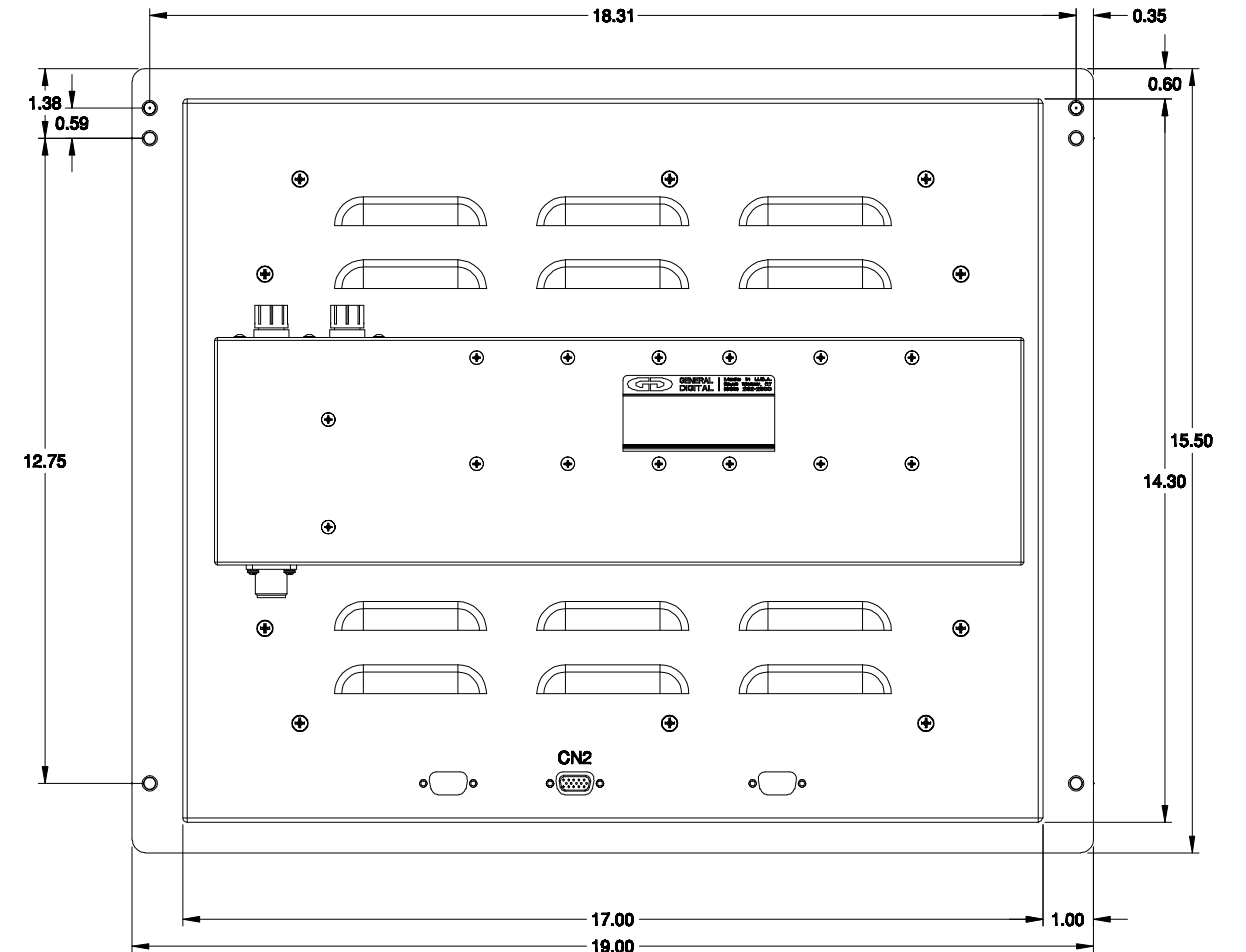
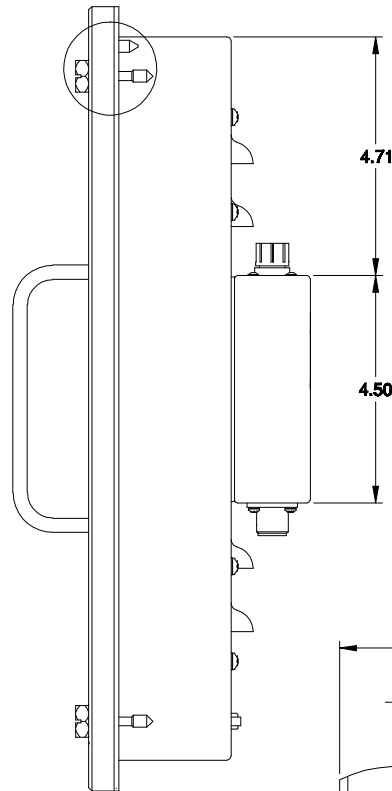
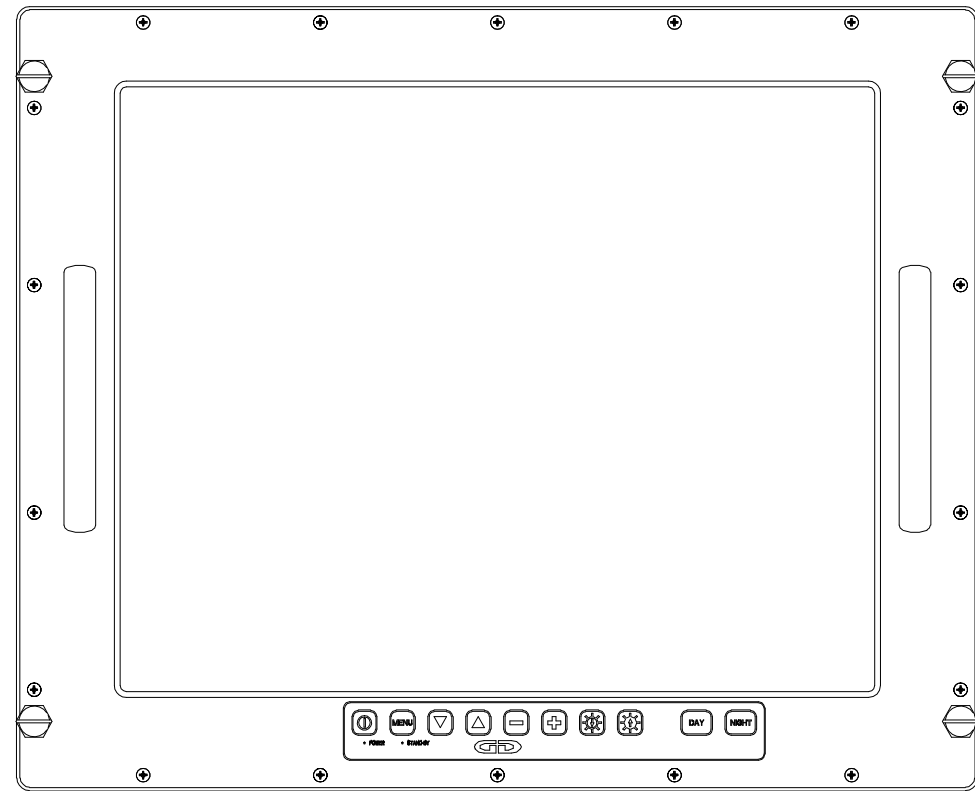
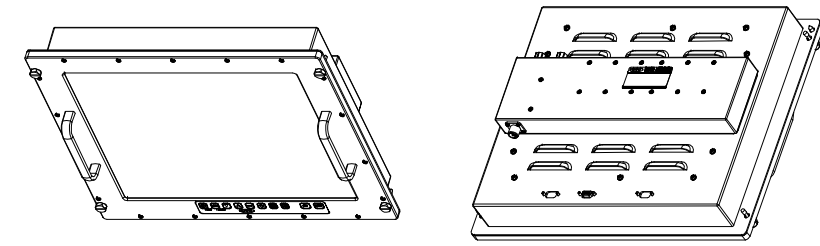
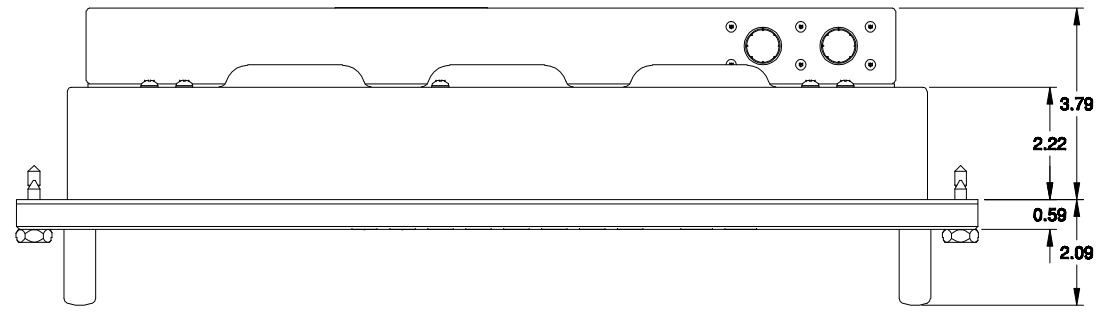


CUSTOMER APPROVAL

COMPANY	NAME (PRINT)
DATE	SIGNATURE

SNCMP-19W-9034-122-00-51-25-EP78-077

90-850-115-F



6mm GUIDE PINS (X2)
MOUNTING HARDWARE
M6.0 x 1.0 x 32mm LONG (X4)
(PACKAGED SEPERATLY)

SHEET 1 OF 2


REV	DATE	ECN	DESCRIPTION	BY
F	29-Jan-19	E005514	CHANGED PER ECN E005514	CP
E	13-Dec-16	E004853	CHANGED PER ECN E004853	CP
D	05-Jul-13	E003295	CHANGED PER ECN E003295	CP
C	15-Jun-07	E001833	CHANGED PER ECN E001833	CP

THIS DOCUMENT CONTAINS PROPRIETARY INFORMATION OF GENERAL DIGITAL AND IS NOT TO BE DISCLOSED, REPRODUCED OR PUBLISHED WITHOUT WRITTEN CONSENT FROM GENERAL DIGITAL. THIS DOCUMENT MUST BE RENDERED ILLEGIBLE WHEN BEING DISCARDED. © COPYRIGHT 2019. ALL RIGHTS RESERVED.

UNLESS OTHERWISE SPECIFIED DIMENSIONS ARE IN INCHES
TOLERANCES ARE:
FRACTIONS DECIMALS ANGLES
±1/32 .X ±.050 ±0° 30'
.XX ±.031
.XXX±.020

CONNECTOR CHART		
DESIGNATION	FUNCTION	TYPE
CN1	AC INPUT	MS3402D10SL-3P
CN2	ANALOG VIDEO INPUT	DE-15-S

MECHANICAL OUTLINE ONLY. SPECIFICATIONS SUBJECT TO CHANGE WITHOUT NOTICE. U.O.S. ALL DIMENSIONS ARE IN INCHES.		
APPROVALS	DATE	
DRAWN C.P.	21-Jul-06	
CHECKED S.B.	29-Jan-19	
APPROVED J.H.	29-Jan-19	
DO NOT SCALE DRAWING		



GENERAL DIGITAL
Engineering What's Next
8 Nutmeg Road South, South Windsor, CT 06074
(860) 282-2900 www.GeneralDigital.com

CHASSIS MONITOR PANEL MOUNT (COTS)
19.0" SXGA FLAT PANEL MONITOR

B	CAGE CODE	DWG. NO.	REV
	1JA77	850-115-97	-

