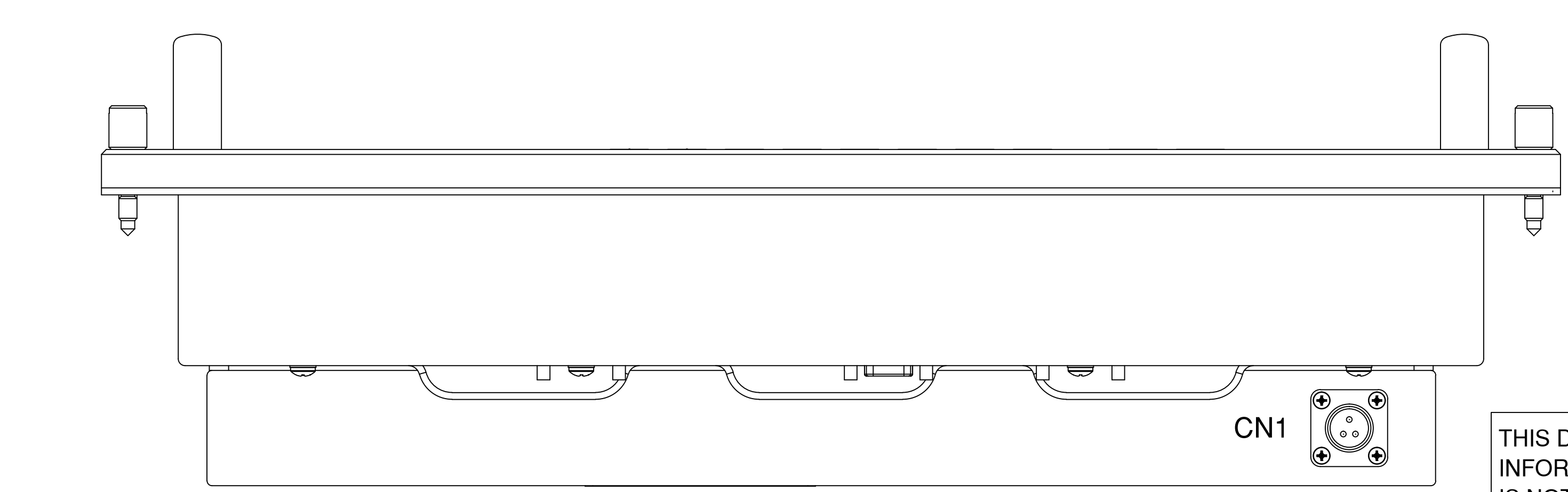
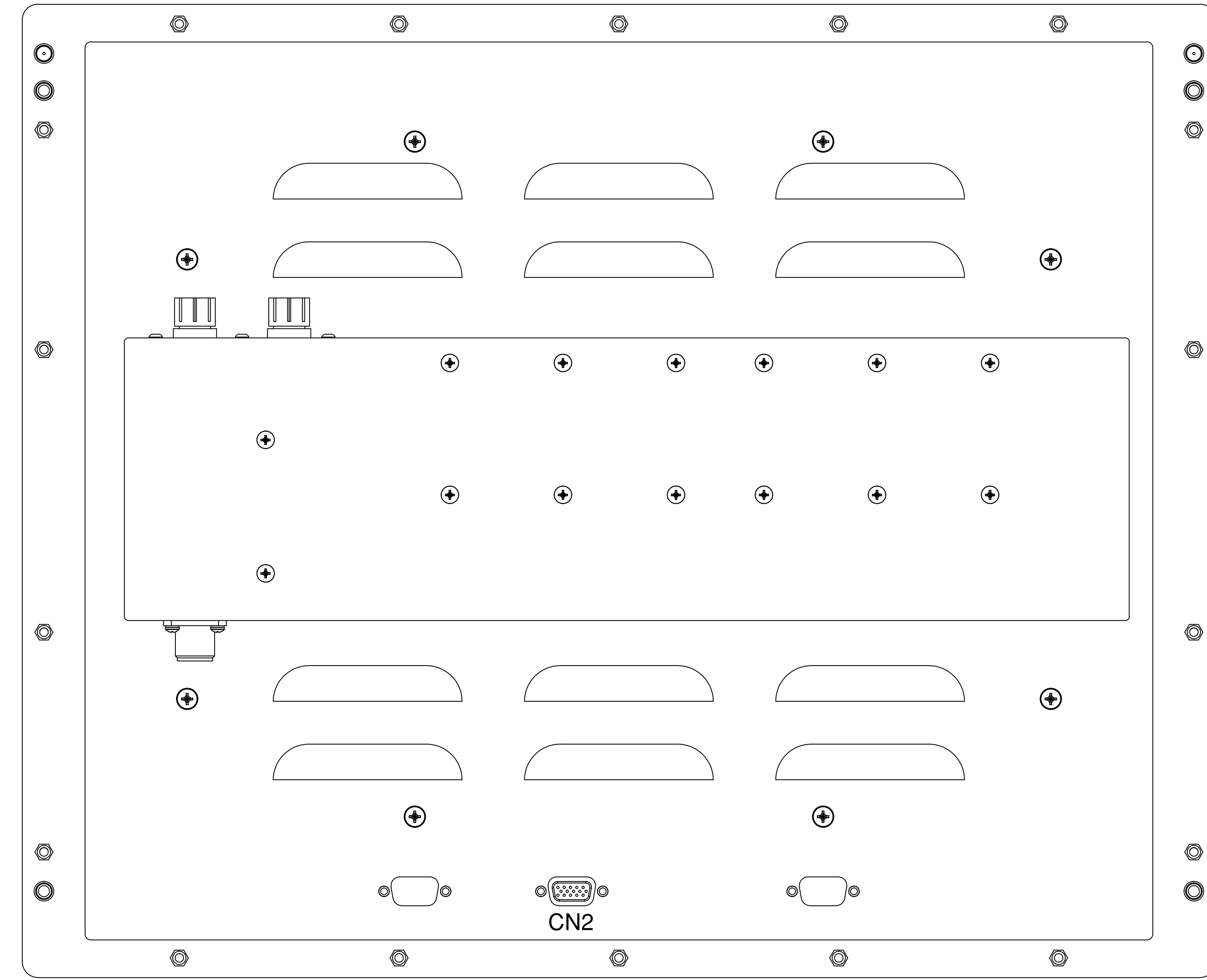


MOUNTING HARDWARE  
M6x1 x 28.5mm (X4)



THIS DOCUMENT CONTAINS PROPRIETARY INFORMATION OF GENERAL DIGITAL AND IS NOT TO BE DISCLOSED, REPRODUCED OR PUBLISHED WITHOUT WRITTEN CONSENT FROM GENERAL DIGITAL. THIS DOCUMENT MUST BE RENDERED ILLEGIBLE WHEN BEING DISCARDED. © COPYRIGHT 2012. ALL RIGHTS RESERVED.

UNLESS OTHERWISE SPECIFIED DIMENSIONS ARE IN INCHES  
TOLERANCES ARE:  
FRACTIONS DECIMALS ANGLES  
±1/32 .X ±.050 ±0° 30'  
.XX ±.031  
.XXX±.020

CONNECTOR CHART		
DESIGNATION	FUNCTION	TYPE
CN1	AC INPUT	MS3402D10SL-3P
CN2	ANALOG VIDEO INPUT	DE-15-S
CN3		
CN4		
CN5		

MECHANICAL OUTLINE ONLY. SPECIFICATIONS SUBJECT TO CHANGE WITHOUT NOTICE. U.O.S. ALL DIMENSIONS ARE IN INCHES.	
APPROVALS	DATE
DRAWN G.L.	08-Apr-14
CHECKED T.R.	
APPROVED B.G.	
DO NOT SCALE DRAWING	

**GD GENERAL DIGITAL**  
*The Innovators of Flat Panel Technology*  
 8 Nutmeg Road South, South Windsor, CT 06074  
 (860) 282-2900 www.GeneralDigital.com

**SABER PANEL MOUNT SOLAR/NVIS  
19.0" SXGA MONITOR**

REV	DATE	ECN	DESCRIPTION	BY

<b>B</b>	CAGE CODE	DWG. NO.	REV
	1JA77	14-40	-