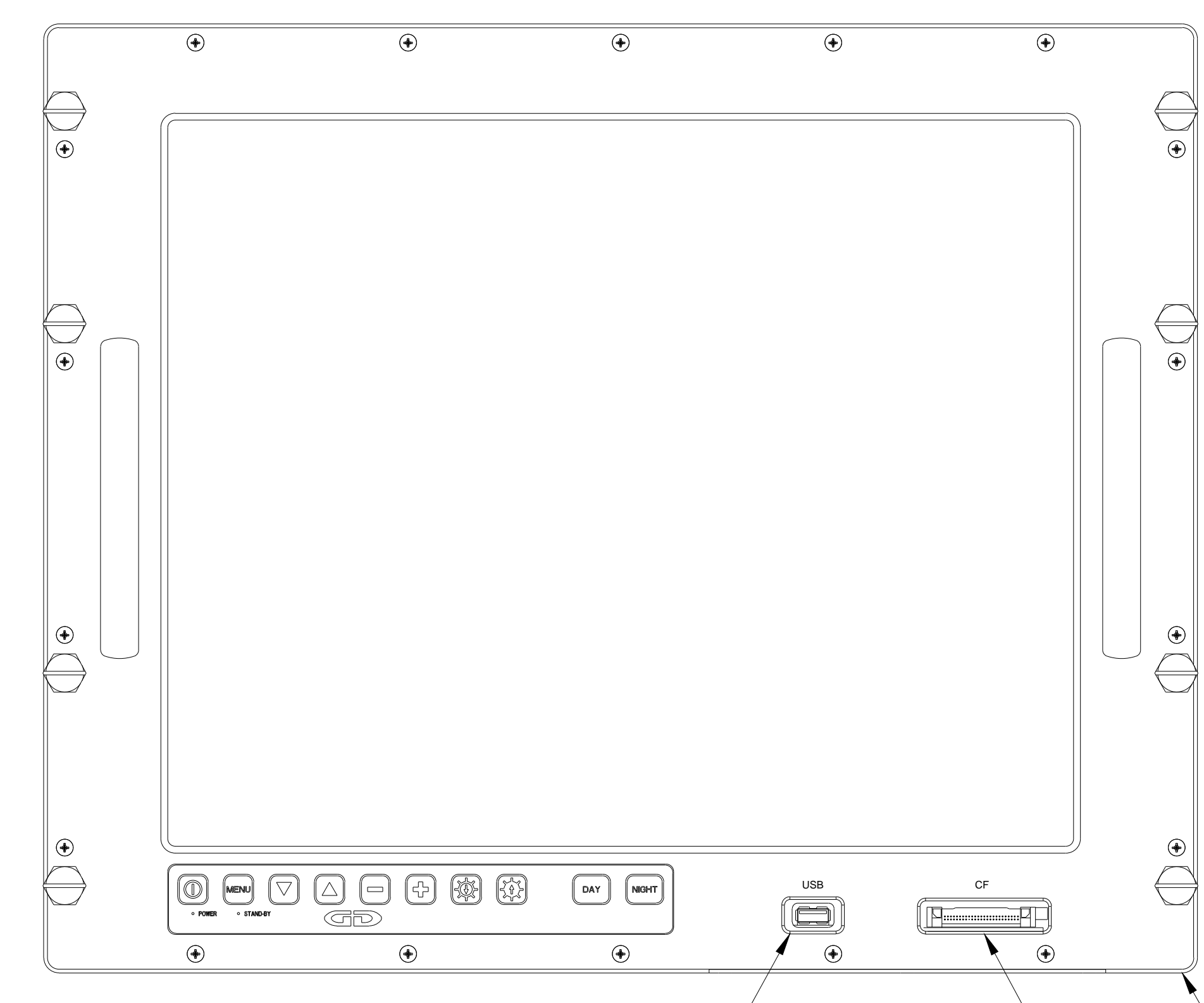
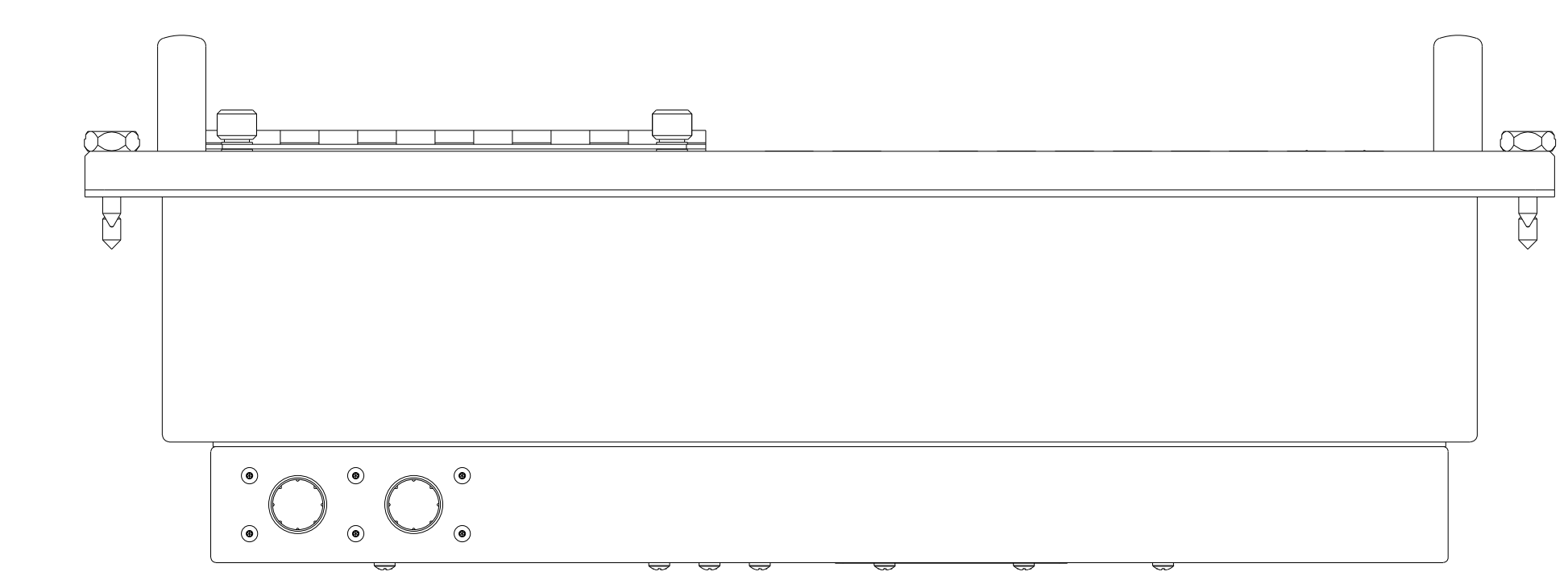
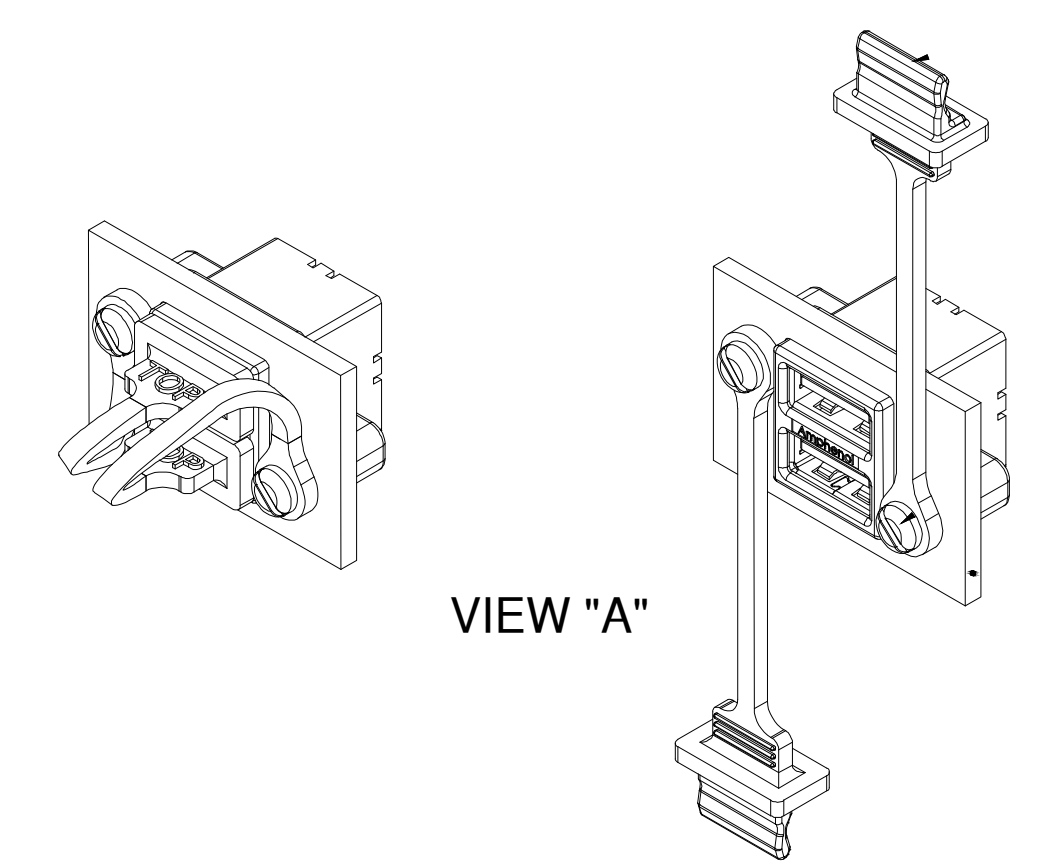


(X)CMP-19W-cccc-107-00-54-gg-EP44-139

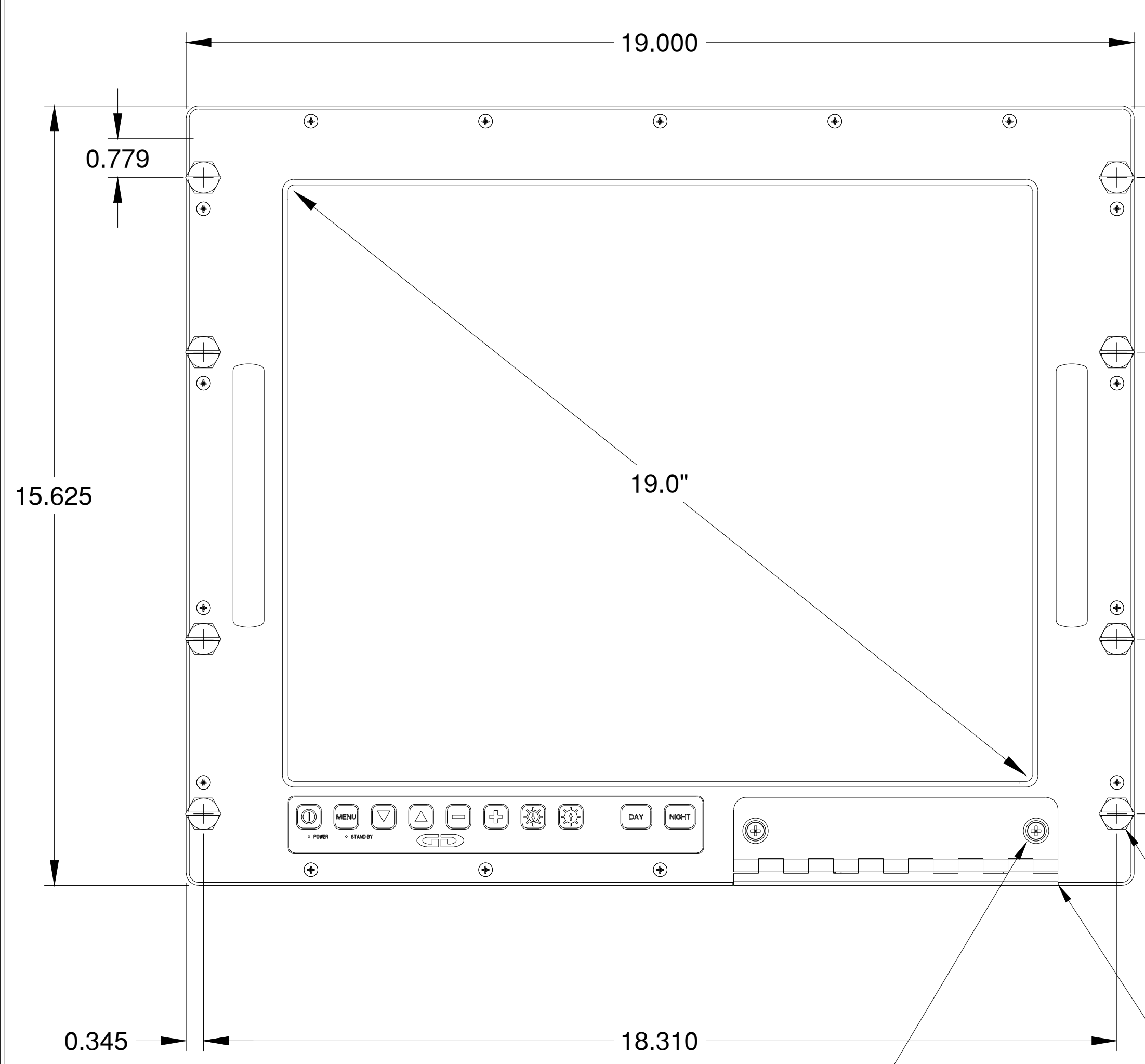
(X) OPTION	UNIT DESCRIPTION
-	SABER PANELMOUNT
S	SABER PANELMOUNT SOLAR
SN	SABER PANELMOUNT SOLAR/NVIS
D	SABER PANELMOUNT DAYLIGHT READABLE



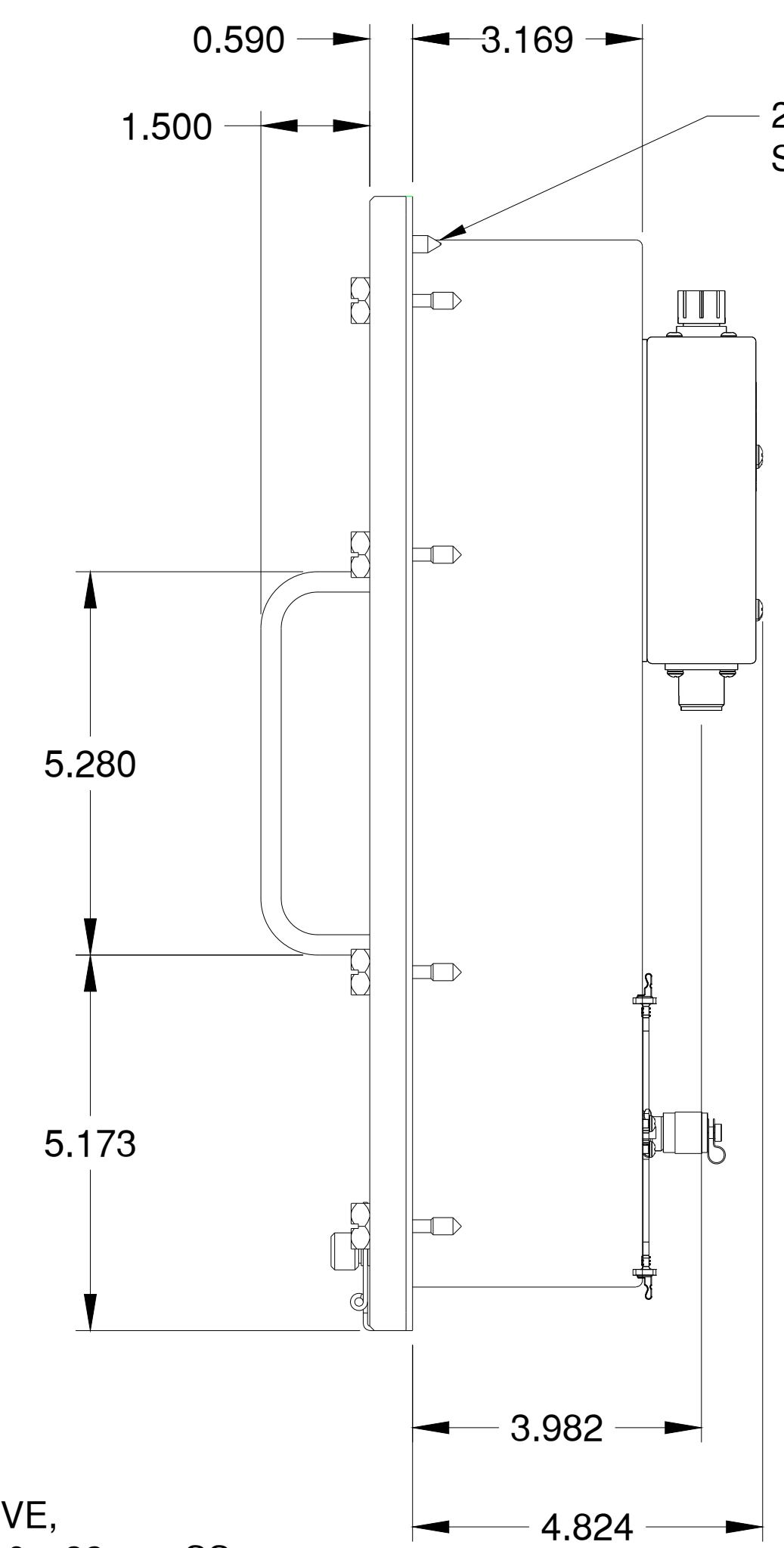
VIEW WITH ACCESS DOOR REMOVED  
 USB TYPE A  
 COMPACT FLASH TYPE I-II



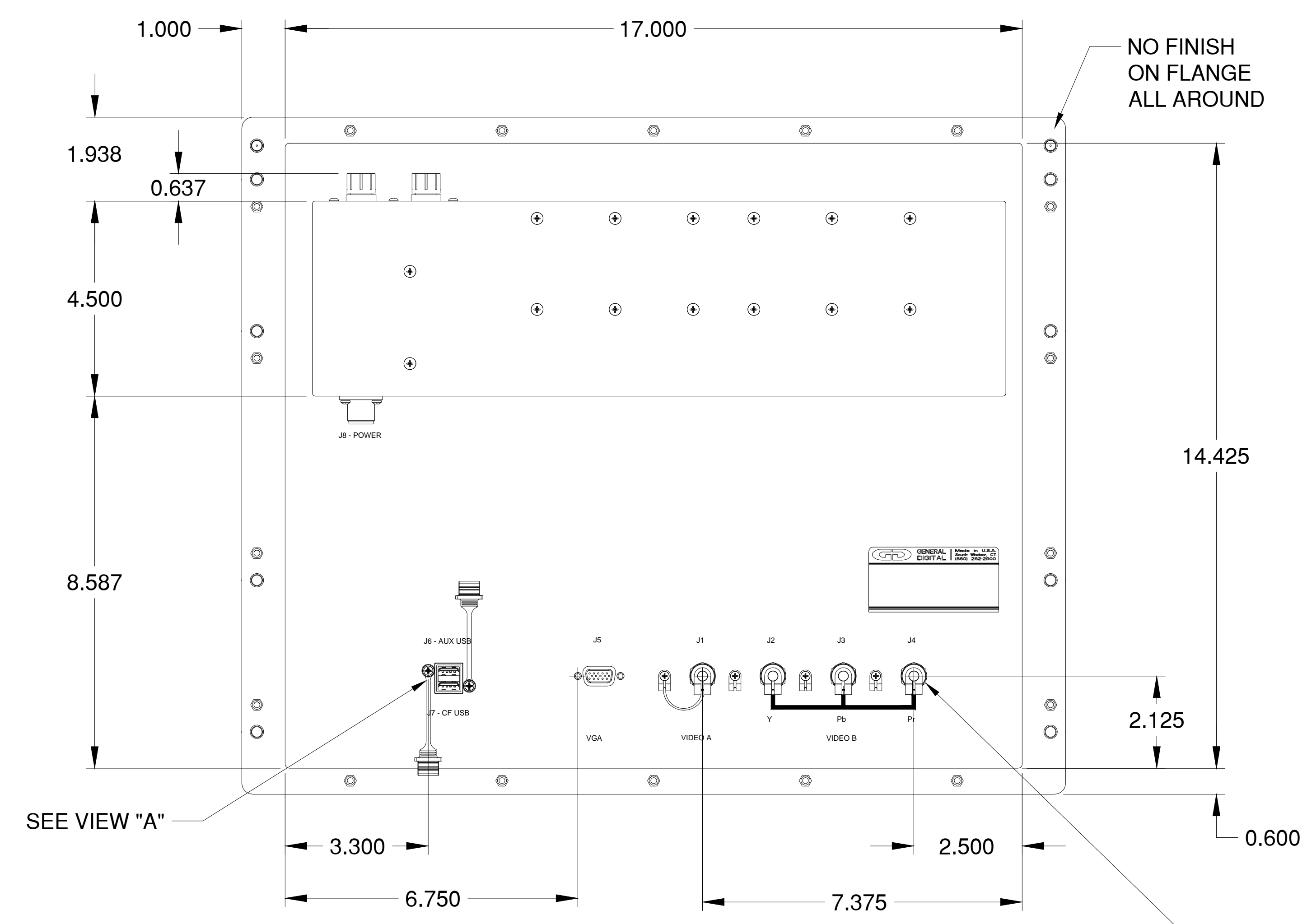
- ENVIRONMENTAL:
  - OPERATING TEMP : 0 - +55°C
  - STORAGE TEMP : -5 - +70°C
  - HUMIDITY : UP TO 95% RH, NON-CONDENSING
  - SEALED : IP - 64 (ACCESS DOOR CLOSED)
  - SHOCK : DESIGNED TO MEET MIL-STD-901D GRADE A CLASS II
  - NOISE RADIATION : AIR SOUND LEVEL < 52dB (A) @ 1.0m
  - EMI : MIL-STD-461F CE101, CE102
- AC INPUT : -85-264 VAC @ 47-440 Hz
- DISPLAY CHARACTERISTICS:
  - RESOLUTION : 1280 x 1024
  - BRIGHTNESS : 250 nits
  - VIEWING ANGLE : +/- 85H, +/- 80V (CR ≥10)
- DAY BUTTON SHALL SET BRIGHTNESS TO MAXIMUM  
 NIGHT BUTTON SHALL SET BRIGHTNESS TO MINIMUM.
- +/- KEYS ON THE OSD KEYPAD SHALL BE PROGRAMMED TO CYCLE THROUGH THE THREE VIDEO MODES WHEN IN HOT KEY MODE (NO OSD MENU).
- CUSTOMER TO PROVIDE PANELMOUNT GASKET IF DESIRED.
- FINISH TO BE BLACK TEXTURED POWDER COAT.



19.000  
 0.779  
 15.625  
 19.0"  
 0.345  
 18.310  
 1.438  
 3.500  
 5.750  
 3.500



0.590  
 1.500  
 3.169  
 2X GUIDE PIN, SS, M6  
 5.280  
 5.173  
 3.982  
 4.824



1.000  
 17.000  
 1.938  
 0.637  
 4.500  
 8.587  
 14.425  
 2.125  
 0.600  
 3.300  
 6.750  
 7.375  
 2.500  
 NO FINISH ON FLANGE ALL AROUND  
 SEE VIEW "A"  
 COLORED RINGS ON TNC CONN.

SOUTHCO FLOATING STYLE 8-32 FASTENER, SOUTHCO PART # 47-10-330-50

8X SCREW, CAPTIVE, HEX HEAD, M6 x 1.0 x 32mm, SS UNICORP / M4167 R M09 F09

ACCESS DOOR FOR USB TYPE A AND COMPACT FLASH TYPE I-II

CONNECTOR CHART

DESIGNATION	FUNCTION	TYPE
J1	VIDEO A INPUT	TNC-F
J2	VIDEO B INPUT - Y	TNC-F
J3	VIDEO B INPUT - Pb	TNC-F
J4	VIDEO B INPUT - Pr	TNC-F
J5	VGA INPUT	D15-S
J6	AUXILIARY USB OUT	USB 2.0 TYPE A
J7	COMPACT FLASH USB OUT	USB 2.0 TYPE A
J8	AC INPUT	MS3402D10SL-3P
N/A	AUXILIARY USB IN	USB 2.0 TYPE A
N/A	COMPACT FLASH	

J8 POWER CONNECTOR PINOUT

PIN 1	AC LINE
PIN 2	AC NEUTRAL
PIN 3	GND

THIS DOCUMENT CONTAINS PROPRIETARY INFORMATION OF GENERAL DIGITAL AND IS NOT TO BE DISCLOSED, REPRODUCED OR PUBLISHED WITHOUT WRITTEN CONSENT FROM GENERAL DIGITAL. THIS DOCUMENT MUST BE RENDERED ILLEGIBLE WHEN BEING DISCARDED. © COPYRIGHT 2012. ALL RIGHTS RESERVED.

UNLESS OTHERWISE SPECIFIED DIMENSIONS ARE IN INCHES  
 TOLERANCES ARE:  
 FRACTIONS DECIMALS ANGLES  
 ±1/32 .X ±.050 ±0° 30'  
 .XX ±.031  
 .XXX±.020

MECHANICAL OUTLINE ONLY. SPECIFICATIONS SUBJECT TO CHANGE WITHOUT NOTICE. U.O.S. ALL DIMENSIONS ARE IN INCHES.

APPROVALS	DATE
DRAWN G.L.	08-Jul-14
CHECKED T.R.	
APPROVED B.G.	



The Innovators of Flat Panel Technology  
 8 Nutmeg Road South, South Windsor, CT 06074  
 (860) 282-2900 www.GeneralDigital.com

SABER PANELMOUNT  
 19.0" SXGA MONITOR

REV	DATE	ECN	DESCRIPTION	BY

<b>B</b>	CAGE CODE	DWG. NO.	REV
	1JA77	14-73	D

DO NOT SCALE DRAWING