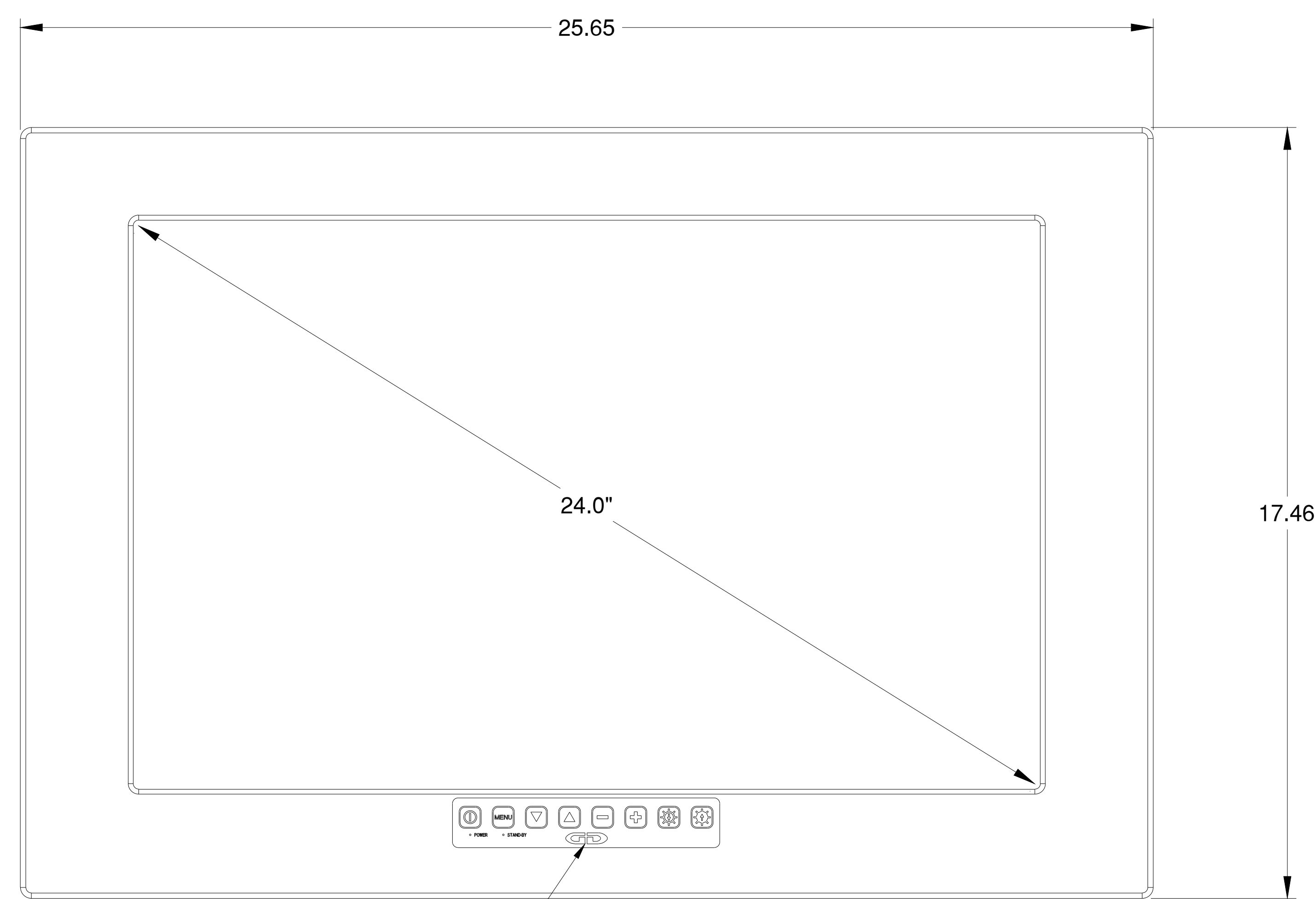
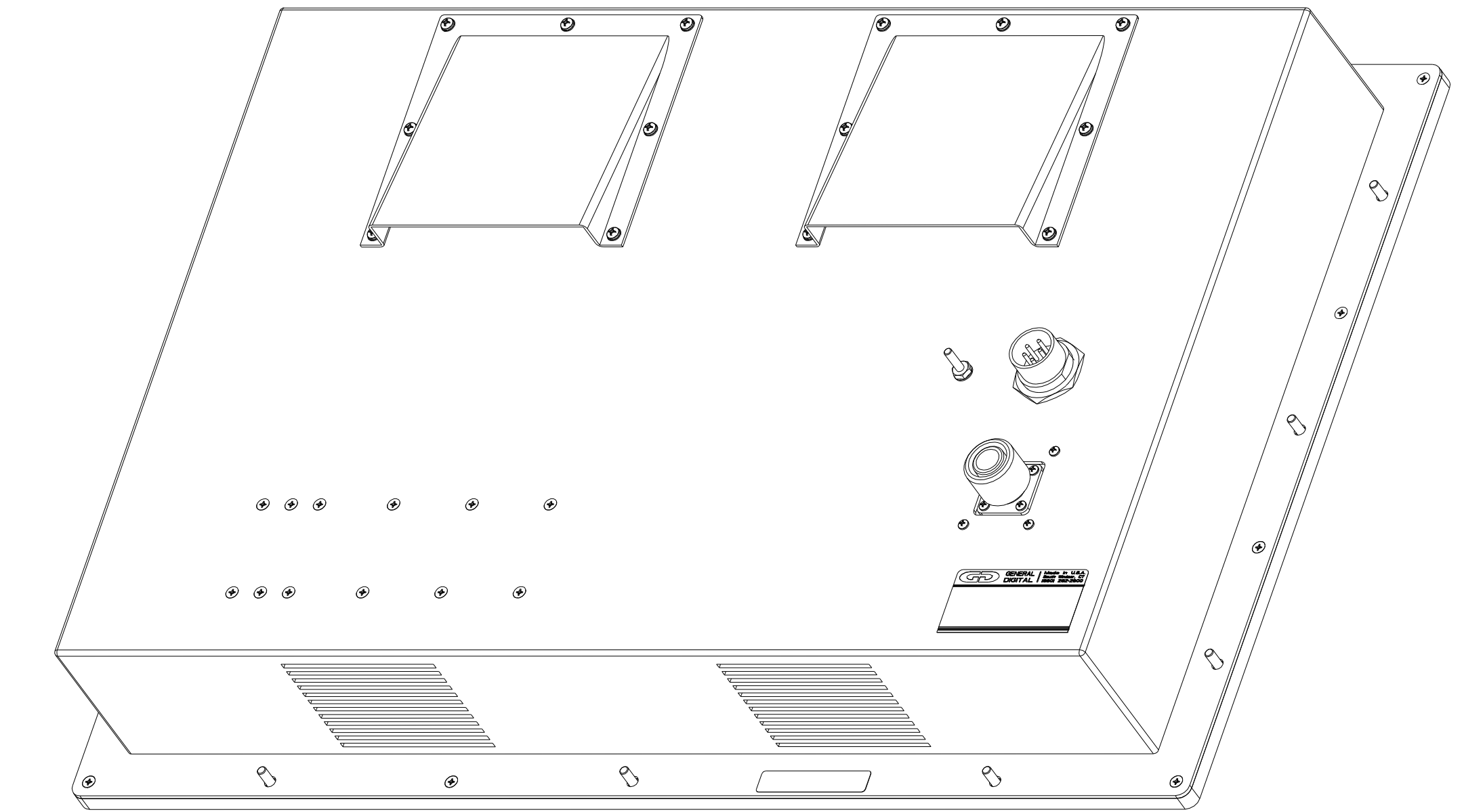
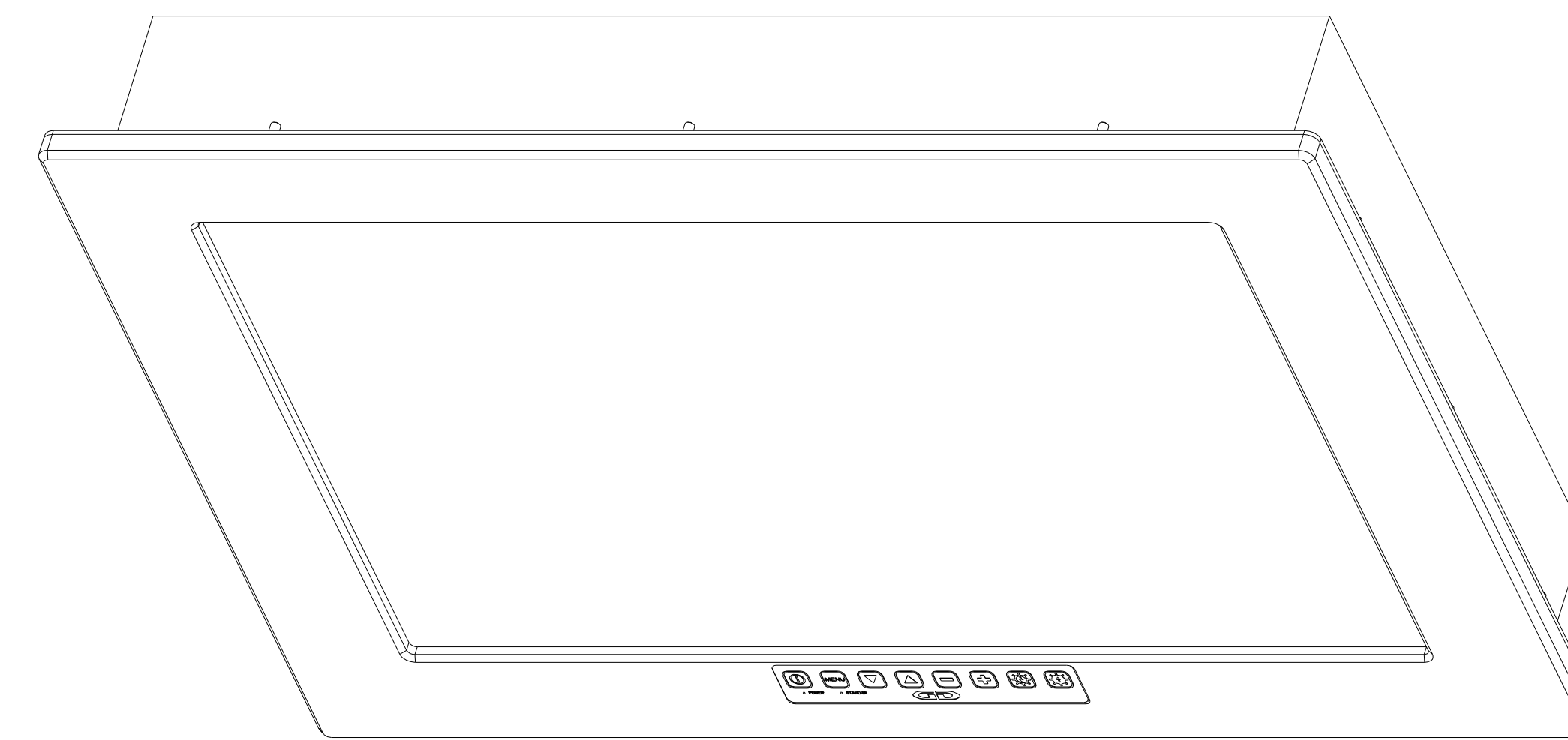
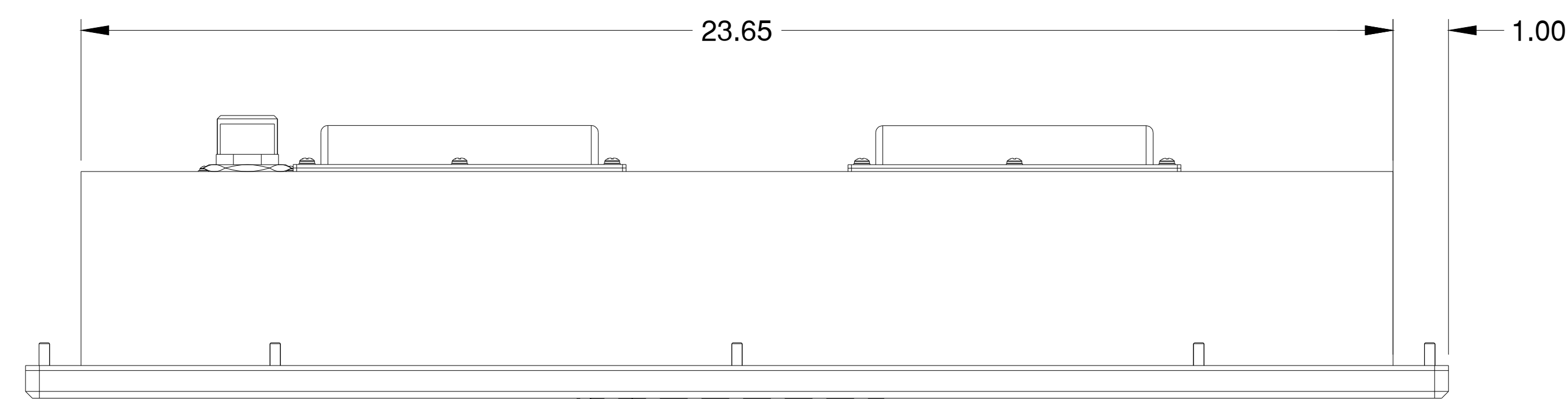
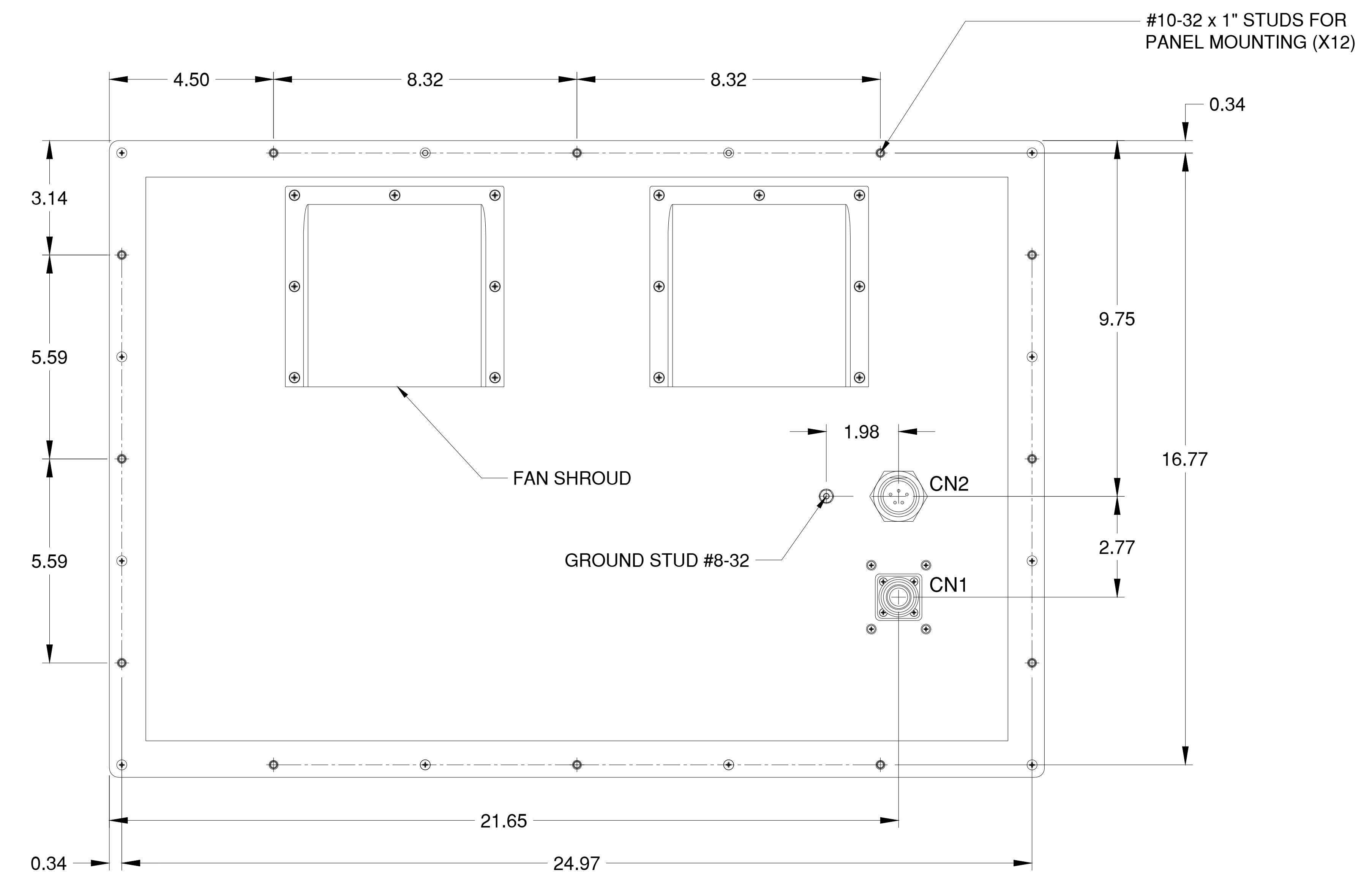
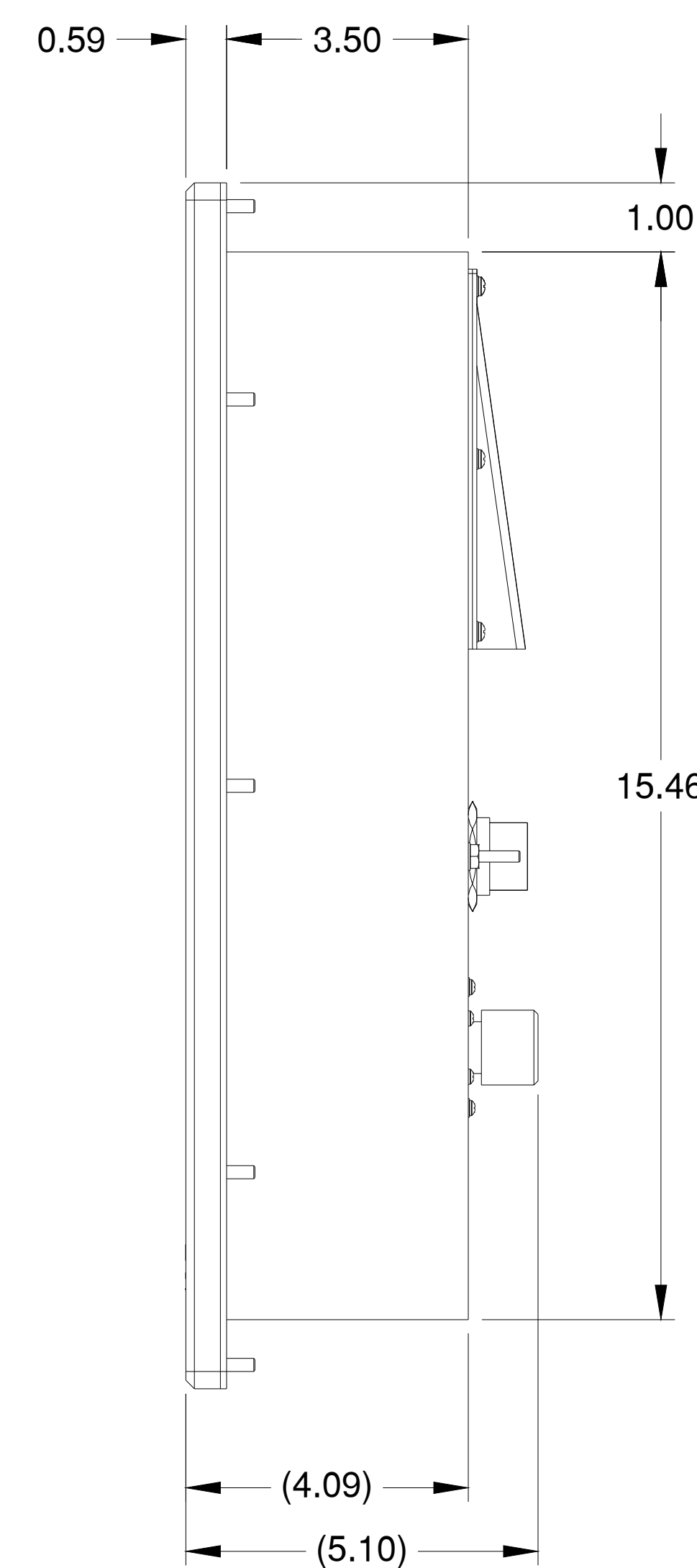


(X) OPTION	UNIT DESCRIPTION
-	SABER PANELMOUNT
S	SABER PANELMOUNT SOLAR
SN	SABER PANELMOUNT SOLAR/NVIS
D	SABER PANELMOUNT DAYLIGHT READABLE

(X)CMP-24D-cccc-107-00-55-gg-IA43-126



8-BUTTON KEYPAD



REV	DATE	ECN	DESCRIPTION	BY
C	08-Jul-14	-	ADDED DISPLAY OPTIONS TABLE	GL
B	16-Apr-12	-	ADDED REAR DIMENSIONS PER CUST. REQUEST	FA
A	19-Dec-11	-	REVISED TO SHOW GND. STUD LOCATION	FA

THIS DOCUMENT CONTAINS PROPRIETARY INFORMATION OF GENERAL DIGITAL AND IS NOT TO BE DISCLOSED, REPRODUCED OR PUBLISHED WITHOUT WRITTEN CONSENT FROM GENERAL DIGITAL. THIS DOCUMENT MUST BE RENDERED ILLEGIBLE WHEN BEING DISCARDED. © COPYRIGHT 2011. ALL RIGHTS RESERVED.

UNLESS OTHERWISE SPECIFIED DIMENSIONS ARE IN INCHES
TOLERANCES ARE:
FRACTIONS DECIMALS ANGLES
±1/32 .X ±.050 ±0° 30'
.XX ±.031
.XXX±.020

CONNECTOR CHART		
DESIGNATION	FUNCTION	TYPE
CN1	FIBER OPTIC VIDEO INPUT	M28876/1B1S1N
CN2	AC INPUT	MS27468T15B5P
CN3		
CN4		
CN5		

MECHANICAL OUTLINE ONLY. SPECIFICATIONS SUBJECT TO CHANGE WITHOUT NOTICE. U.O.S. ALL DIMENSIONS ARE IN INCHES.

APPROVALS	DATE
DRAWN FA	23-JUN-11
CHECKED T.R.	
APPROVED B.G.	

DO NOT SCALE DRAWING

GENERAL DIGITAL
The Innovators of Flat Panel Technology
8 Nutmeg Road South, South Windsor, CT 06074
(860) 282-2900 www.GeneralDigital.com

SABER PANELMOUNT
24.0" WUXGA MONITOR

B	CAGE CODE 1JA77	DWG. NO. 11-21	REV C
----------	--------------------	-------------------	----------