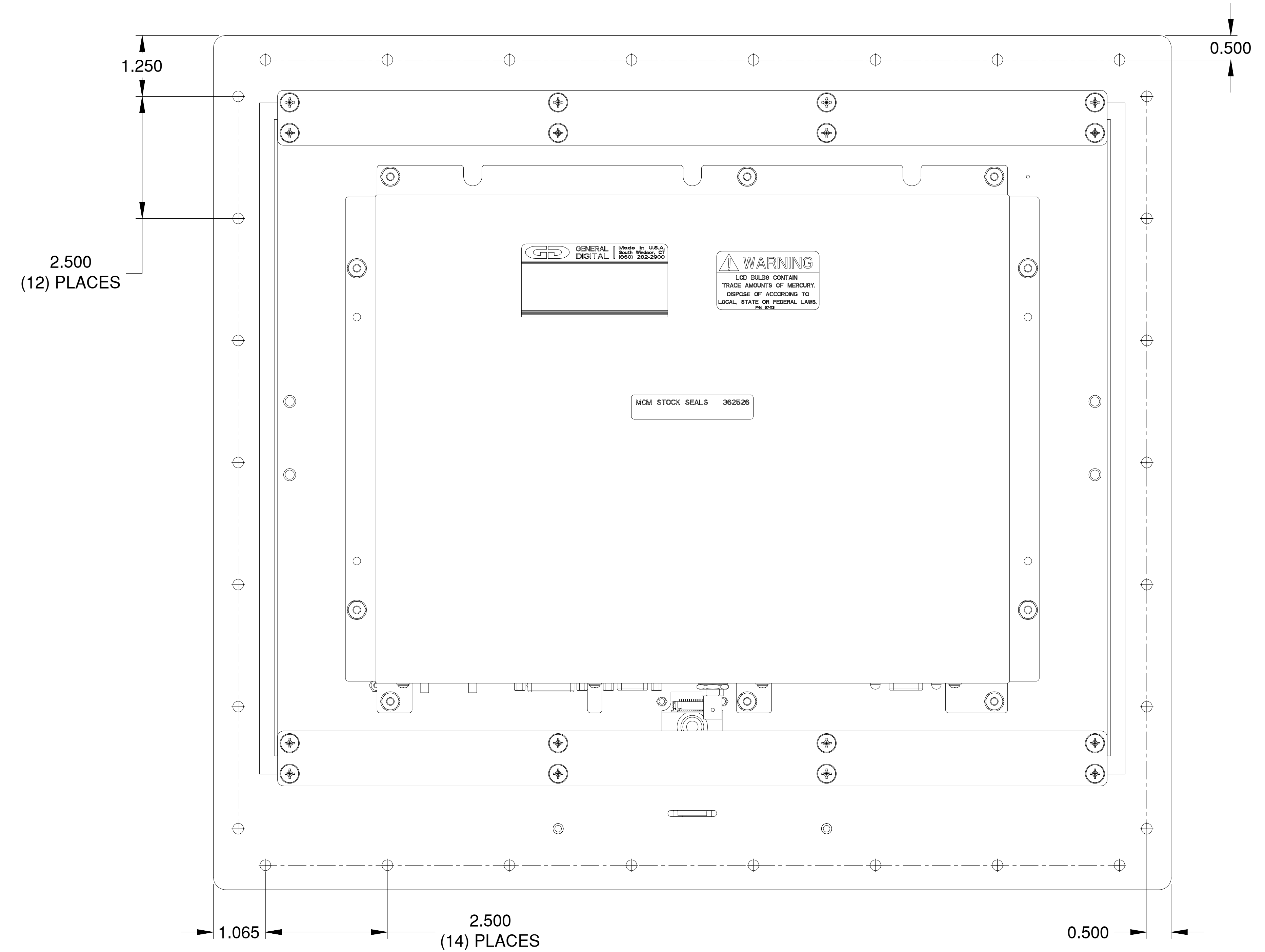
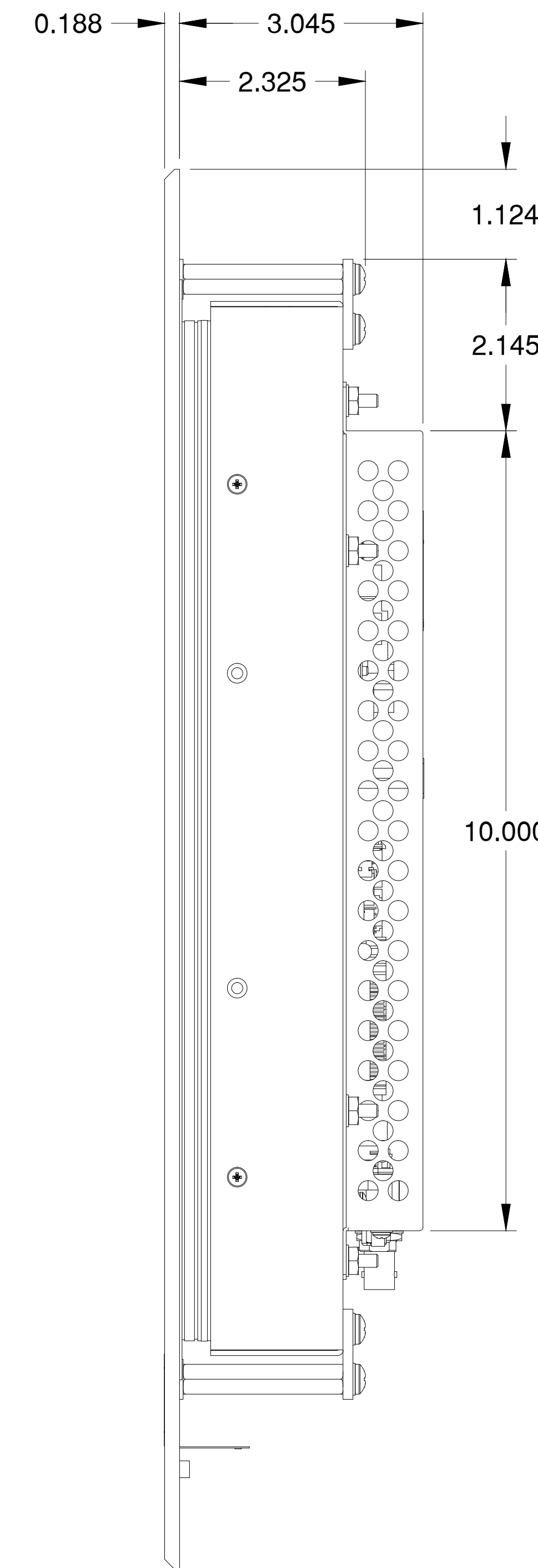
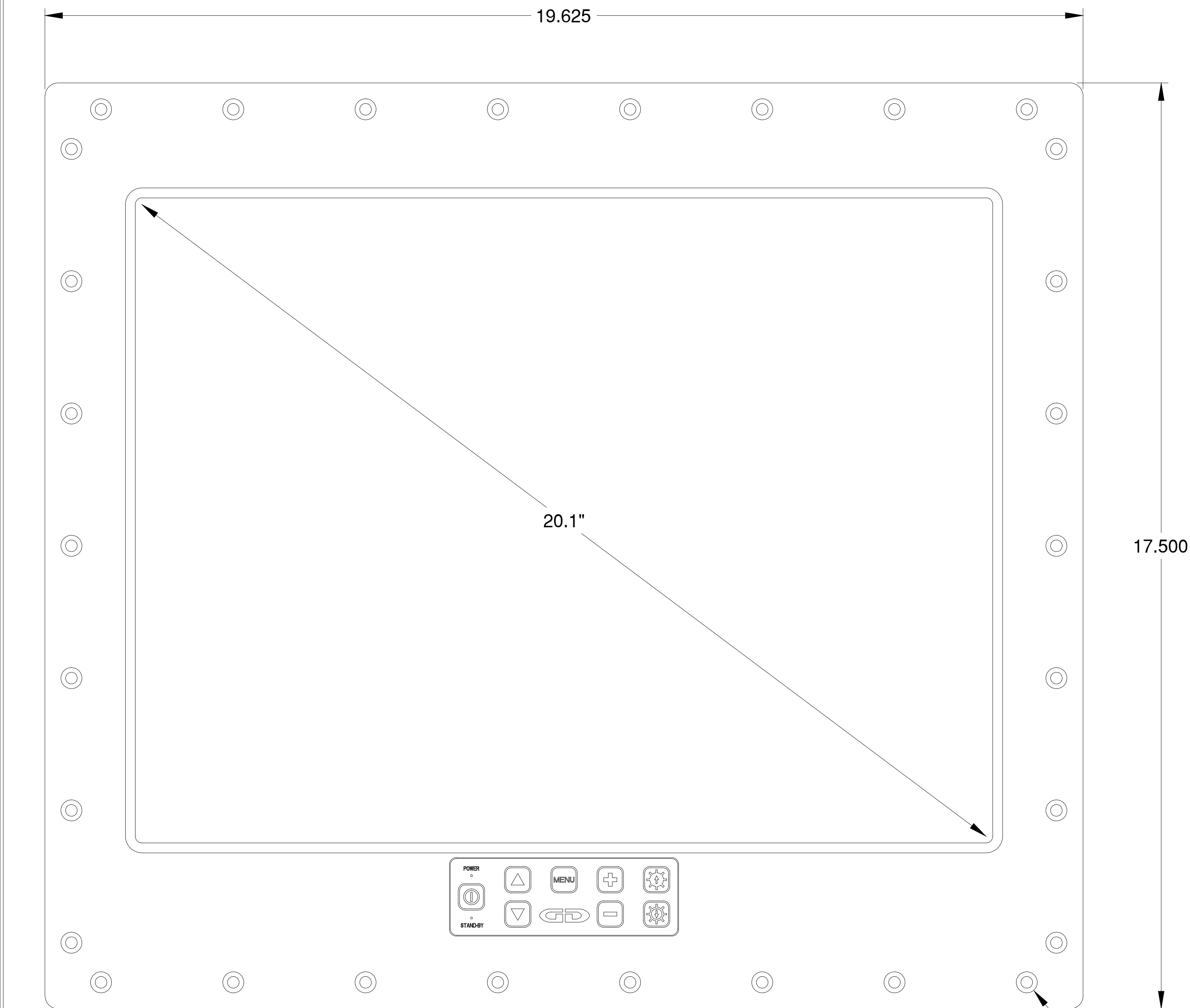
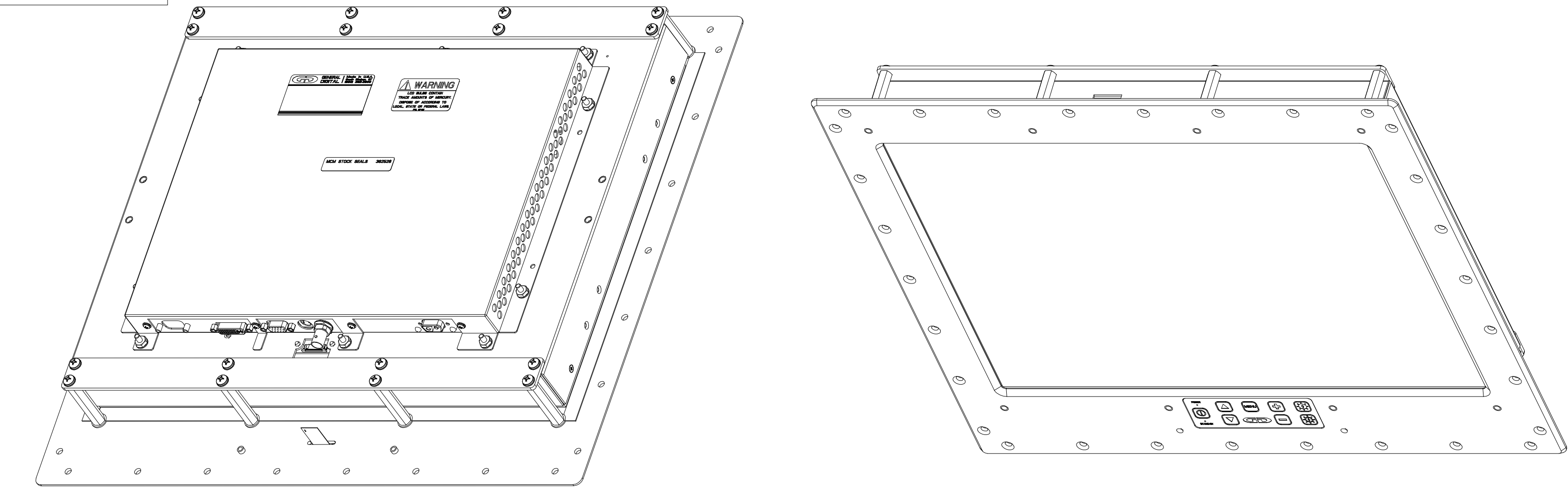
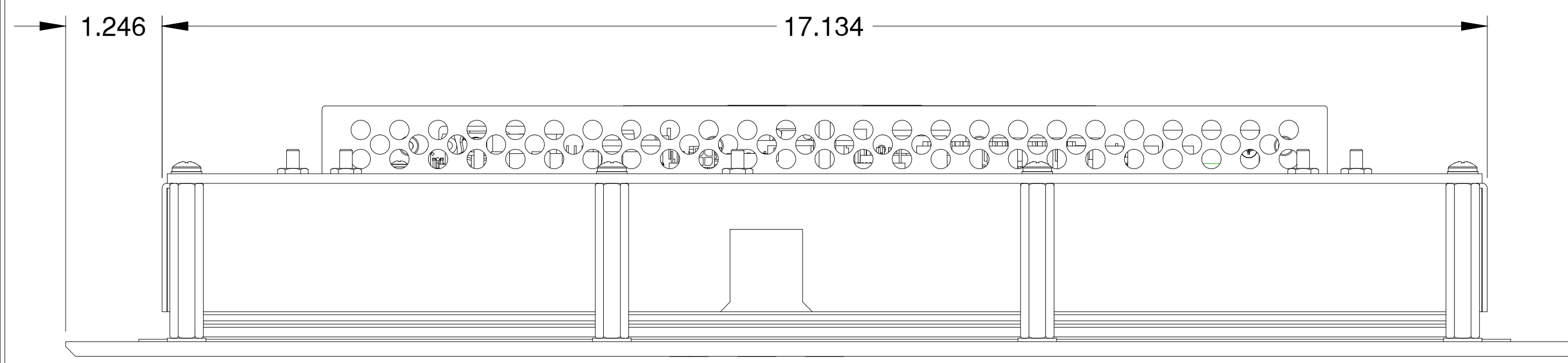
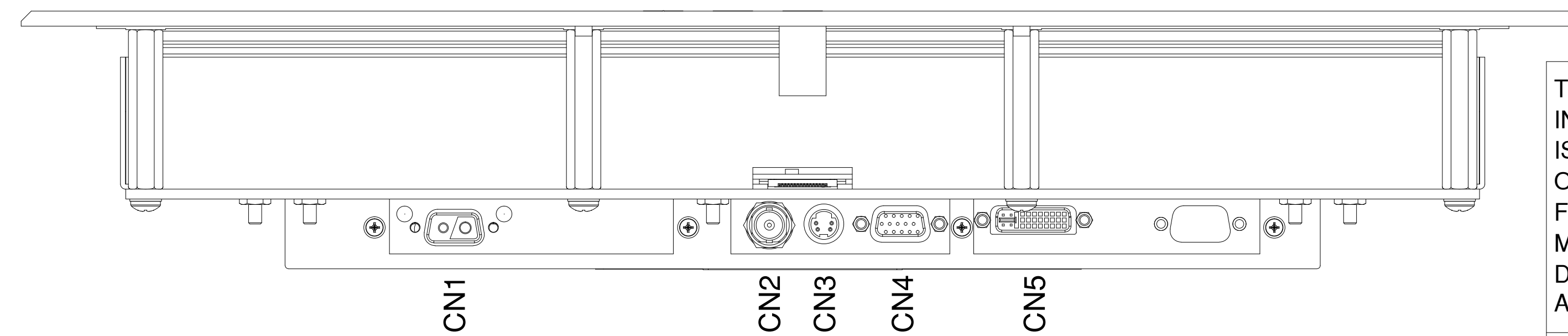


(X) OPTION	UNIT DESCRIPTION
-	SABER PANELMOUNT
S	SABER PANELMOUNT SOLAR
SN	SABER PANELMOUNT SOLAR/NVIS
D	SABER PANELMOUNT DAYLIGHT READABLE

(X)CMP-20U-cccc-107-00-00-gg-SP39



Ø0.218 THRU
COUNTERSUNK
Ø0.397 x 100°
(30) PLACES



THIS DOCUMENT CONTAINS PROPRIETARY INFORMATION OF GENERAL DIGITAL AND IS NOT TO BE DISCLOSED, REPRODUCED OR PUBLISHED WITHOUT WRITTEN CONSENT FROM GENERAL DIGITAL. THIS DOCUMENT MUST BE RENDERED ILLEGIBLE WHEN BEING DISCARDED. © COPYRIGHT 2012. ALL RIGHTS RESERVED.

UNLESS OTHERWISE SPECIFIED DIMENSIONS ARE IN INCHES
TOLERANCES ARE:
FRACTIONS DECIMALS ANGLES
±1/32 .X ±.050 ±0° 30'
.XX ±.031
.XXX±.020

CONNECTOR CHART		
DESIGNATION	FUNCTION	TYPE
CN1	+24 VDC INPUT	DE-2W2-P
CN2	COMPOSITE VIDEO INPUT	BNC STYLE
CN3	S-VIDEO INPUT	4-PIN MINI DIN
CN4	ANALOG VIDEO INPUT	DE-15-S
CN5	DVI-D INPUT	DVI-D

MECHANICAL OUTLINE ONLY. SPECIFICATIONS SUBJECT TO CHANGE WITHOUT NOTICE. U.O.S. ALL DIMENSIONS ARE IN INCHES.	
APPROVALS	DATE
DRAWN G.L.	10-Jul-14
CHECKED T.R.	
APPROVED B.G.	
DO NOT SCALE DRAWING	

GD GENERAL DIGITAL
The Innovators of Flat Panel Technology
8 Nutmeg Road South, South Windsor, CT 06074
(860) 282-2900 www.GeneralDigital.com

**SABER PANELMOUNT
20.1" UXGA MONITOR**

REV	DATE	ECN	DESCRIPTION	BY

B	CAGE CODE	DWG. NO.	REV
	1JA77	14-80	-