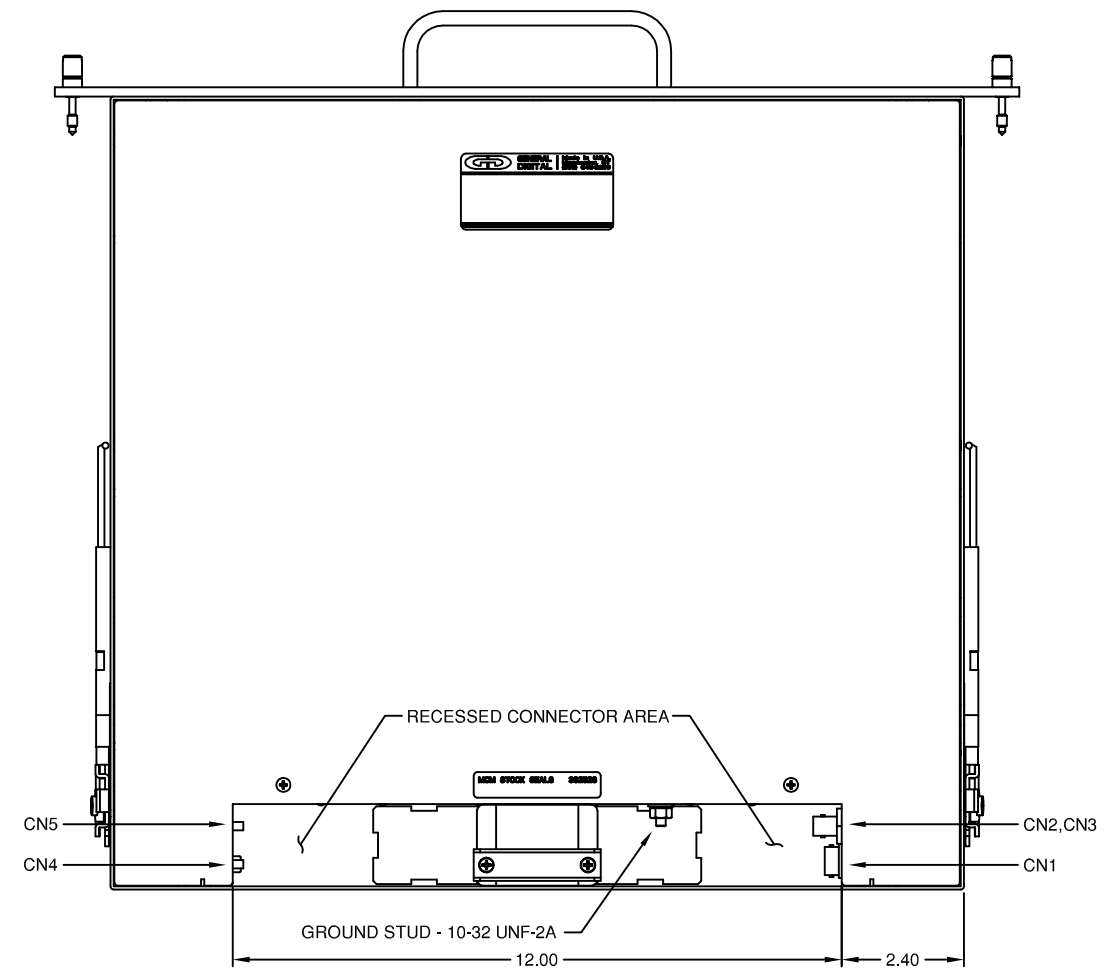
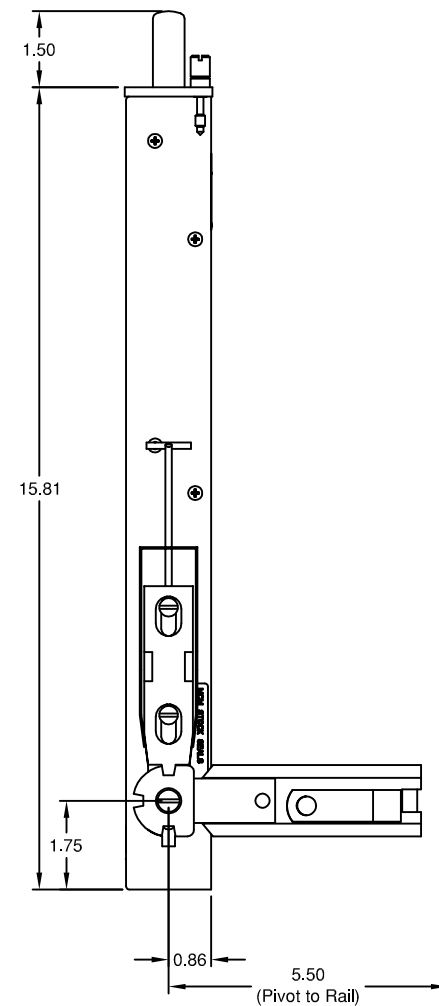
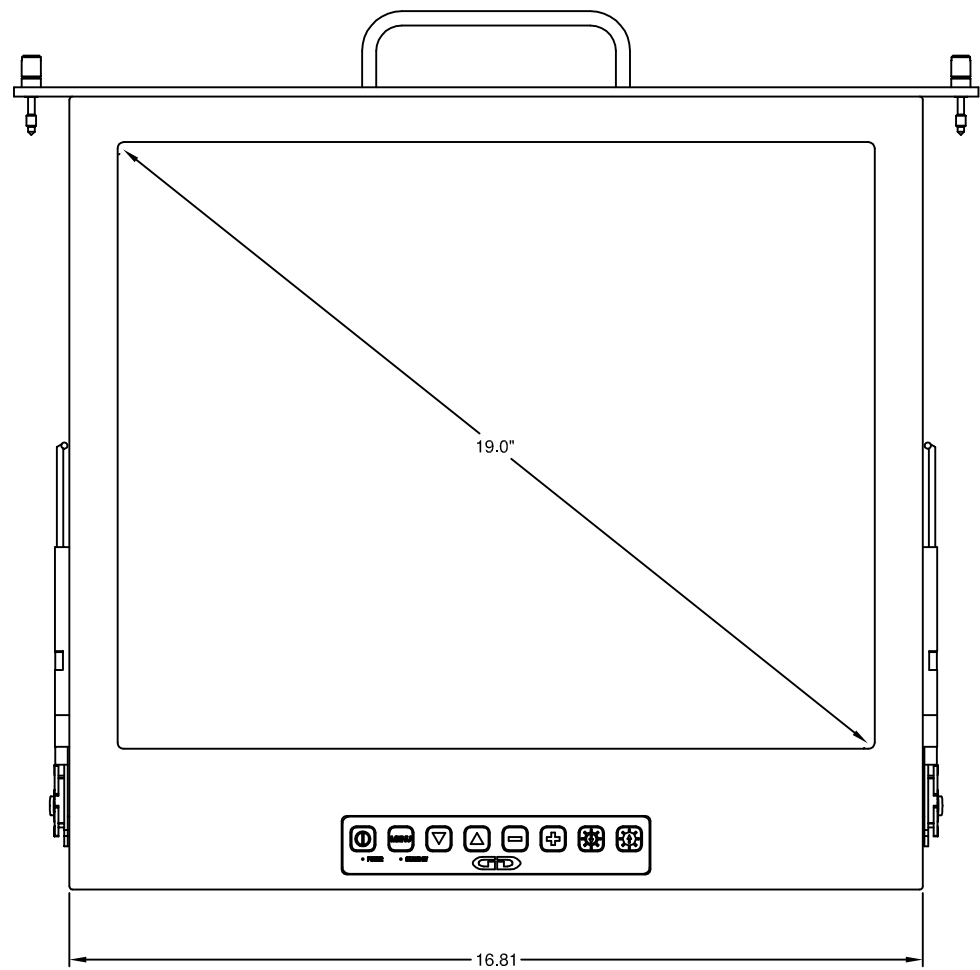
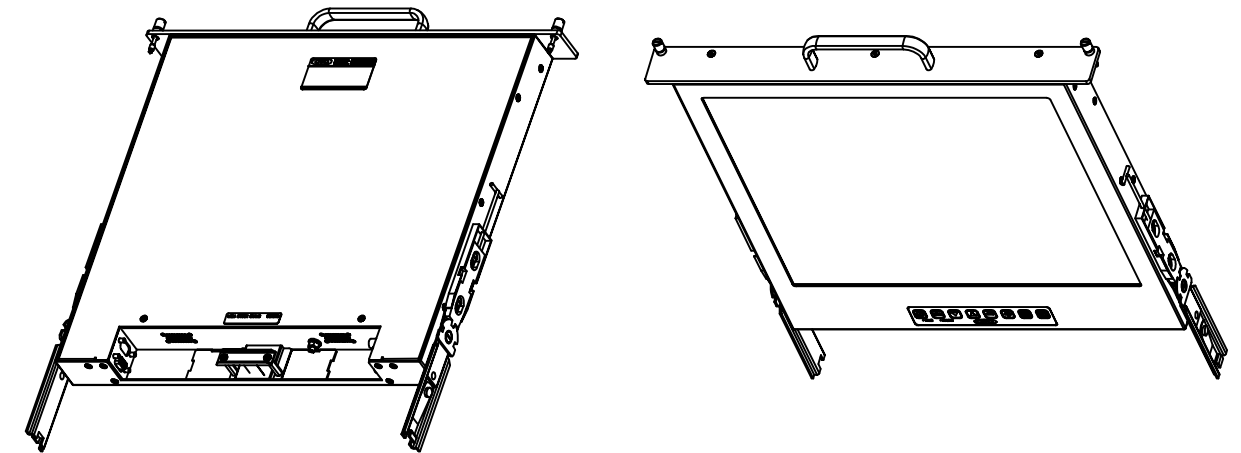
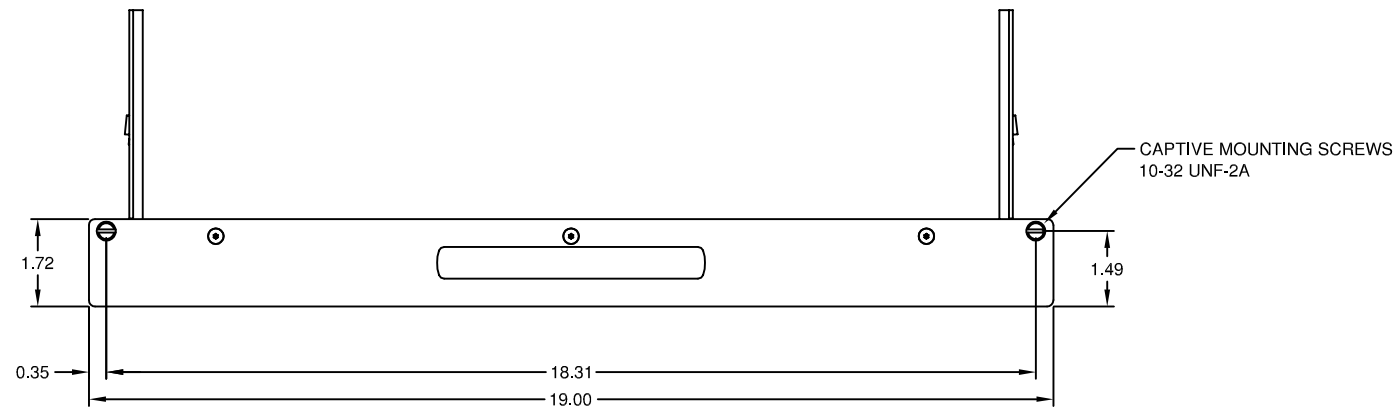


THIS DOCUMENT CONTAINS PROPRIETARY INFORMATION OF GENERAL DIGITAL AND IS NOT TO BE DISCLOSED, REPRODUCED OR PUBLISHED WITHOUT WRITTEN CONSENT FROM GENERAL DIGITAL. THIS DOCUMENT MUST BE RENDERED ILLEGIBLE WHEN BEING DISCARDED. © COPYRIGHT 2004. ALL RIGHTS RESERVED.

RH-19W-702-dd-00-09-gg-0092



CONNECTOR CHART			MECHANICAL OUTLINE ONLY. SPECIFICATIONS SUBJECT TO CHANGE WITHOUT NOTICE. U.O.S. ALL DIMENSIONS ARE IN INCHES.	
DESIGNATION	FUNCTION	TYPE	APPROVALS	DATE
CN1	+12 VDC INPUT	6-PIN HIROSE	DRAWN	03-Nov-04
CN2	COMPOSITE VIDEO INPUT (Opt)	BNC STYLE	CHECKED	03-Nov-04
CN3	STEREO INPUT (Opt)	1/8" STEREO JACK	APPROVED	03-Nov-04
CN4	ANALOG VIDEO INPUT	DE-15-S	B.G.	03-Nov-04
CN5	SERIAL INPUT (Opt)	DE-9-P	DO NOT SCALE DRAWING	

**GD GENERAL DIGITAL**  
*The Innovators of Flat Panel Technology*  
 8 Nutmeg Road South, South Windsor, CT 06074  
 (860) 282-2900 www.GeneralDigital.com

**RACK HINGE 1U**  
**19.0" SXGA FLAT PANEL MONITOR**

<b>B</b>	CAGE CODE	DWG. NO.	REV
	1JA77	04-25	A