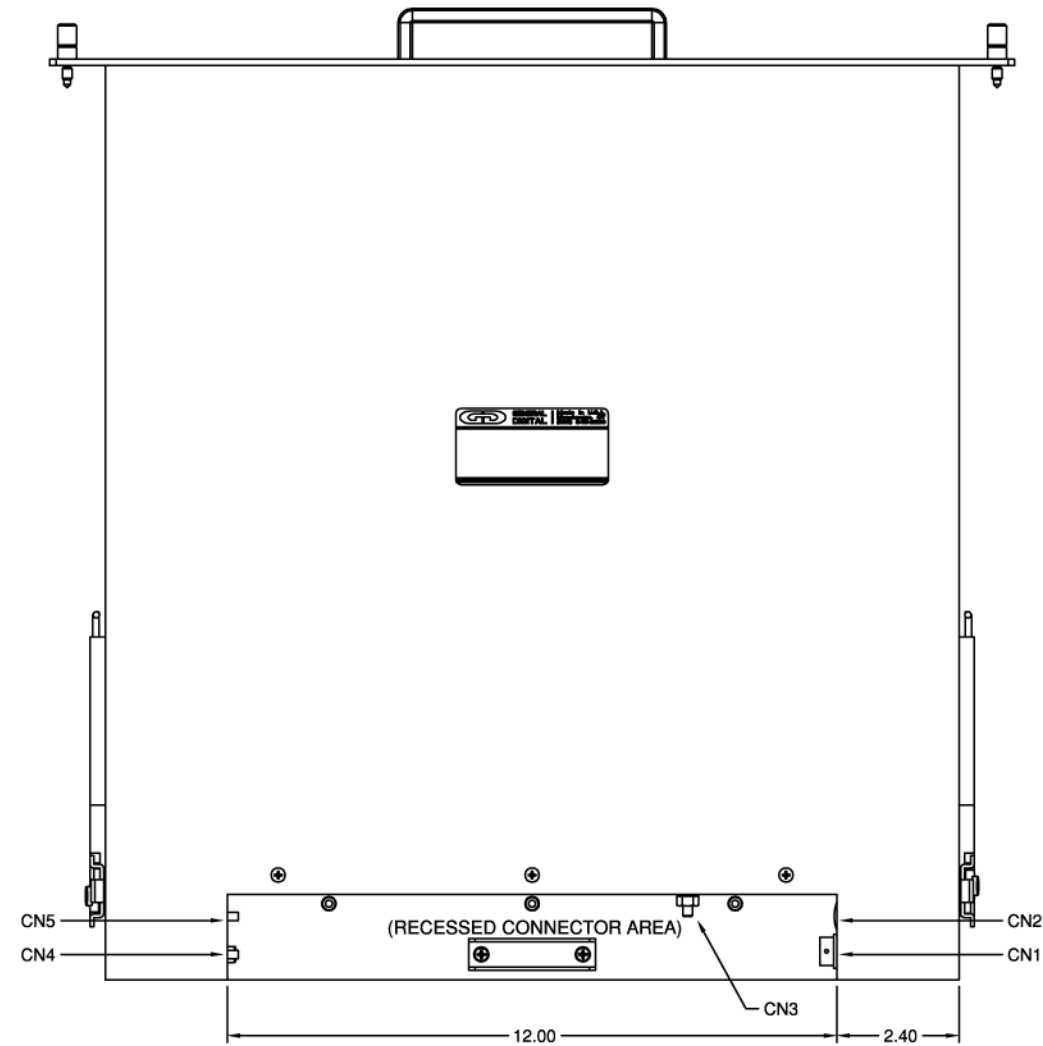
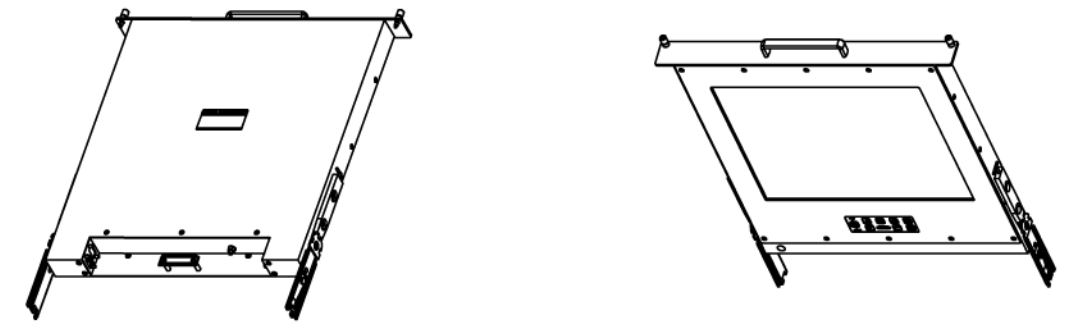
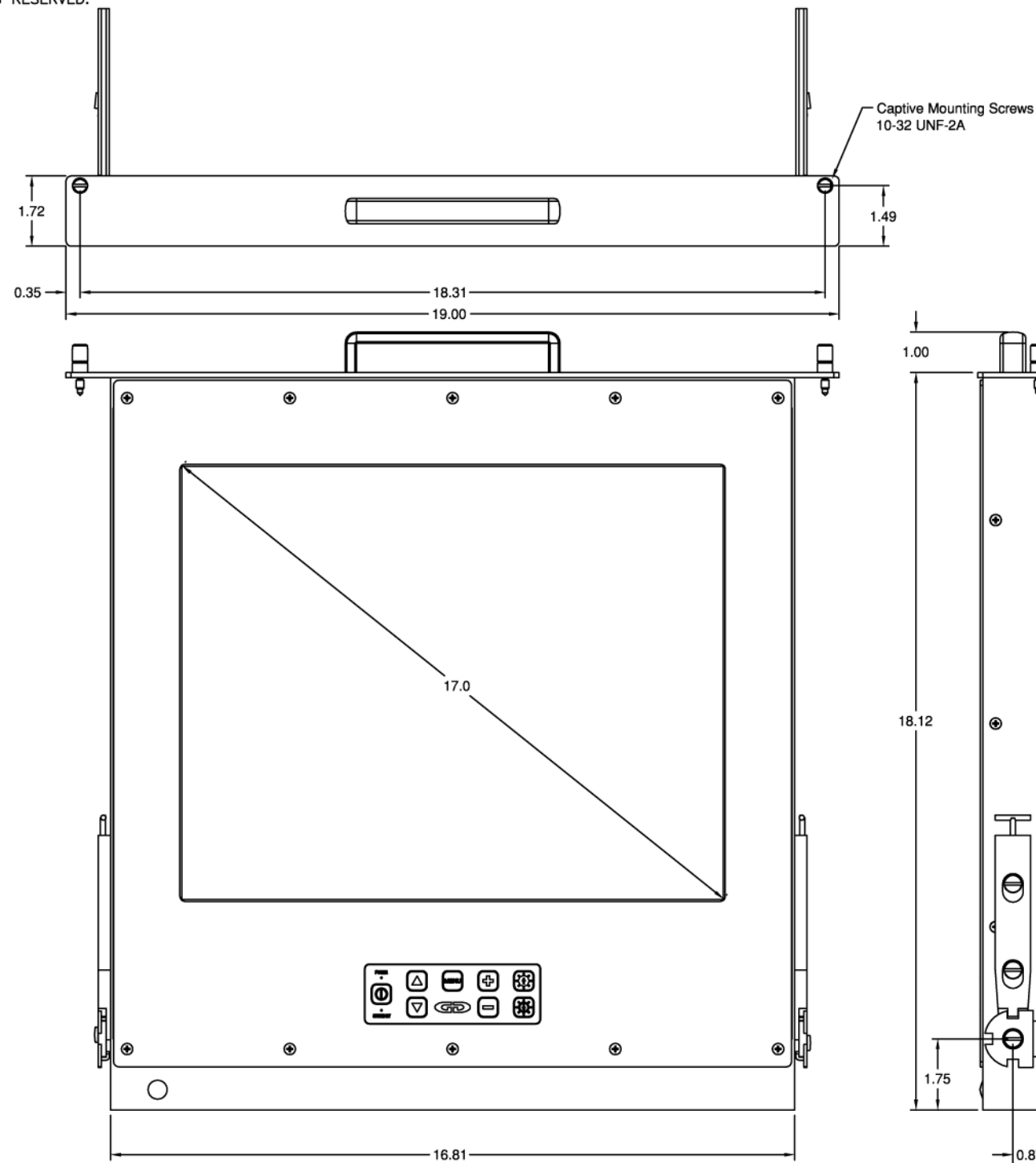


THIS DOCUMENT CONTAINS PROPRIETARY INFORMATION OF GENERAL DIGITAL AND IS NOT TO BE DISCLOSED, REPRODUCED OR PUBLISHED WITHOUT WRITTEN CONSENT FROM GENERAL DIGITAL. THIS DOCUMENT MUST BE RENDERED ILLEGIBLE WHEN BEING DISCARDED. © COPYRIGHT 2002. ALL RIGHTS RESERVED.

RH-17W-501-dd-00-04-gg-0000



NOTE: The Monitor is shown oriented in the "Pivot-Up" position (Standard configuration).
Optionally, the Monitor can be configured in the "Pivot-Down" position upon request.

gg - Will support a stepped filter only.

CONNECTOR CHART			MECHANICAL OUTLINE ONLY SPECIFICATIONS SUBJECT TO CHANGE WITHOUT NOTICE	
DESIGNATION	FUNCTION	TYPE	APPROVALS	DATE
CN1	+12 VDC INPUT	6-PIN HIROSE	DRAWN	16-Jan-02
CN2	COMPOSITE VIDEO INPUT (Opt)	BNC STYLE	C.P.	16-Jan-02
CN3	GROUND STUD	10-32 UNF-2A	T.R.	16-Jan-02
CN4	ANALOG VIDEO INPUT	DE-15-S	B.G.	16-Jan-02
CN5	SERIAL INPUT (Opt)	DE-9-P	APPROVED	

DO NOT SCALE DRAWING



GENERAL DIGITAL
The Innovators of Flat Panel Displays and Systems
8 Nutmeg Road South, South Windsor, CT. 06074
(860) 282-2900 www.GenDig.com

Rack Hinge 1U
17.0" SXGA Flat Panel Monitor

B	CAGE CODE	DWG. NO.	REV
	1JA77	02-10	A