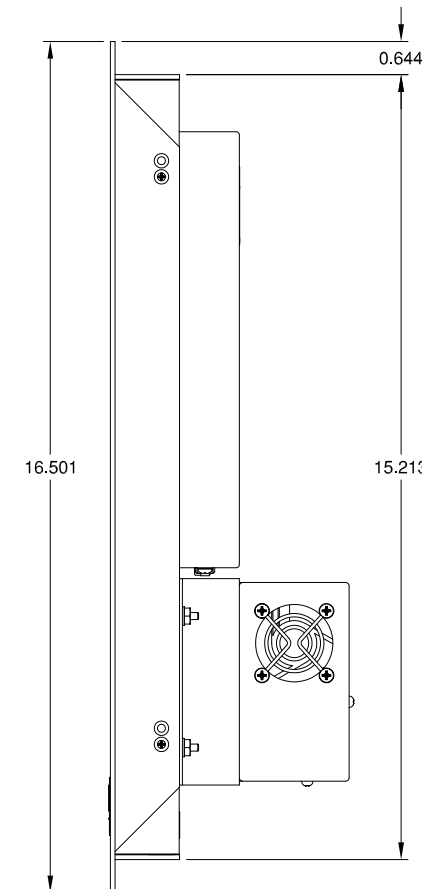
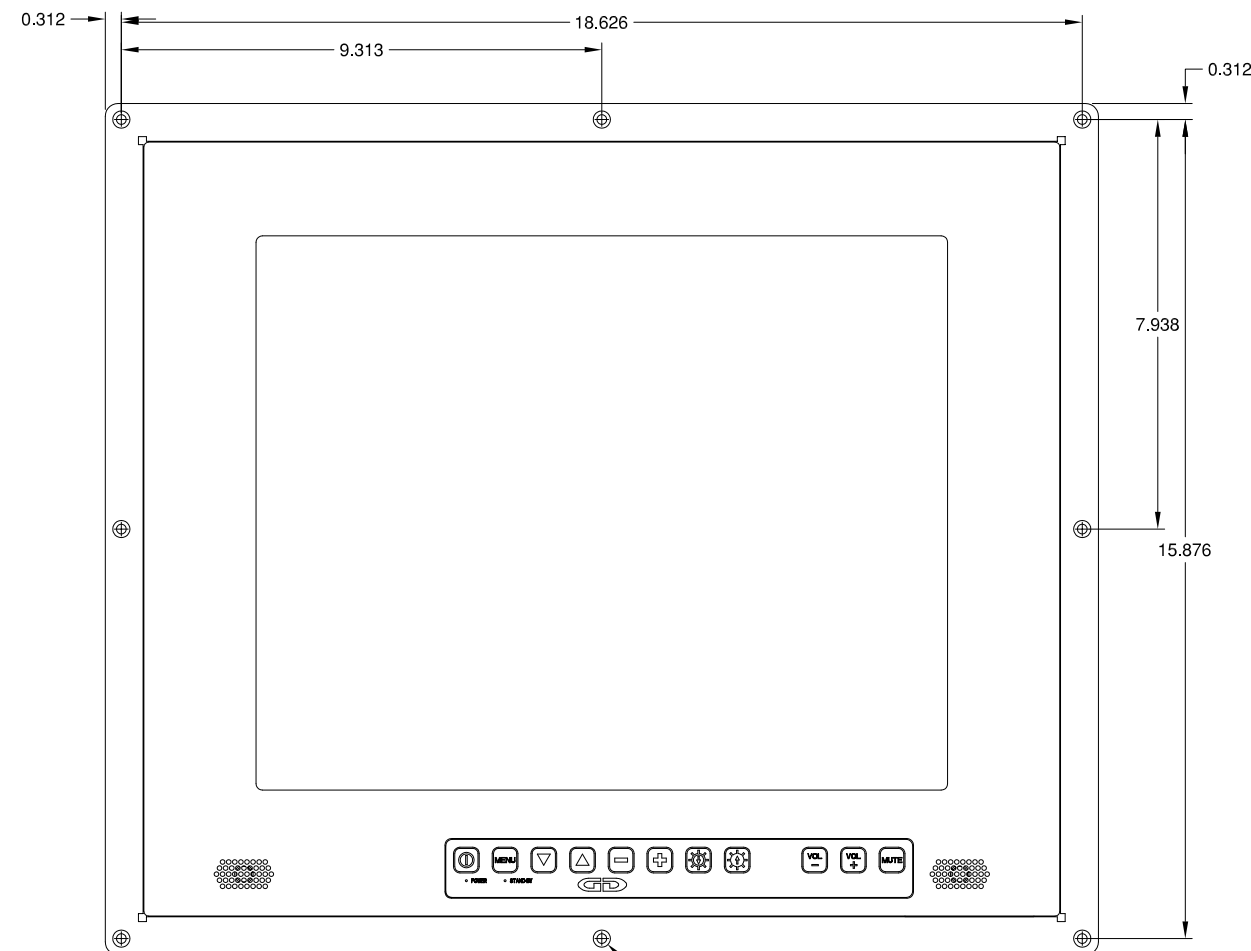
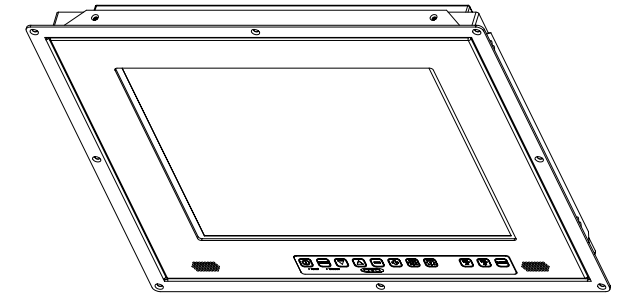
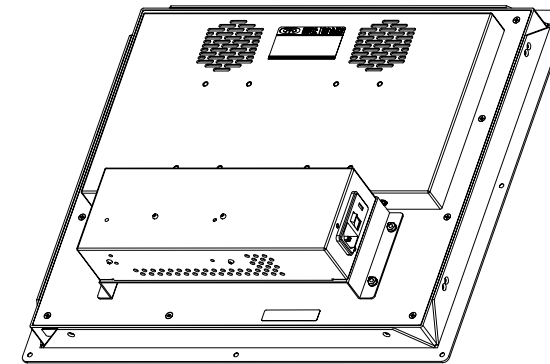
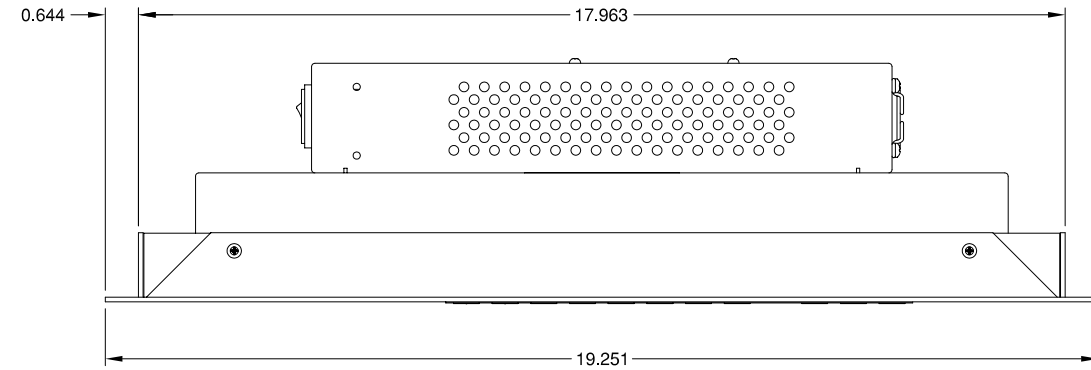


Panel Mount Adaptor - 17.0"/19.0"



MOUNTING HOLES FOR
#8 FLAT HEAD SCREWS
8 PLACES

THIS DOCUMENT CONTAINS PROPRIETARY INFORMATION OF GENERAL DIGITAL AND IS NOT TO BE DISCLOSED, REPRODUCED OR PUBLISHED WITHOUT WRITTEN CONSENT FROM GENERAL DIGITAL. THIS DOCUMENT MUST BE RENDERED ILLEGIBLE WHEN BEING DISCARDED. © COPYRIGHT 2009. ALL RIGHTS RESERVED.

UNLESS OTHERWISE SPECIFIED DIMENSIONS ARE IN INCHES TOLERANCES ARE:
FRACTIONS DECIMALS ANGLES
±1/32 .X ±.050 ±0° 30'
.XX ±.031
.XXX±.020

CONNECTOR CHART

DESIGNATION	FUNCTION	TYPE

MECHANICAL OUTLINE ONLY. SPECIFICATIONS SUBJECT TO CHANGE WITHOUT NOTICE. U.O.S. ALL DIMENSIONS ARE IN INCHES.

APPROVALS		DATE
DRAWN	C.P.	07-May-09
CHECKED	T.R.	07-May-09
APPROVED	B.G.	07-May-09
DO NOT SCALE DRAWING		



The Innovators of Flat Panel Technology
8 Nutmeg Road South, South Windsor, CT 06074
(860) 282-2900 www.GeneralDigital.com

Panel Mount Adaptor - RGB Industrial
17.0"/19.0" SXGA Flat Panel Monitor

REV	DATE	ECN	DESCRIPTION	BY

B	CAGE CODE	DWG. NO.	REV
	1JA77	09-30	-