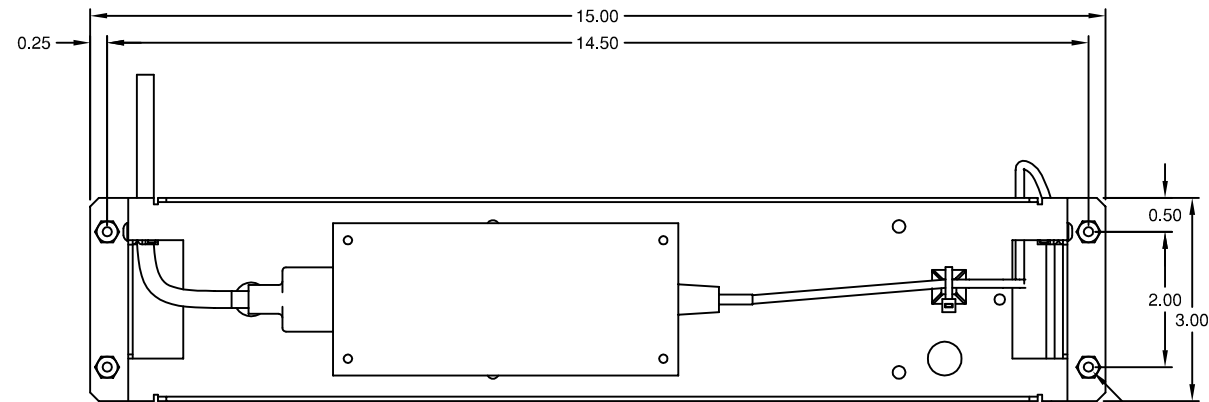
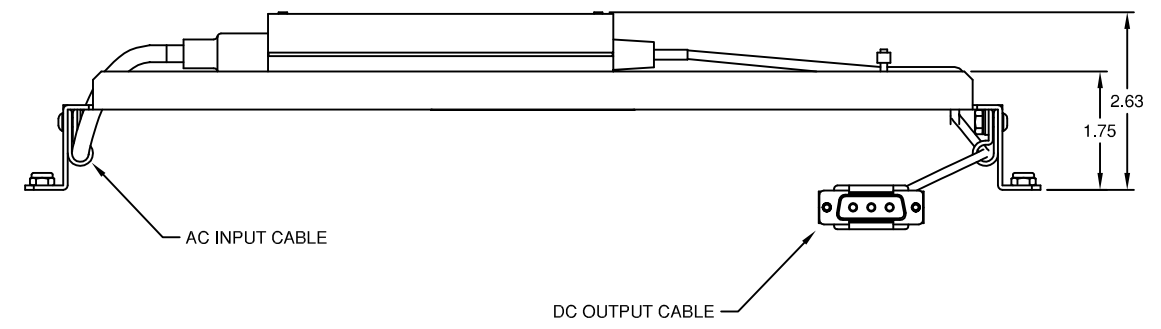
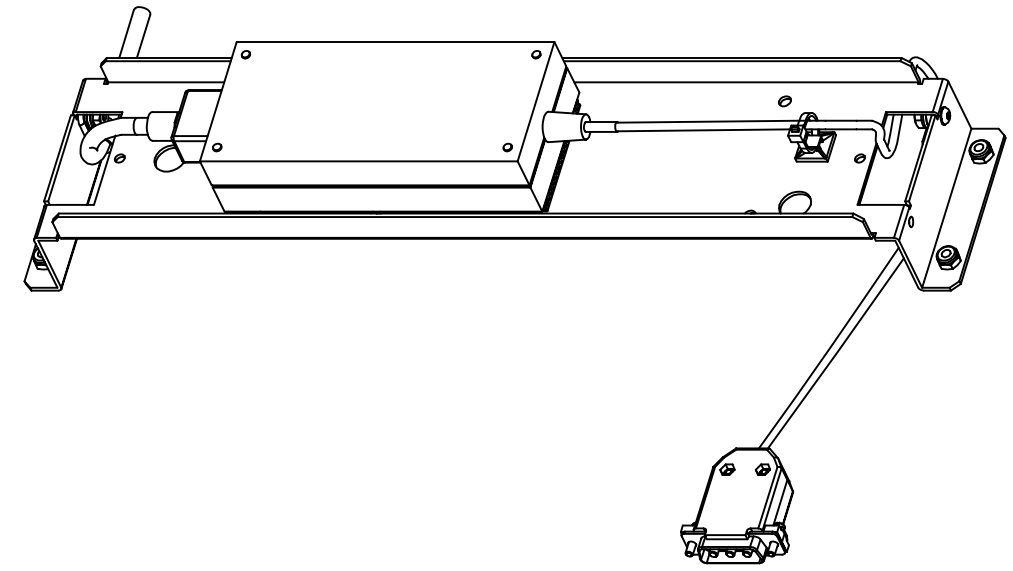


THIS DOCUMENT CONTAINS PROPRIETARY INFORMATION OF GENERAL DIGITAL AND IS NOT TO BE DISCLOSED, REPRODUCED OR PUBLISHED WITHOUT WRITTEN CONSENT FROM GENERAL DIGITAL. THIS DOCUMENT MUST BE RENDERED ILLEGIBLE WHEN BEING DISCARDED. © COPYRIGHT 2006. ALL RIGHTS RESERVED.

PS-AK-12100-PFC

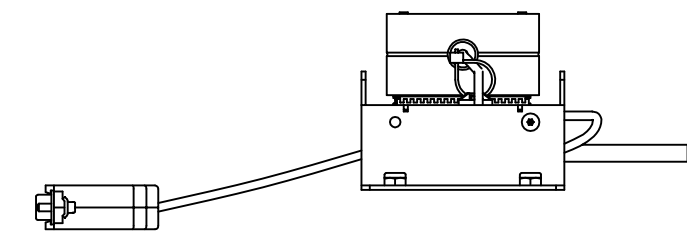


Ø0.156 MOUNTING HOLES FOR 6-32 UNF-2A STUDS 4 PLACES (NUTS SUPPLIED)



AC INPUT CABLE

DC OUTPUT CABLE



MECHANICAL OUTLINE ONLY. SPECIFICATIONS SUBJECT TO CHANGE WITHOUT NOTICE. U.O.S. ALL DIMENSIONS ARE IN INCHES.

APPROVALS	DATE
DRAWN C.P.	22-Feb-06
CHECKED T.R.	22-Feb-06
APPROVED B.G.	22-Feb-06
DO NOT SCALE DRAWING	



The Innovators of Flat Panel Technology
8 Nutmeg Road South, South Windsor, CT 06074
(860) 282-2900 www.GeneralDigital.com

SlimLine Lite II 100W Power Supply Kit			
B	CAGE CODE	DWG. NO.	REV
	1JA77	06-07	-