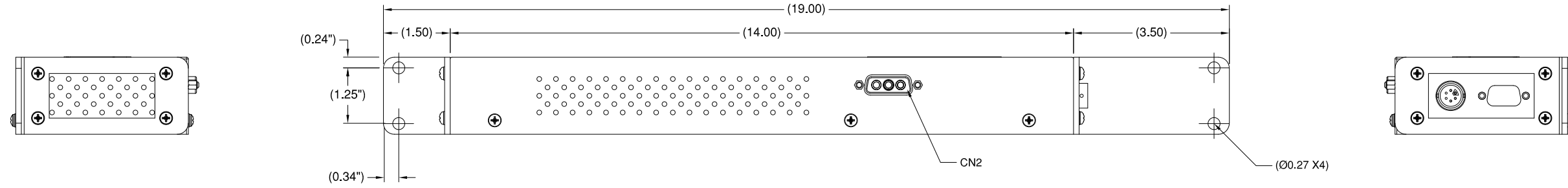


# CUSTOMER APPROVAL

COMPANY	NAME (PRINT)
DATE	SIGNATURE

90-1105-048-A

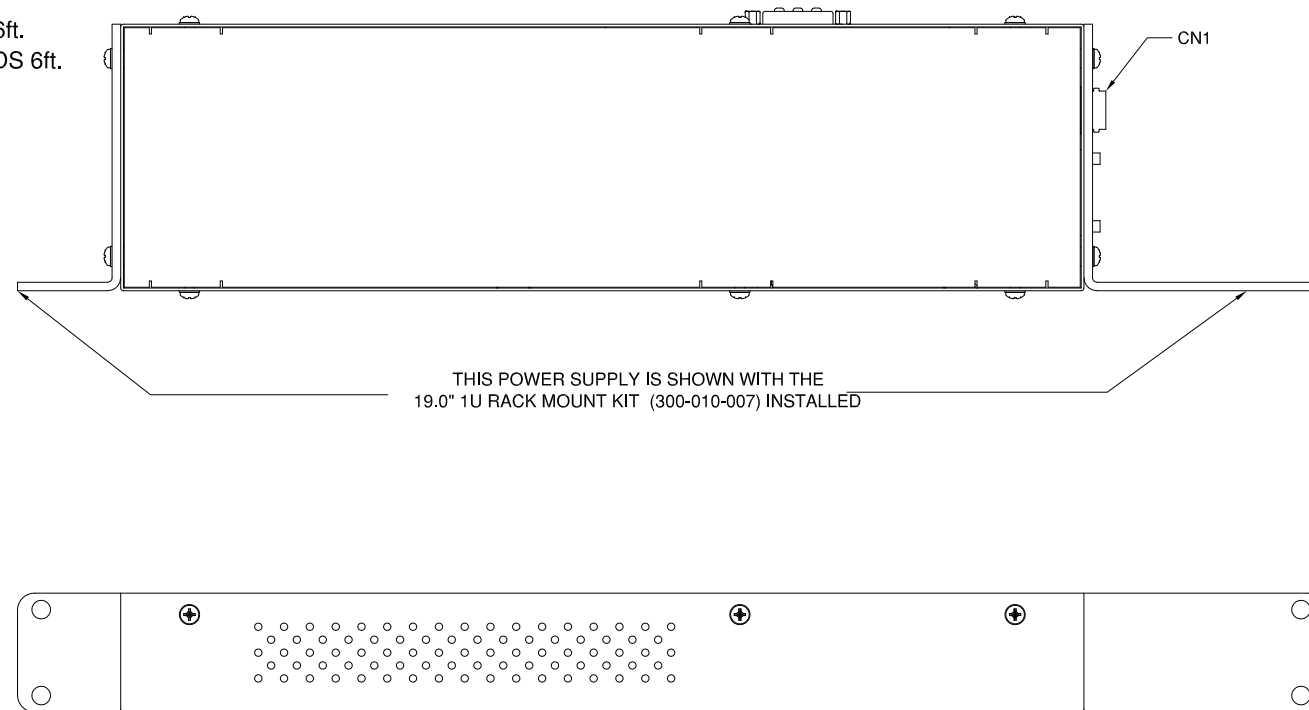


NOTE: DIMENSIONS IN PARENTHESIS REPRESENT THE 19" RACK MOUNT KIT WHEN INSTALLED ON THE POWER SUPPLY.

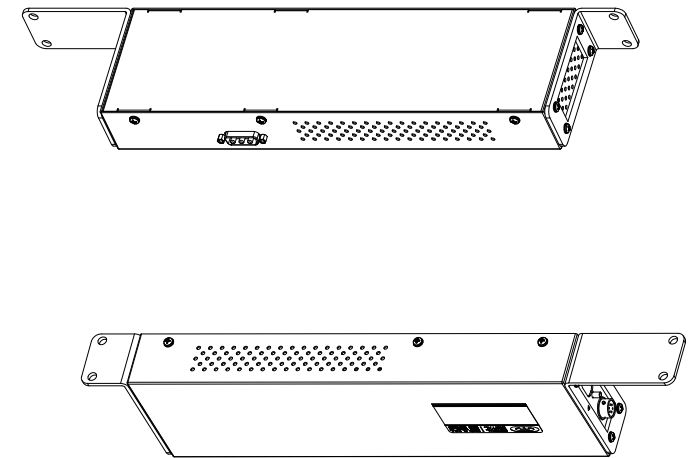
## ACCESSORIES

- 200-003-002: DC EXT CABLE, 6-PIN CIRCULAR PLUG (x2) HIROSE 6ft.
- 200-003-050: DC EXT CABLE, DA-15 3W3 SOCKET TO FLYING LEADS 6ft.
- 300-010-008: ACCESSORY KIT MOUNTING BRACKETS, SCREWS.

Power Supply Characteristics		
<b>Input (CN1)</b>	DC Voltage (VDC)	+9 TO +36 VDC
<b>Output (CN2)</b>	DC Voltage (VDC)	+12 VDC
	Current (A)	6.25A
<b>Environmental</b>	Storage Temperature (°C)	-40C TO +70C
	Operating Temperature (°C)	-40C TO +70C



THIS POWER SUPPLY IS SHOWN WITH THE 19.0" 1U RACK MOUNT KIT (300-010-007) INSTALLED



CN2 - DC Power Input	
Type: FM3W3P-K120, FCT US	
Pin	Signal
A1	+12 VDC
A3	Ground

CN1 - DC Power Output	
Type: RM12BRD-6S(81), HIROSE	
Pin	Signal
1,2	+12 VDC
3,4	Ground

THIS DOCUMENT CONTAINS PROPRIETARY INFORMATION OF GENERAL DIGITAL AND IS NOT TO BE DISCLOSED, REPRODUCED OR PUBLISHED WITHOUT WRITTEN CONSENT FROM GENERAL DIGITAL. THIS DOCUMENT MUST BE RENDERED ILLEGIBLE WHEN BEING DISCARDED. © COPYRIGHT 2013. ALL RIGHTS RESERVED.

UNLESS OTHERWISE SPECIFIED DIMENSIONS ARE IN INCHES TOLERANCES ARE:  
 FRACTIONS DECIMALS ANGLES  
 ±1/32 .X ±.050 ±0° 30'  
 .XX ±.031  
 .XXX±.020

CONNECTOR CHART		
DESIGNATION	FUNCTION	TYPE
CN1	DC OUTPUT	RM12BRD-6S(81), HIROSE
CN2	DC INPUT	FM3W3P-K120, FCT US

MECHANICAL OUTLINE ONLY. SPECIFICATIONS SUBJECT TO CHANGE WITHOUT NOTICE. U.O.S. ALL DIMENSIONS ARE IN INCHES.	
APPROVALS	DATE
FA	02-Mar-20
CHECKED	
APPROVED	
DO NOT SCALE DRAWING	



**GENERAL DIGITAL**  
*The Innovators of Flat Panel Technology*  
 8 Nutmeg Road South, South Windsor, CT 06074  
 (860) 282-2900 www.GeneralDigital.com

REV	DATE	ECN	DESCRIPTION	BY
A	01-Jan-20	E005848	POWER SUPPLY PCB 21-213 REV TO REV - B	FA

POWER SUPPLY - 75W 19.0" 1U RACK MOUNTABLE			
B	CAGE CODE	DWG. NO.	REV
	1JA77	1105-048-97	A