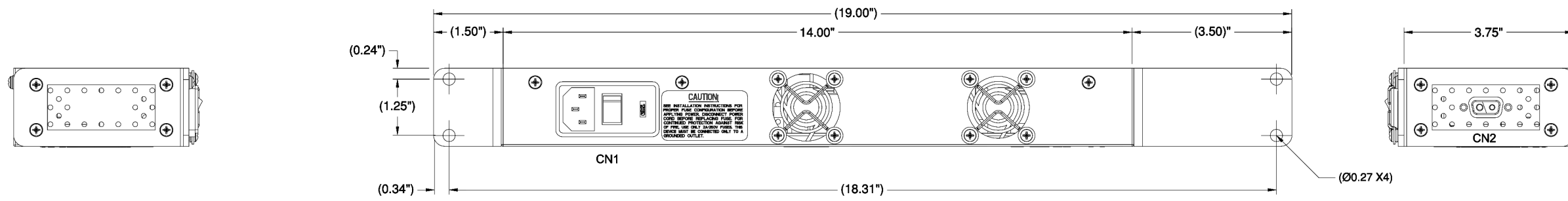
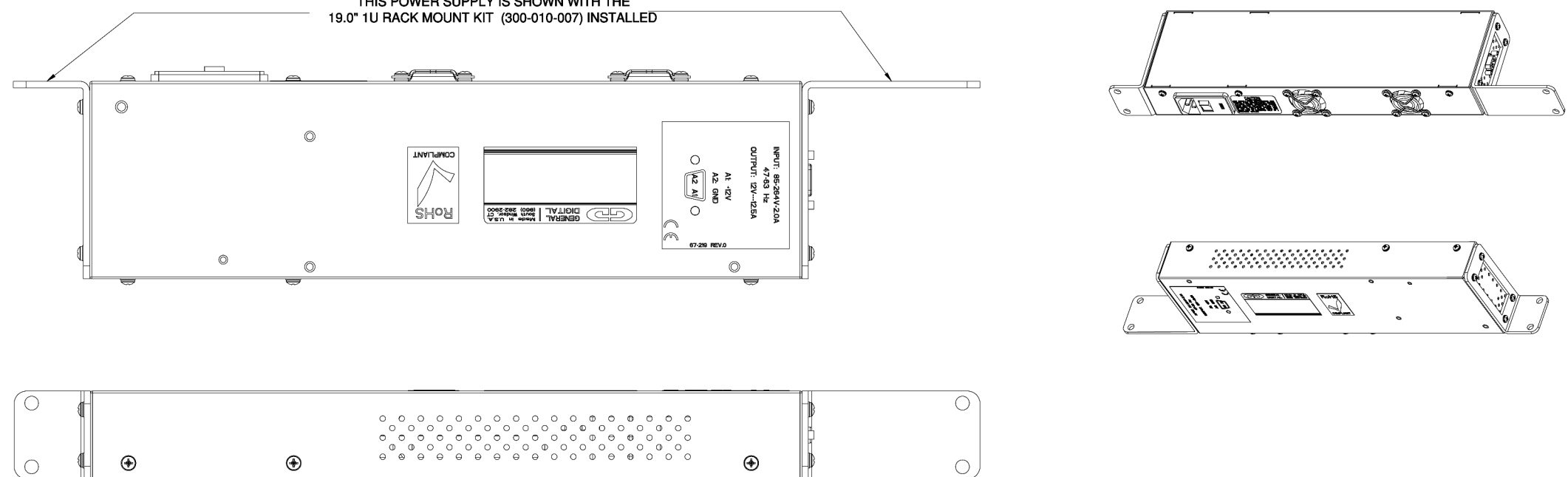


90-1105-019-C



NOTE: DIMENSIONS IN PARENTHESIS REPRESENT THE 19\"/>

THIS POWER SUPPLY IS SHOWN WITH THE 19.0\"/>



Power Supply Characteristics		
Input (CN1)	AC Voltage (VAC)	85 – 264 VAC
	Frequency (Hz)	47-63
Output (CN2)	DC Voltage (VDC)	+12 VDC
	Current (A)	12.5
Environmental	Storage Temperature (°C)	-20 – +75
	Operating Temperature (°C)	-10 – +50

CN2 - DC Power Output	
Type: DE-2W2-S	
Pin	Signal
A1	+12 VDC
A2	Ground

THIS DOCUMENT CONTAINS PROPRIETARY INFORMATION OF GENERAL DIGITAL AND IS NOT TO BE DISCLOSED, REPRODUCED OR PUBLISHED WITHOUT WRITTEN CONSENT FROM GENERAL DIGITAL. THIS DOCUMENT MUST BE RENDERED ILLEGIBLE WHEN BEING DISCARDED. © COPYRIGHT 2013. ALL RIGHTS RESERVED.

UNLESS OTHERWISE SPECIFIED DIMENSIONS ARE IN INCHES TOLERANCES ARE:  
 FRACTIONS DECIMALS ANGLES  
 ±1/32 .X ±.050 ±0° 30'  
 .XX ±.031  
 .XXX±.020

CONNECTOR CHART		
DESIGNATION	FUNCTION	TYPE
CN1	AC INPUT	IEC 60321-1 C14
CN2	12 VDC OUTPUT	DE 2W2-S

MECHANICAL OUTLINE ONLY. SPECIFICATIONS SUBJECT TO CHANGE WITHOUT NOTICE. U.O.S. ALL DIMENSIONS ARE IN INCHES.	
APPROVALS	DATE
DRAWN M.M.	26-Feb-19
CHECKED	
APPROVED	
DO NOT SCALE DRAWING	



The Innovators of Flat Panel Technology  
 8 Nutmeg Road South, South Windsor, CT 06074  
 (860) 282-2900 www.GeneralDigital.com

POWER SUPPLY - 150W 19.0\"/>			
REV	CAGE CODE	DWG. NO.	REV
B	1JA77	1105-019-97-C	C

REV	DATE	ECN	DESCRIPTION	BY