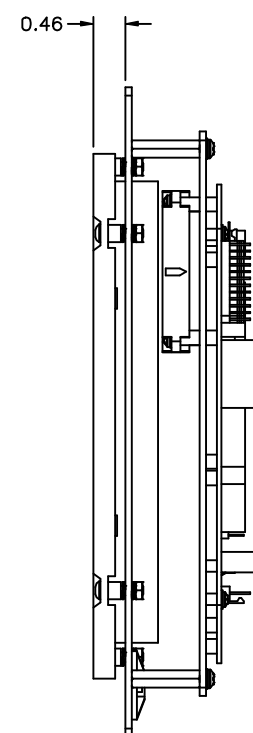
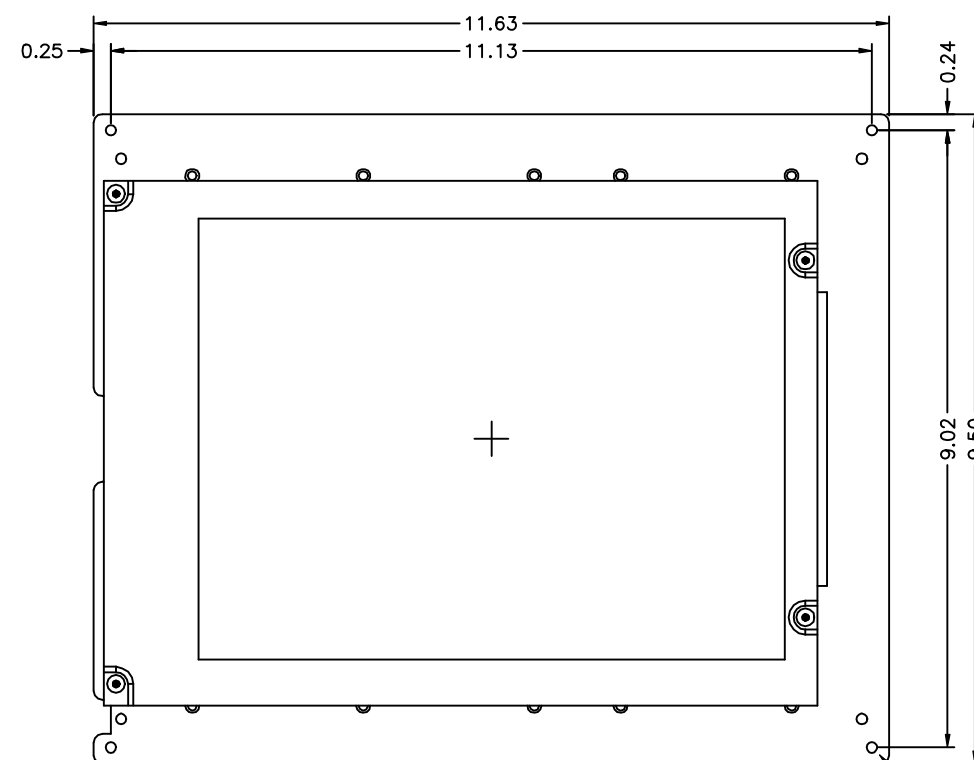
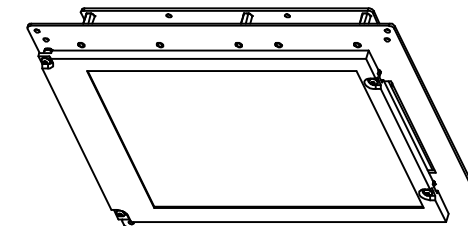
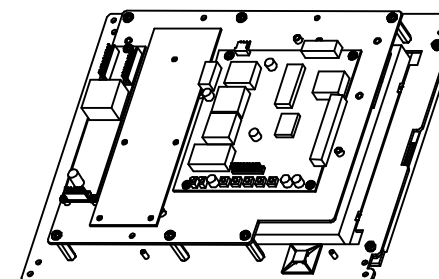
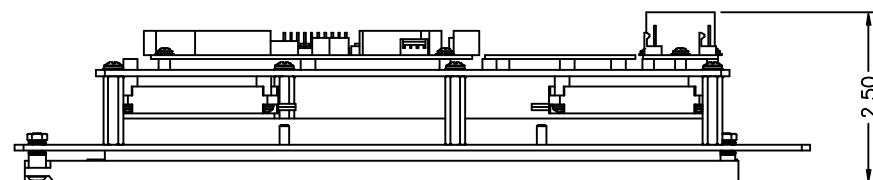
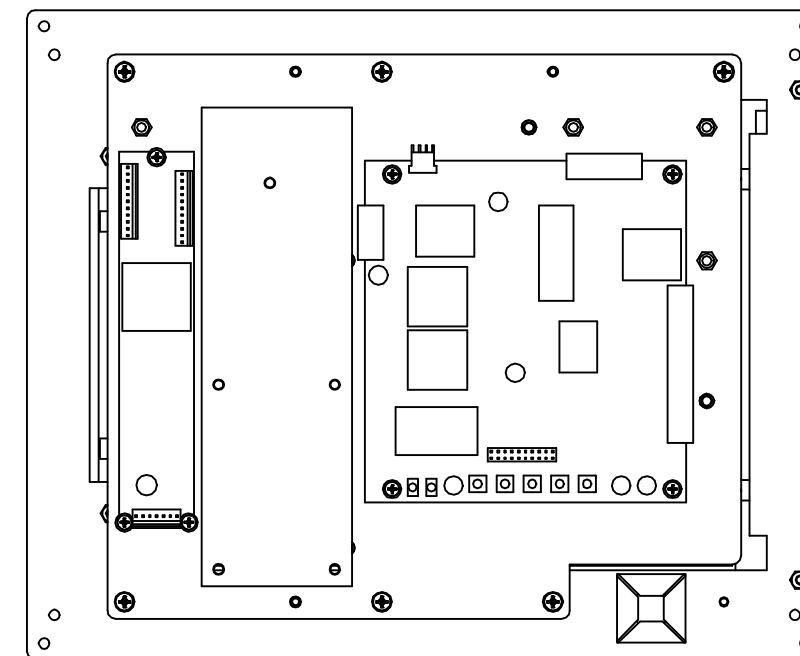


THIS DOCUMENT CONTAINS PROPRIETARY INFORMATION OF GENERAL DIGITAL AND IS NOT TO BE DISCLOSED, REPRODUCED OR PUBLISHED WITHOUT WRITTEN CONSENT FROM GENERAL DIGITAL. THIS DOCUMENT MUST BE RENDERED ILLEGIBLE WHEN BEING DISCARDED. © COPYRIGHT 1999. ALL RIGHTS RESERVED.

SMK-10V-ST



#6 MOUNTING HOLES
4 PL.



MECHANICAL OUTLINE ONLY SPECIFICATIONS SUBJECT TO CHANGE WITHOUT NOTICE	
APPROVALS	DATE
DRAWN C.P.	05-Apr-99
CHECKED T.B.	05-Apr-99
APPROVED B.G.	05-Apr-99
DO NOT SCALE DRAWING	

GD GENERAL DIGITAL

The Innovators of Flat Panel Displays and Systems
160 Chapel Road, Manchester CT 06040
(860) 645-2200 www.GenDig.com (860) 645-2201

OEM MONITOR KIT
10.4" VGA FLAT PANEL MONITOR

B	CAGE CODE	DWG. NO.	REV
	1JA77	SMK-10V-ST	-