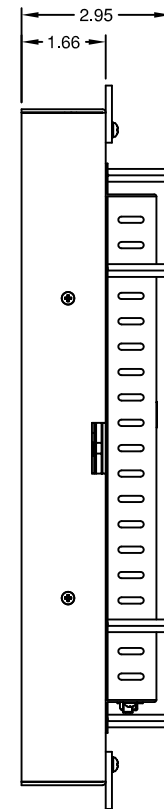
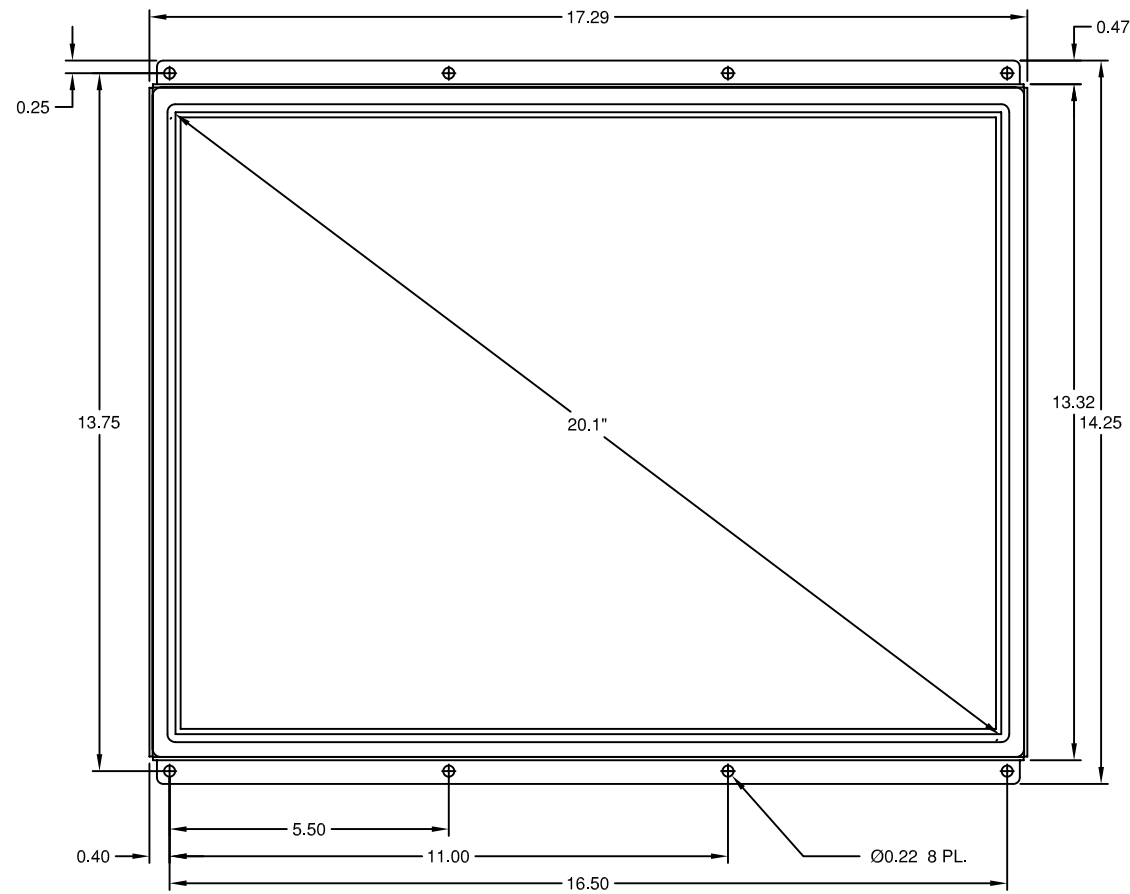
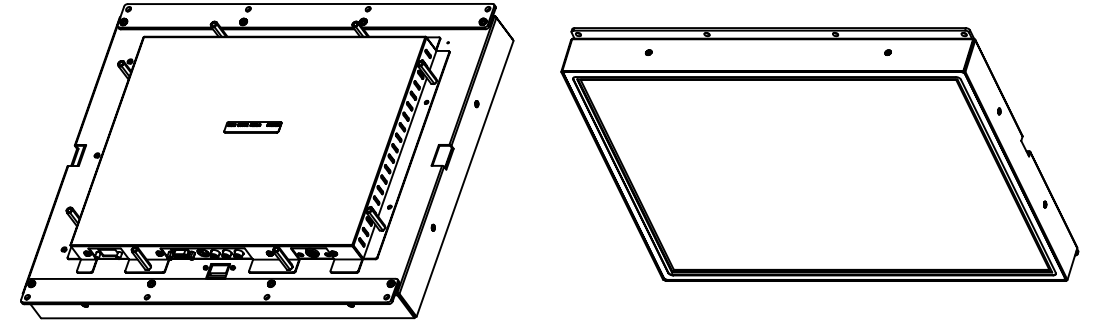
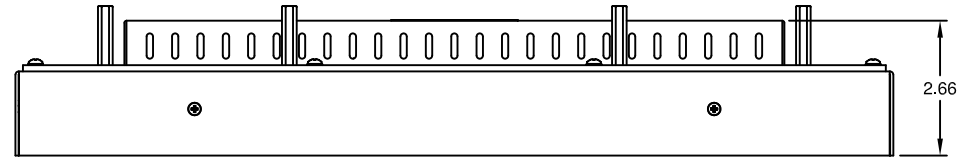
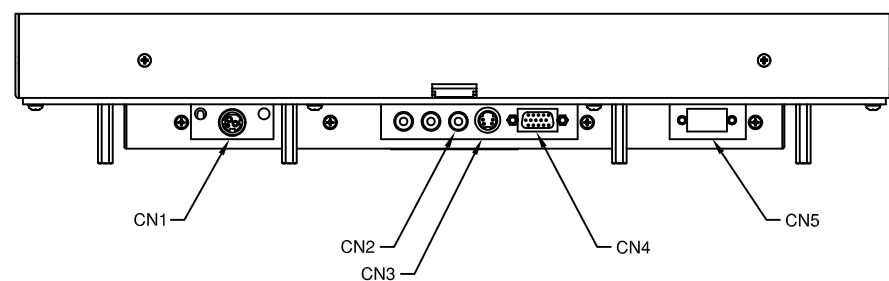
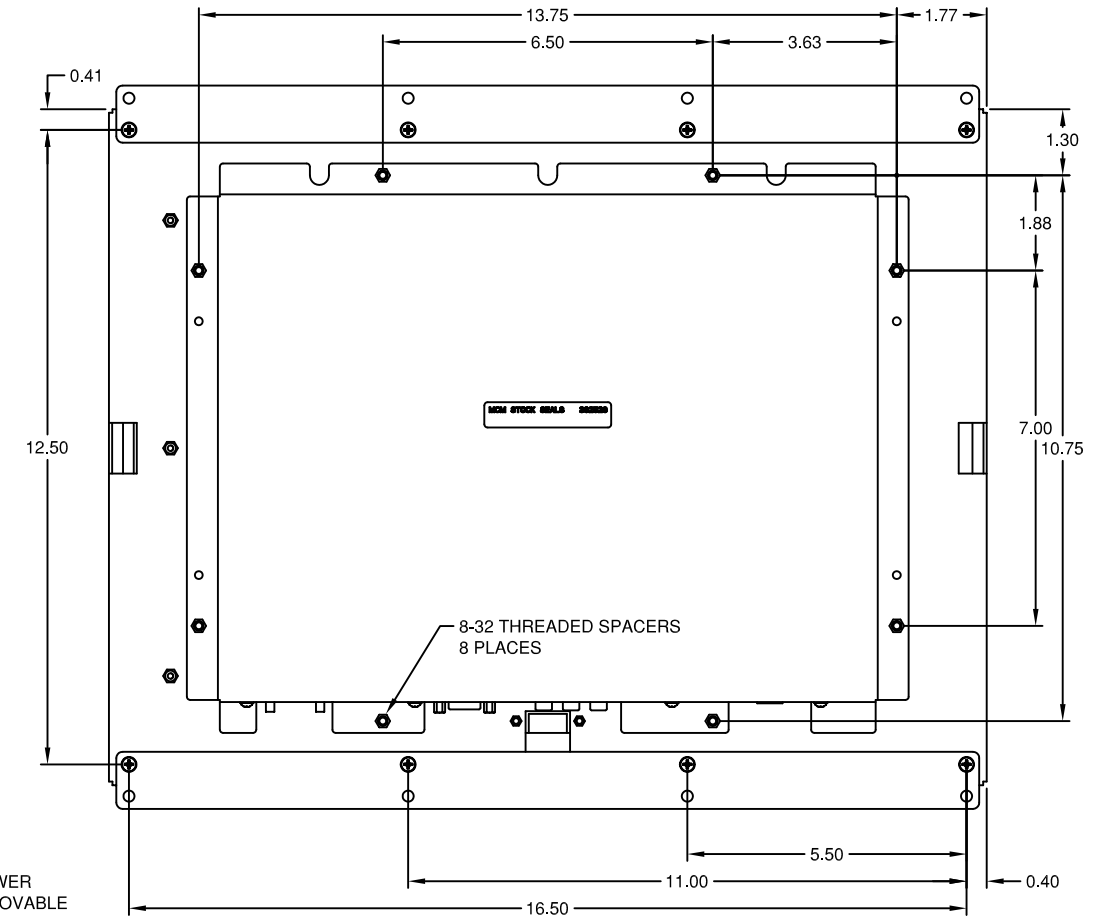


THIS DOCUMENT CONTAINS PROPRIETARY INFORMATION OF GENERAL DIGITAL AND IS NOT TO BE DISCLOSED, REPRODUCED OR PUBLISHED WITHOUT WRITTEN CONSENT FROM GENERAL DIGITAL. THIS DOCUMENT MUST BE RENDERED ILLEGIBLE WHEN BEING DISCARDED. © COPYRIGHT 2004. ALL RIGHTS RESERVED.

CM-20U-806-13-00-00-gg-0092



THE UPPER AND LOWER BRACKETS ARE REMOVABLE



CONNECTOR CHART			MECHANICAL OUTLINE ONLY. SPECIFICATIONS SUBJECT TO CHANGE WITHOUT NOTICE. U.O.S. ALL DIMENSIONS ARE IN INCHES.	
DESIGNATION	FUNCTION	TYPE	APPROVALS	DATE
CN1	+12 VDC INPUT	3-PIN KYCON	DRAWN	07-Jun-04
CN2	COMPOSITE VIDEO INPUT	RCA STYLE	C.P.	07-Jun-04
CN3	S-VIDEO INPUT	4-PIN MINI DIN	CHECKED	07-Jun-04
CN4	ANALOG VIDEO INPUT	DE-15-S	T.R.	07-Jun-04
CN5	SERIAL INPUT (OPTIONAL)	DE-9-P	APPROVED	07-Jun-04
			B.G.	07-Jun-04
DO NOT SCALE DRAWING				



GENERAL DIGITAL
The Innovators of Flat Panel Technology
 8 Nutmeg Road South, South Windsor, CT 06074
 (860) 282-2900 www.GeneralDigital.com

CHASSIS MONITOR KIT
20.1" UXGA FLAT PANEL MONITOR

B	CAGE CODE	DWG. NO.	REV
	1JA77	04-14	-