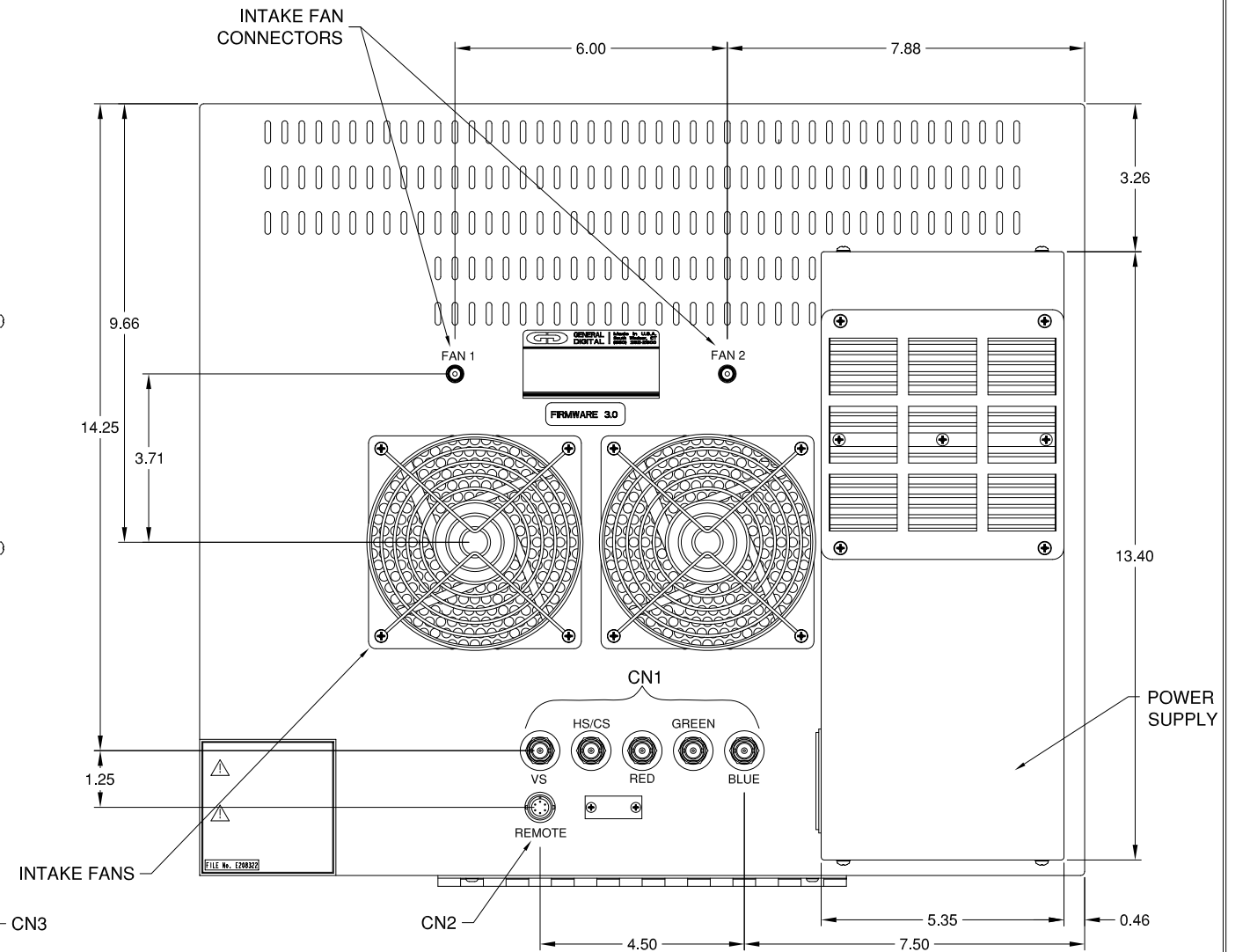
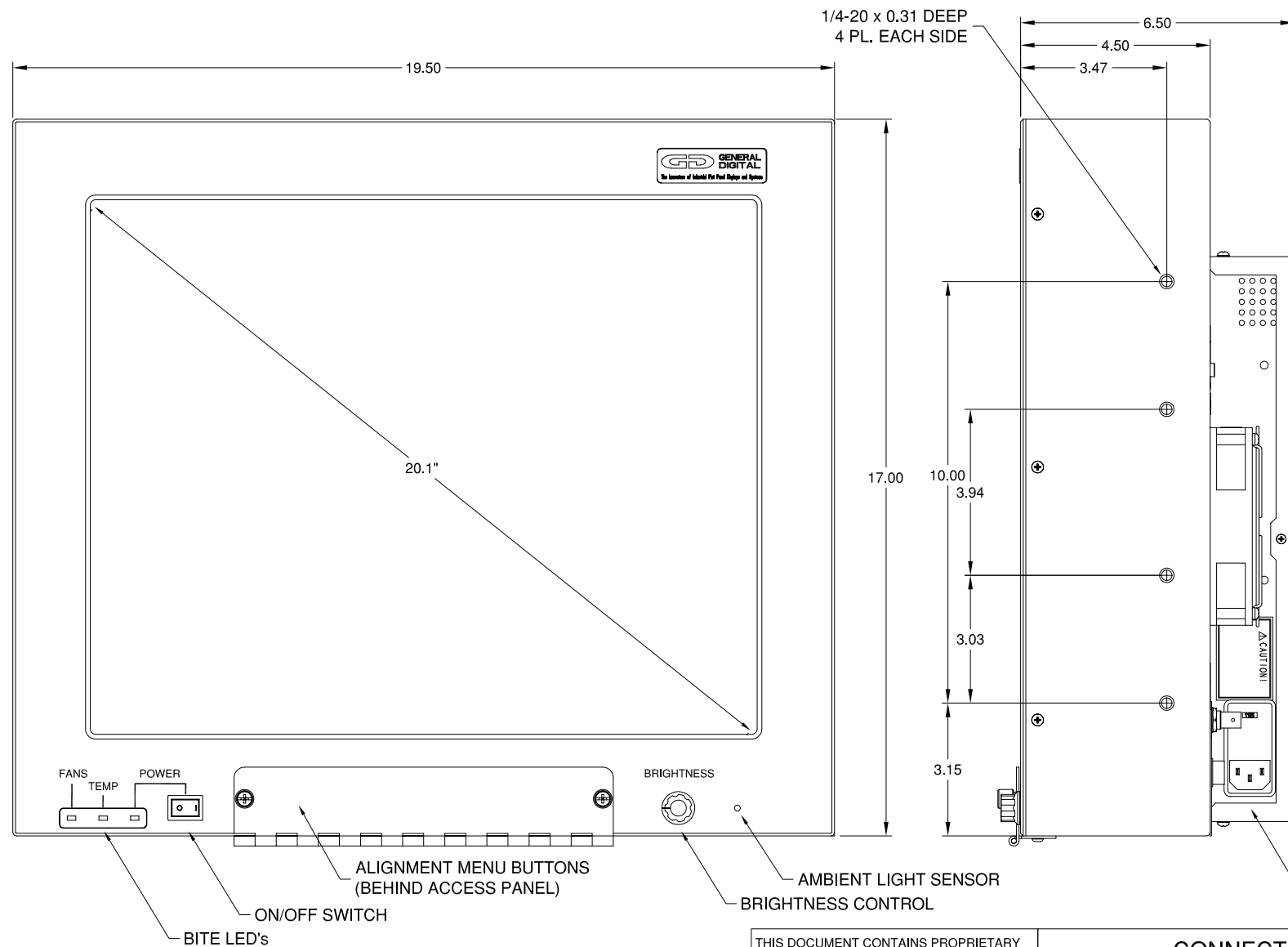
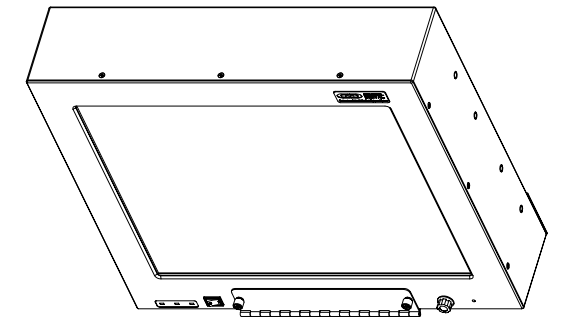
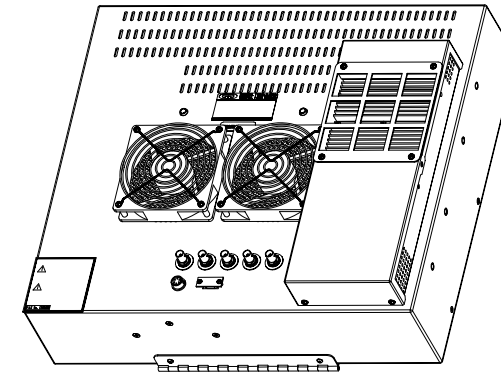
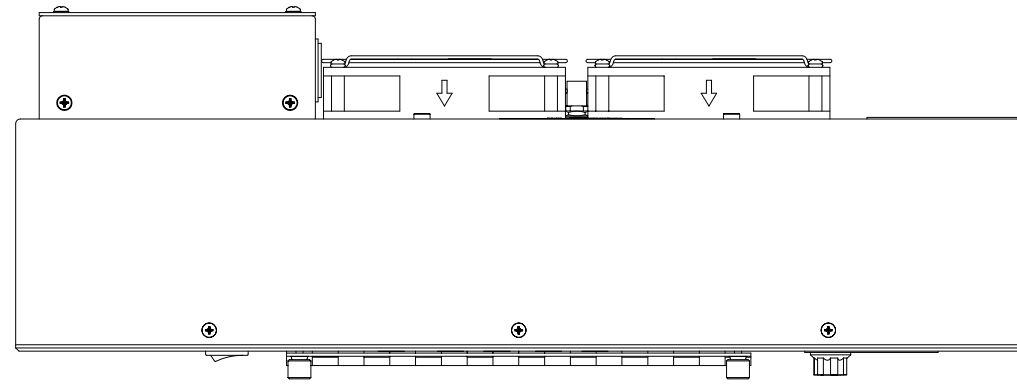


UB-20W-974-dd-00-01-63-EA25



THIS DOCUMENT CONTAINS PROPRIETARY INFORMATION OF GENERAL DIGITAL AND IS NOT TO BE DISCLOSED, REPRODUCED OR PUBLISHED WITHOUT WRITTEN CONSENT FROM GENERAL DIGITAL. THIS DOCUMENT MUST BE RENDERED ILLEGIBLE WHEN BEING DISCARDED. © COPYRIGHT 2009. ALL RIGHTS RESERVED.

UNLESS OTHERWISE SPECIFIED DIMENSIONS ARE IN INCHES
TOLERANCES ARE:
FRACTIONS DECIMALS ANGLES
±1/32 .X ±.050 ±0° 30'
.XX ±.031
.XXX±.020

CONNECTOR CHART

DESIGNATION	FUNCTION	TYPE
CN1	ANALOG VIDEO INPUT	5 BNC's
CN2	REMOTE BRIGHTNESS CONTROL	6-PIN CIRC.
CN3	AC INPUT	IEC-320
CN4		
CN5		
CN6		

MECHANICAL OUTLINE ONLY. SPECIFICATIONS SUBJECT TO CHANGE WITHOUT NOTICE. U.O.S. ALL DIMENSIONS ARE IN INCHES.

APPROVALS		DATE
DRAWN	C.P.	07-Dec-09
CHECKED	T.R.	07-Dec-09
APPROVED	B.G.	07-Dec-09

DO NOT SCALE DRAWING



The Innovators of Flat Panel Technology
8 Nutmeg Road South, South Windsor, CT 06074
(860) 282-2900 www.GeneralDigital.com

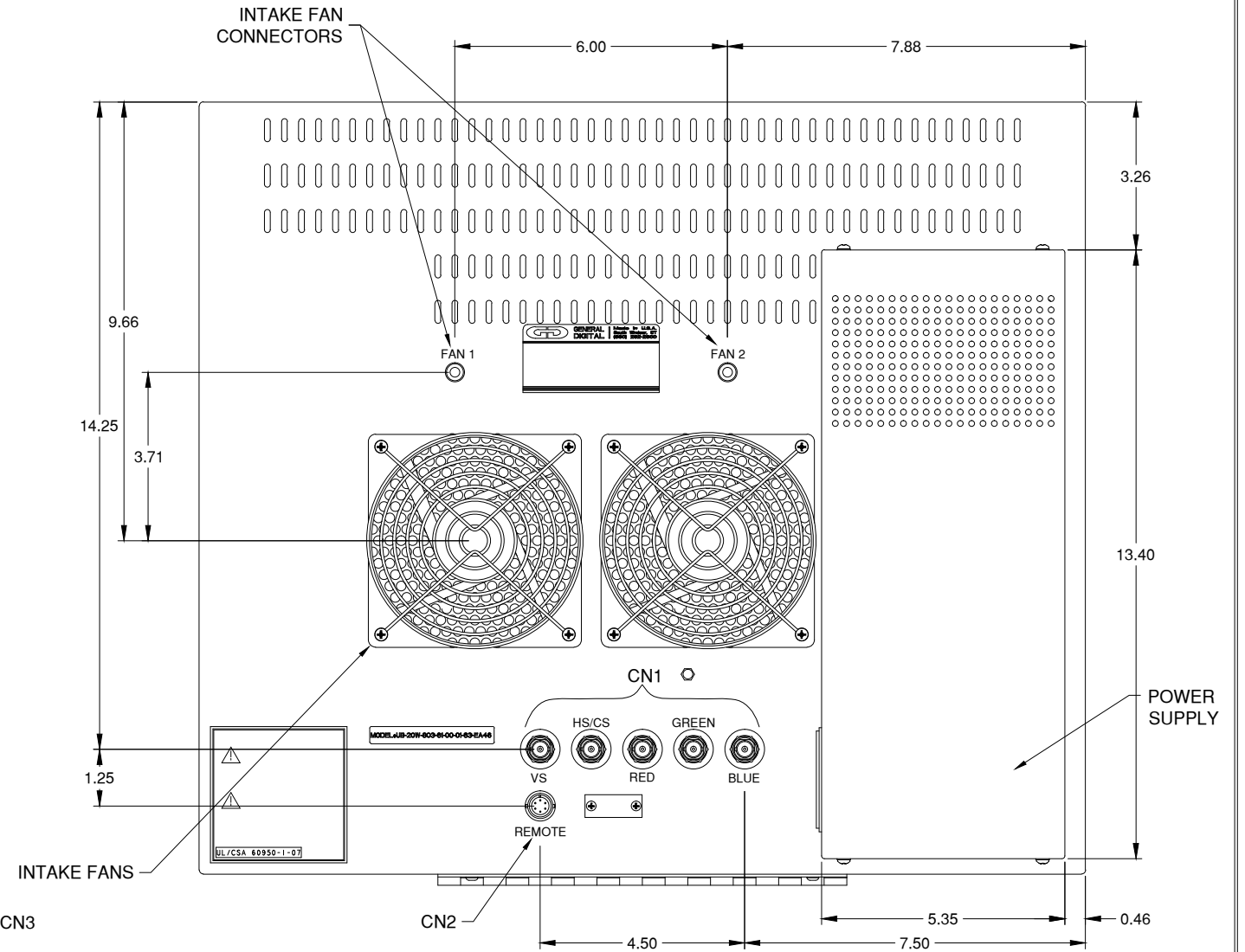
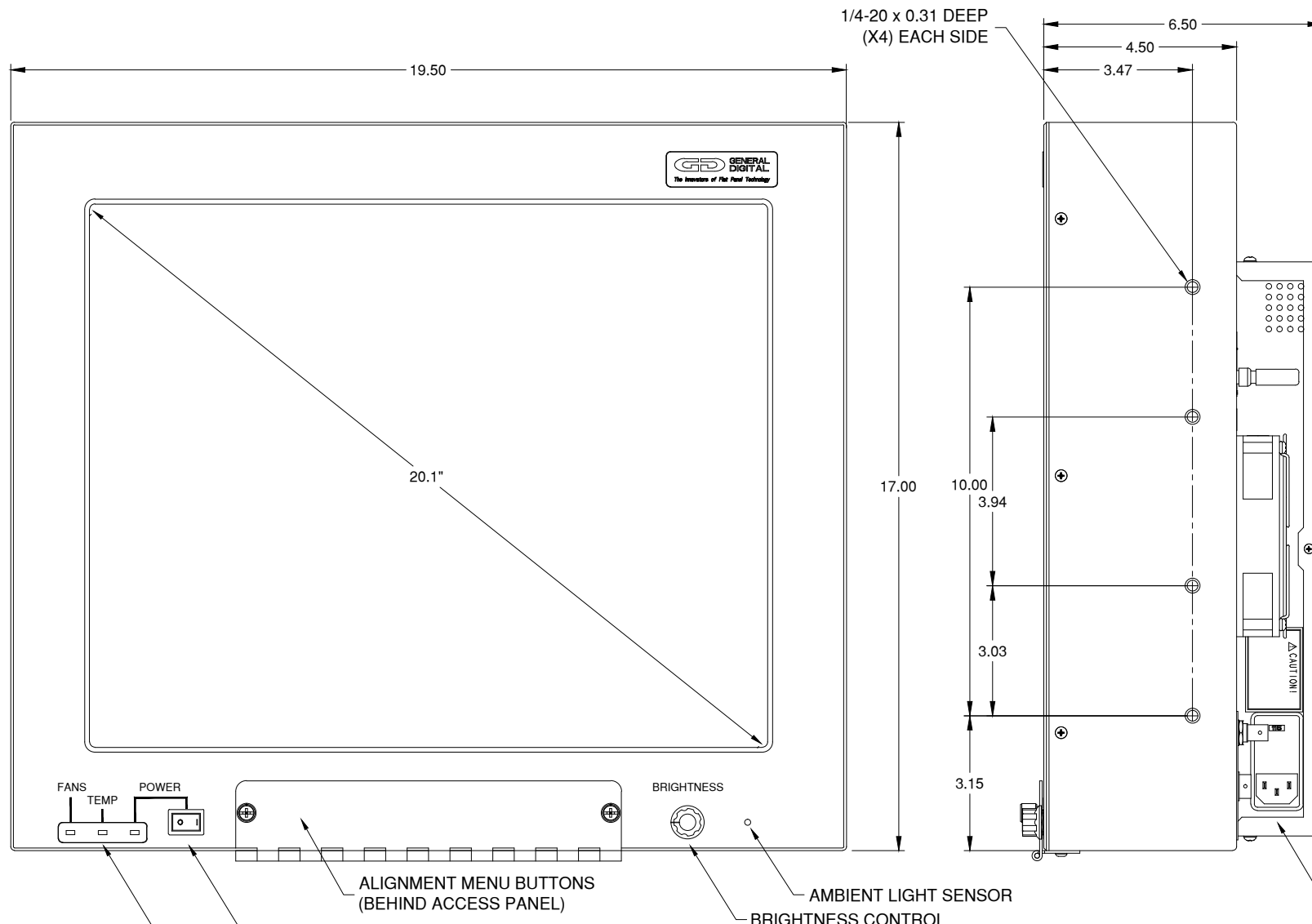
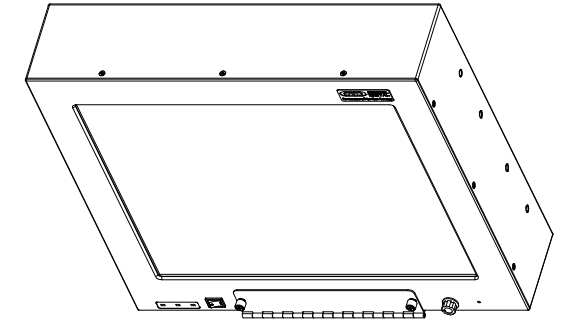
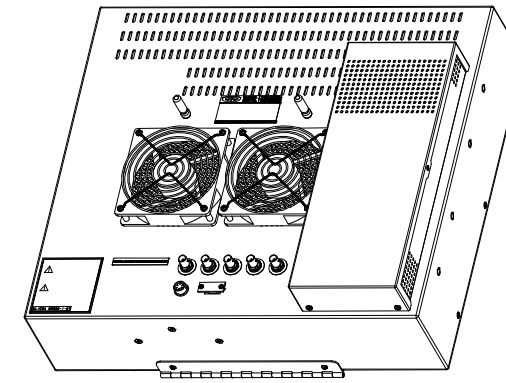
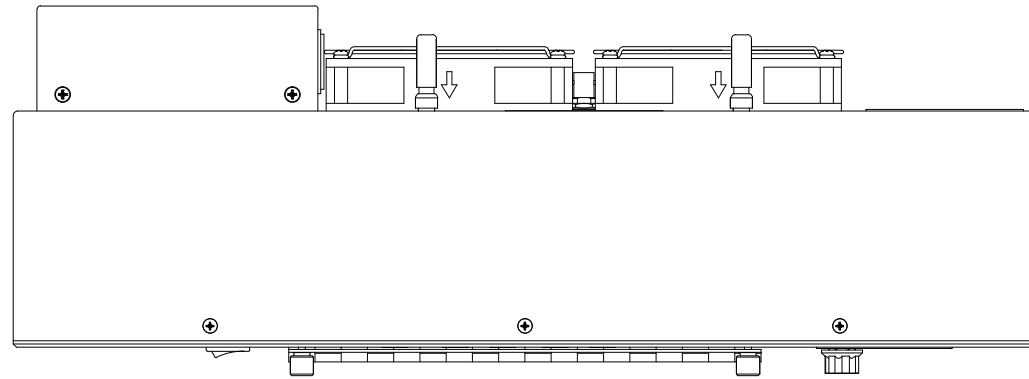
GENSTAR III - ULTRA-BRIGHT LED
20.1" SXGA FLAT PANEL MONITOR

REV	DATE	ECN	DESCRIPTION	BY
B		1JA77		

CAGE CODE	DWG. NO.	REV
1JA77	09-58	-

REV	DATE	ECN	DESCRIPTION	BY
B		1JA77		

UB-20W-988-37-00-01-63-EA46




THIS DOCUMENT CONTAINS PROPRIETARY INFORMATION OF GENERAL DIGITAL AND IS NOT TO BE DISCLOSED, REPRODUCED OR PUBLISHED WITHOUT WRITTEN CONSENT FROM GENERAL DIGITAL. THIS DOCUMENT MUST BE RENDERED ILLEGIBLE WHEN BEING DISCARDED. ©COPYRIGHT 2013. ALL RIGHTS RESERVED.

UNLESS OTHERWISE SPECIFIED DIMENSIONS ARE IN INCHES
TOLERANCES ARE:
FRACTIONS DECIMALS ANGLES
±1/32 .X ±.050 ±0° 30'
.XX ±.031
.XXX±.020

CONNECTOR CHART		
DESIGNATION	FUNCTION	TYPE
CN1	ANALOG VIDEO INPUT	5 BNC's
CN2	REMOTE BRIGHTNESS CONTROL	6-PIN CIRC.
CN3	AC INPUT	IEC-320
CN4		
CN5		
CN6		

MECHANICAL OUTLINE ONLY. SPECIFICATIONS SUBJECT TO CHANGE WITHOUT NOTICE. U.O.S. ALL DIMENSIONS ARE IN INCHES.

APPROVALS		DATE
DRAWN	GL	11-Mar-14
CHECKED	T.R.	
APPROVED	B.G.	
DO NOT SCALE DRAWING		



GENERAL DIGITAL
The Innovators of Flat Panel Technology

8 Nutmeg Road South, South Windsor, CT 06074
(860) 282-2900 www.GeneralDigital.com

**GENSTAR III - ULTRA-BRIGHT LED
20.1" SXGA FLAT PANEL MONITOR**

B	CAGE CODE 1JA77	DWG. NO. 14-20	REV -
----------	--------------------	-------------------	----------

REV	DATE	ECN	DESCRIPTION	BY