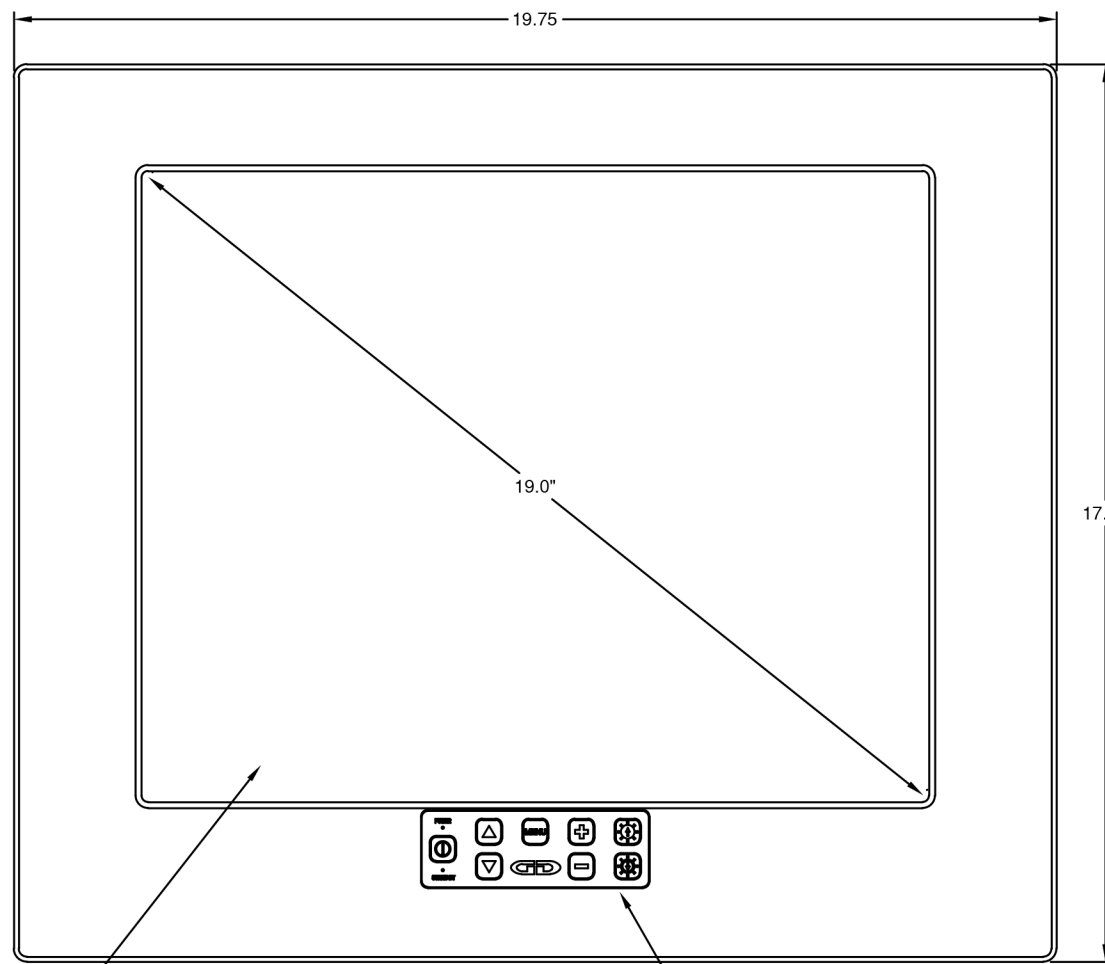
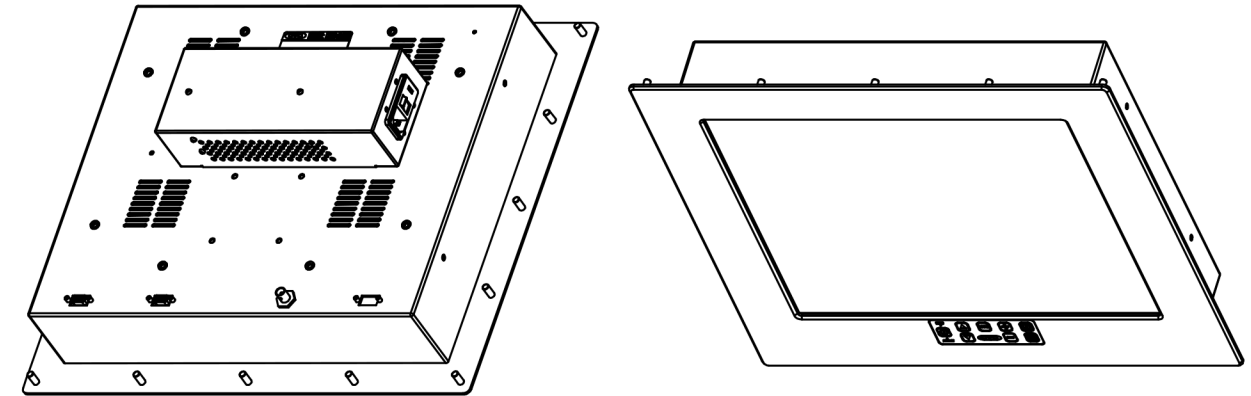


REAR MOUNTED POWER SUPPLY

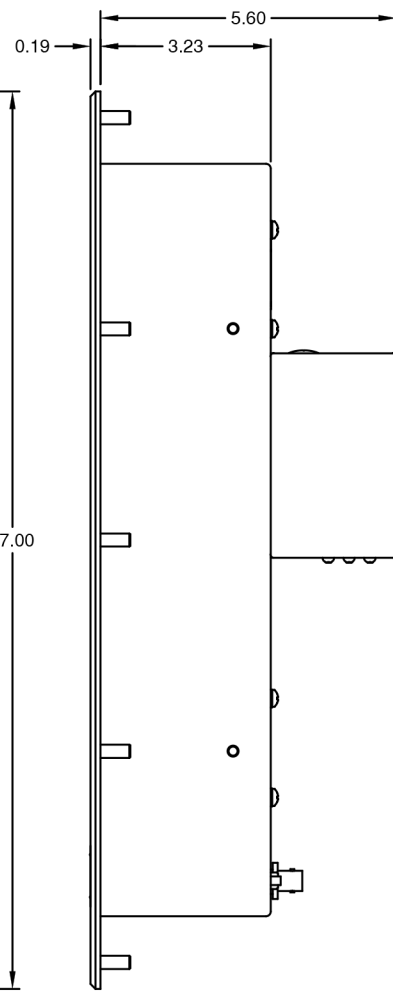


19.0"

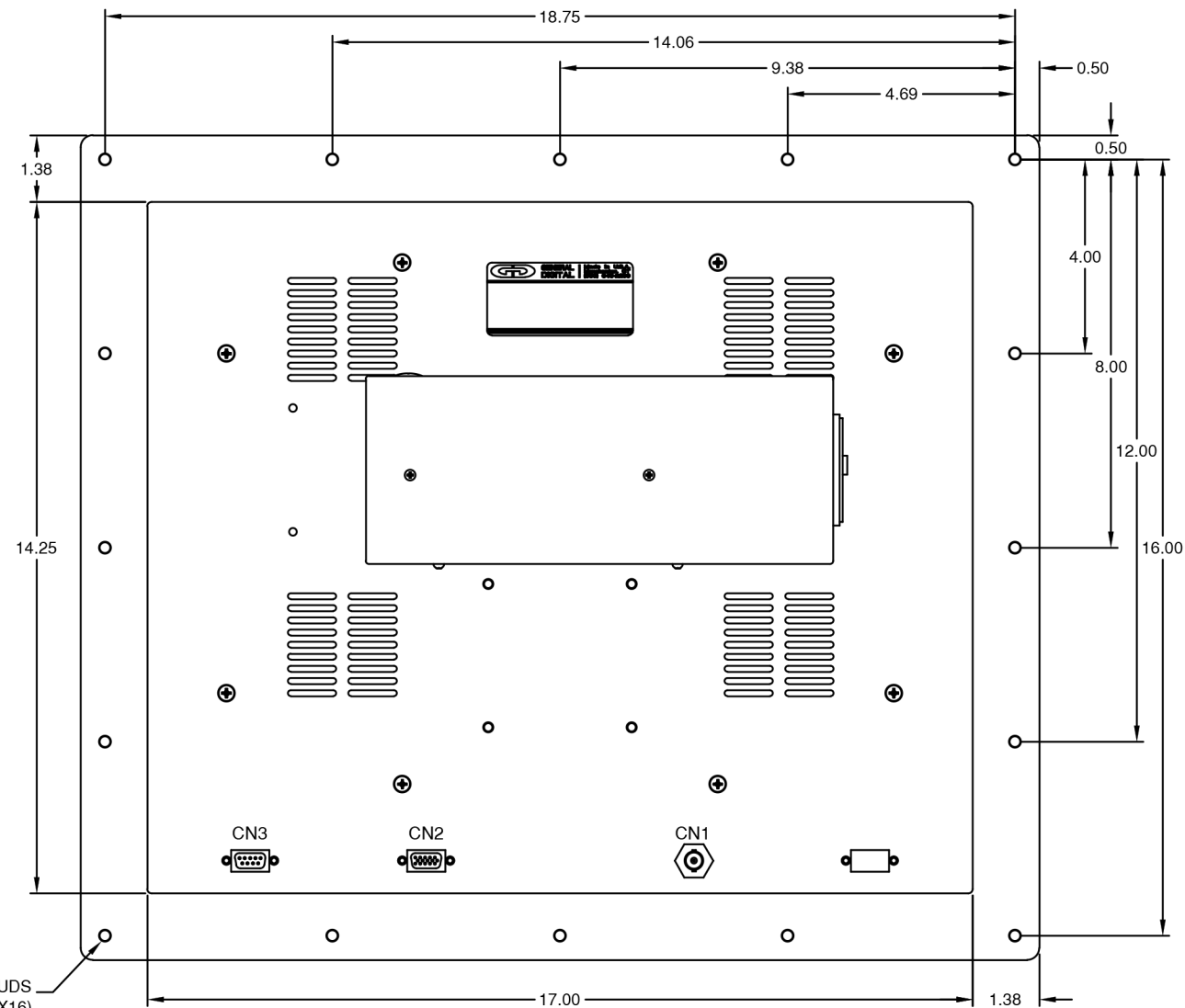


CALIBRATION KEYPAD

CAPACITIVE TOUCH SCREEN OVERLAY WITH AR FRONT SURFACE



MOUNTING STUDS 1/4-20 x 0.50" LONG (X16)



THIS DOCUMENT CONTAINS PROPRIETARY INFORMATION OF GENERAL DIGITAL AND IS NOT TO BE DISCLOSED, REPRODUCED OR PUBLISHED WITHOUT WRITTEN CONSENT FROM GENERAL DIGITAL. THIS DOCUMENT MUST BE RENDERED ILLEGIBLE WHEN BEING DISCARDED. © COPYRIGHT 2020. ALL RIGHTS RESERVED.

UNLESS OTHERWISE SPECIFIED DIMENSIONS ARE IN INCHES TOLERANCES ARE:  
 FRACTIONS DECIMALS ANGLES  
 ±1/32 .X ±.050 ±0° 30'  
 .XX ±.031  
 .XXX±.020

CONNECTOR CHART

DESIGNATION	FUNCTION	TYPE
CN1	COMPOSITE VIDEO INPUT	BNC STYLE
CN2	ANALOG VIDEO INPUT	DE-15-S
CN3	SERIAL INPUT	DE-9-S
CN4	AC-LINE ENTRY MODULE	IEC-320

MECHANICAL OUTLINE ONLY. SPECIFICATIONS SUBJECT TO CHANGE WITHOUT NOTICE. U.O.S. ALL DIMENSIONS ARE IN INCHES.

APPROVALS	DATE
DRAWN C.P.	07-May-05
CHECKED N.C.	21-Jul-20
APPROVED J.H.	21-Jul-20

DO NOT SCALE DRAWING



60 Prestige Park Road, East Hartford, CT 06108  
 (860) 282-2900 www.GeneralDigital.com

RGB INDUSTRIAL  
 19.0" SXGA LED FLAT PANEL MONITOR

<b>B</b>	CAGE CODE	DWG. NO.	REV
	1JA77	600-208-97	D