

DISPLAY CHARACTERISTICS

CHARACTERISTIC	VALUE	UNIT
SIZE (DIAGONAL)	6.5	INCHES
RESOLUTION	1024 x 768	PIXELS
CONTRAST	DARK ROOM	367
	WEBER	2.72
MAX BRIGHTNESS	DAY MODE	1020
	NVIS MODE	20
VIEWING ANGLE	HORIZONTAL	± 80
	VERTICAL	+ 80 / - 60
NIGHT VISION COMPATABILITY	WHITE-B	-
POWER-ON TIME	< 5	SEC
POWER-ON BACKLIGHT MODE	NVIS	-

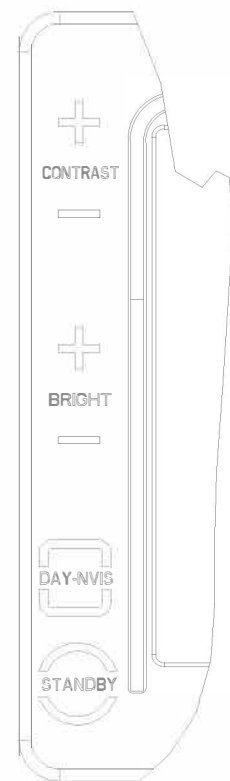
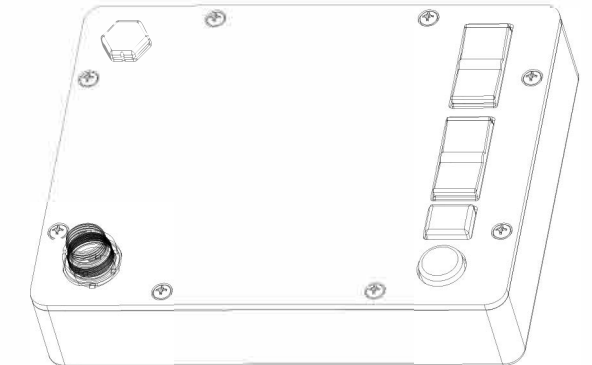
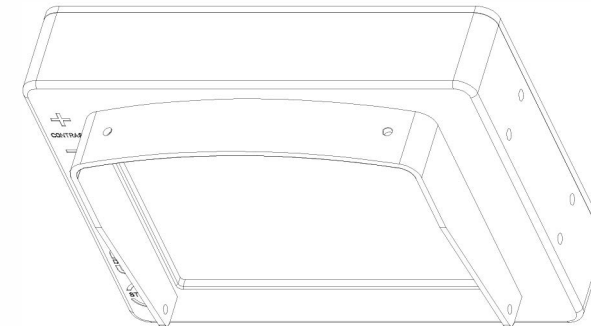
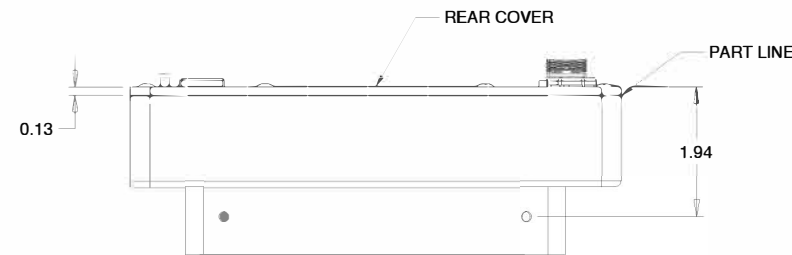
2. VIDEO REQUIREMENTS: HDMI - 1024x768 @ 60Hz

3. FINISH:

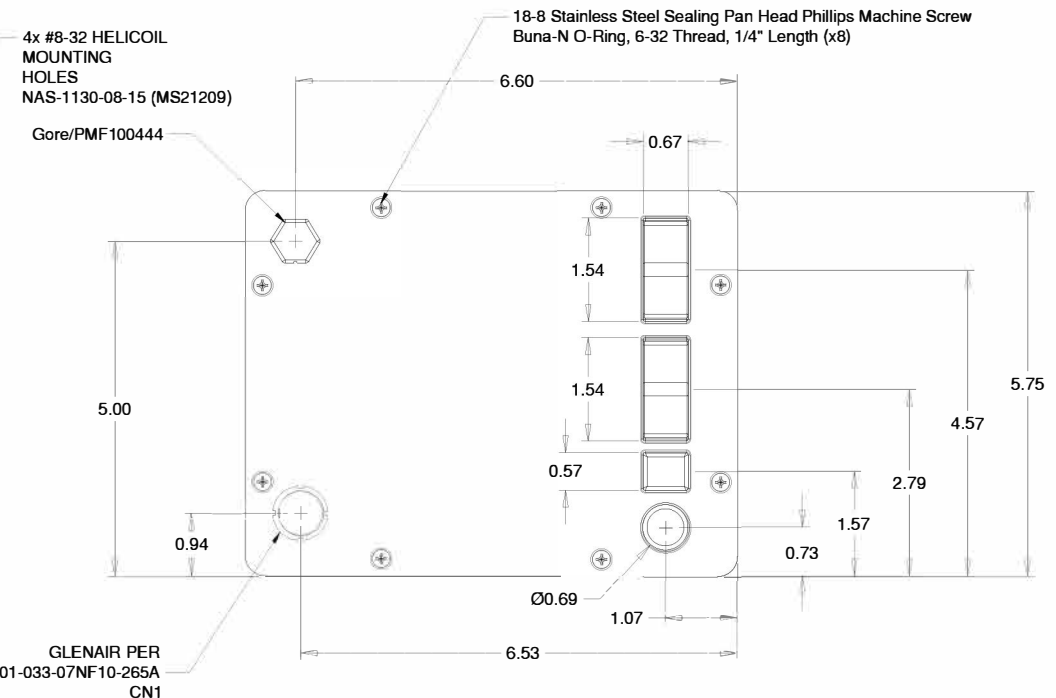
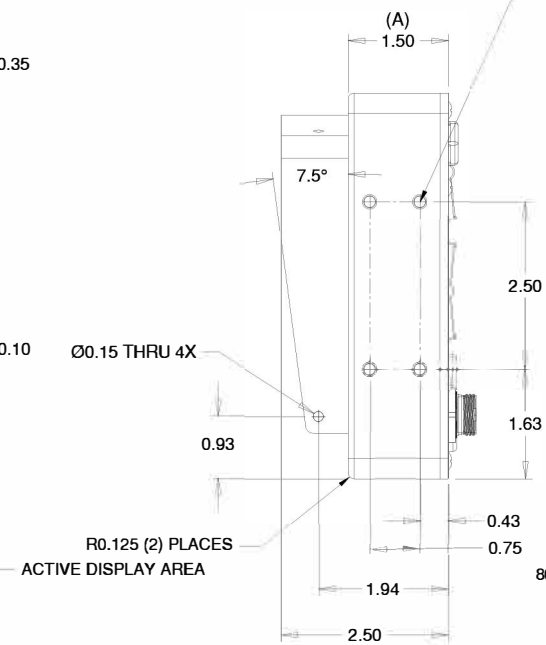
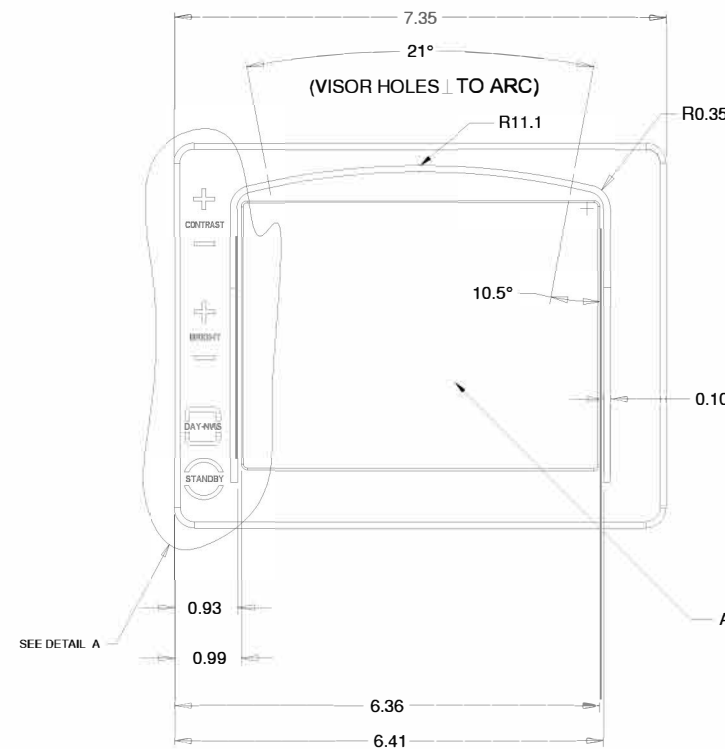
- > ALL CONDUCTIVE SURFACES TO BE COATED PER MIL-DTL-5541 Type II Class 3
- > ALL NON CONDUCTIVE SURFACES SHALL BE BLACK ANODIZED PER MIL-A-8625 TYPE III, CLASS 2.
- > EXTERIOR SURFACES TO BE FINISHED PER MIL-DTL-53072, DESERT TAN, COLOR #686A, (Fed-STD-595)
- > ENGRAVE ALL TEXT PRIOR TO PAINT (0.010-0.015 DEPTH)
PAINT PER PRINT
SYRINGE INK FILL TEXT - COLOR BLACK

90-3064-016

THE INFORMATION CONTAINED ON THIS DRAWING MAY BE SUBJECT TO INTERNATIONAL TRAFFIC IN ARMS REGULATIONS (ITAR) OR EXPORT ADMINISTRATION REGULATIONS (EAR) CONTROLS AND MAY NOT BE DISCLOSED TO ANY FOREIGN PERSON OR FIRM, INCLUDING FOREIGN PERSONS EMPLOYED BY OR ASSOCIATED WITH YOUR FIRM, WITHOUT FIRST COMPLYING WITH ALL REQUIREMENTS FOR OBTAINING AN EXPORT LICENSE IF APPLICABLE.



DETAIL A
SCALE 2:000



THIS DOCUMENT CONTAINS PROPRIETARY INFORMATION OF GENERAL DIGITAL AND IS NOT TO BE DISCLOSED, REPRODUCED OR PUBLISHED WITHOUT WRITTEN CONSENT FROM GENERAL DIGITAL. THIS DOCUMENT MUST BE RENDERED ILLEGIBLE WHEN BEING DISCARDED. © COPYRIGHT 2015. ALL RIGHTS RESERVED.

UNLESS OTHERWISE SPECIFIED DIMENSIONS ARE IN INCHES
TOLERANCES ARE:
FRACTIONS DECIMALS ANGLES
±1/32 .X ±.050 ±0° 30'
.XX ±.031
.XXX±.020

CONNECTOR CHART

DESIGNATION	FUNCTION	TYPE
CN1	DISPLAY INTERFACE	801-033-07NF10-265A

APPROVALS	DATE
DRAWN FA.	16-Apr-20
CHECKED	
APPROVED	

GD GENERAL DIGITAL
The Innovators of Flat Panel Technology
8 Nutmeg Road South, South Windsor, CT 06074
(860) 282-2900 www.GeneralDigital.com

6.5" STANDALONE MONITOR

REV	DATE	ECN	DESCRIPTION	BY

CAGE CODE	DWG. NO.	REV
B 1JA77	20-04	-

DO NOT SCALE DRAWING