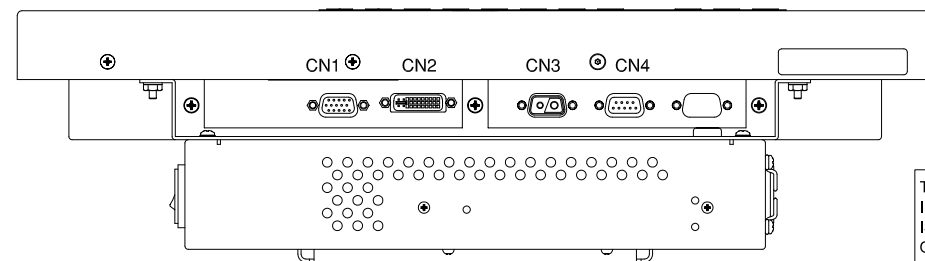
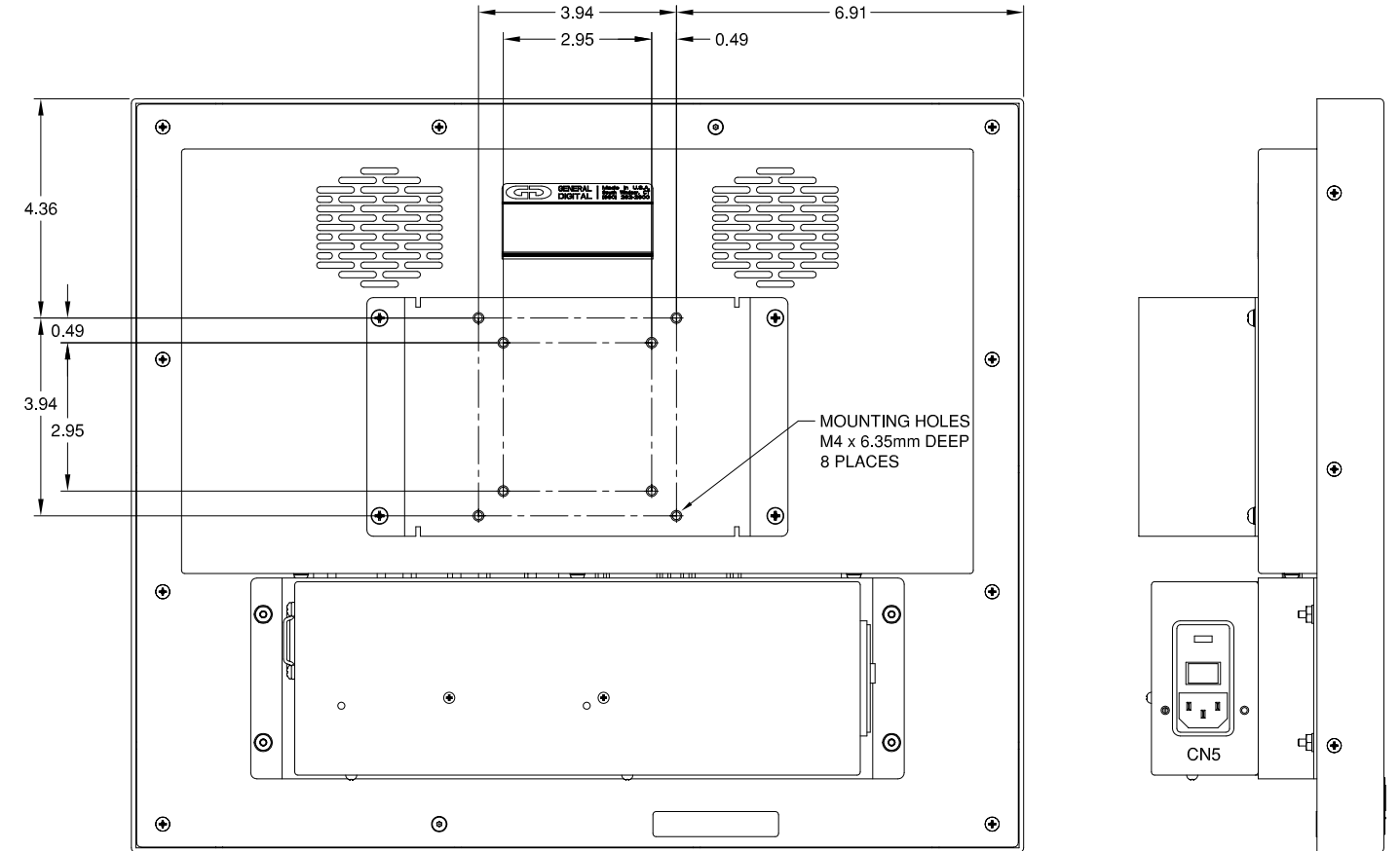
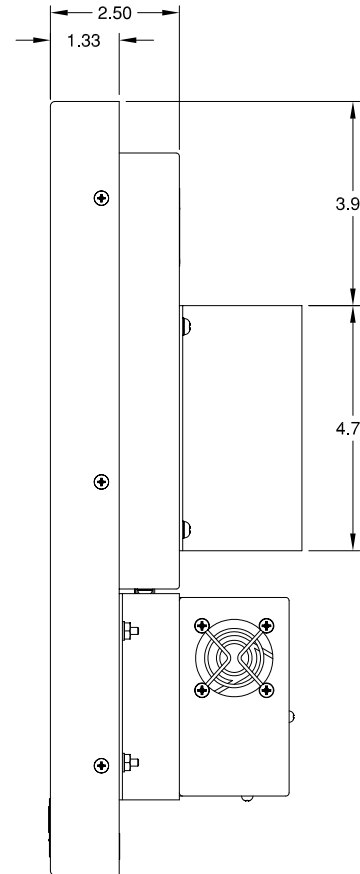
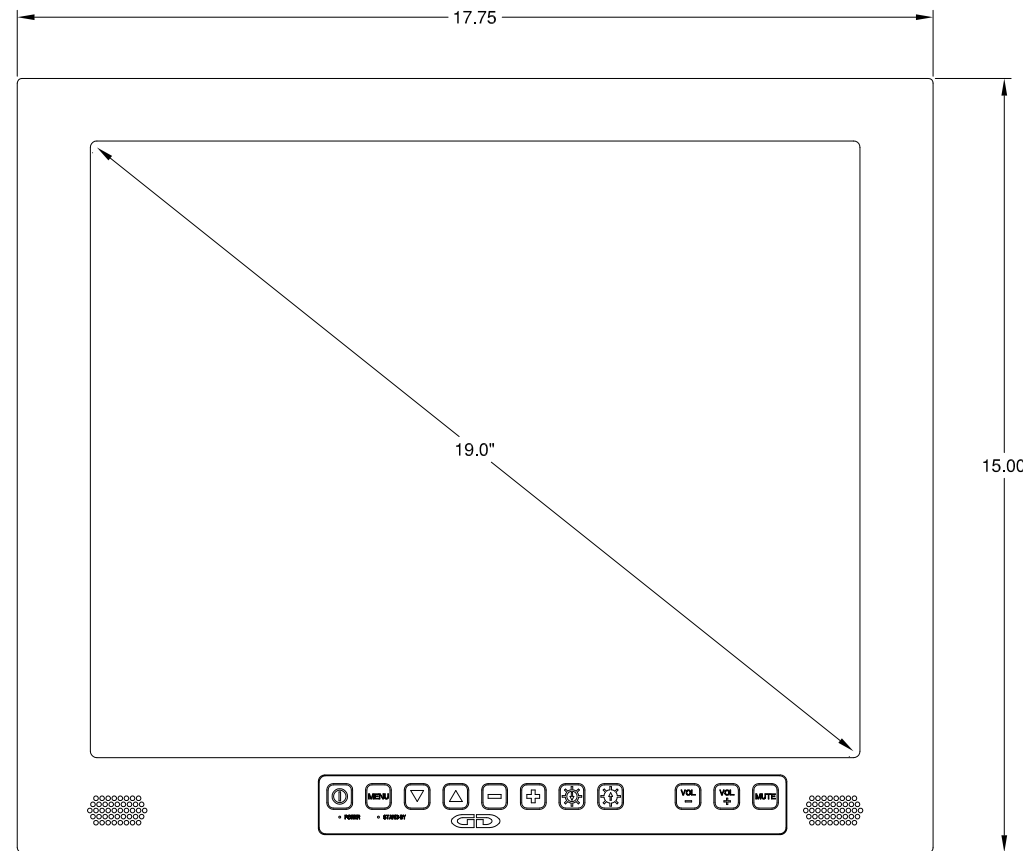
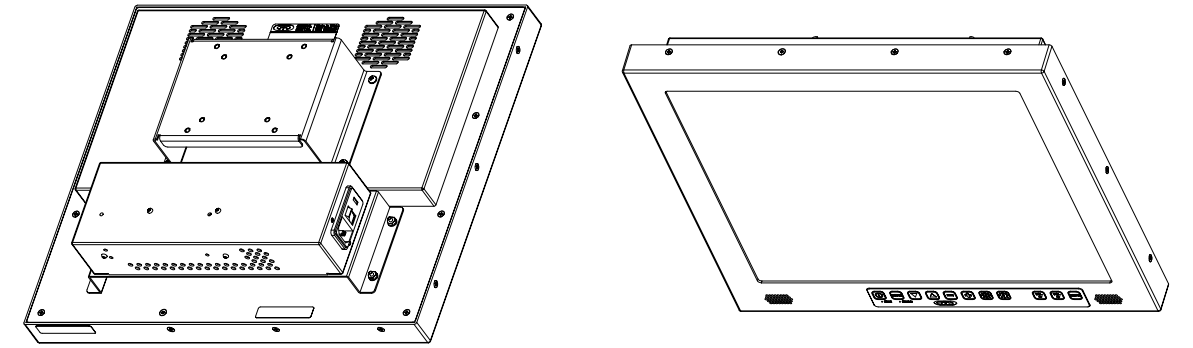
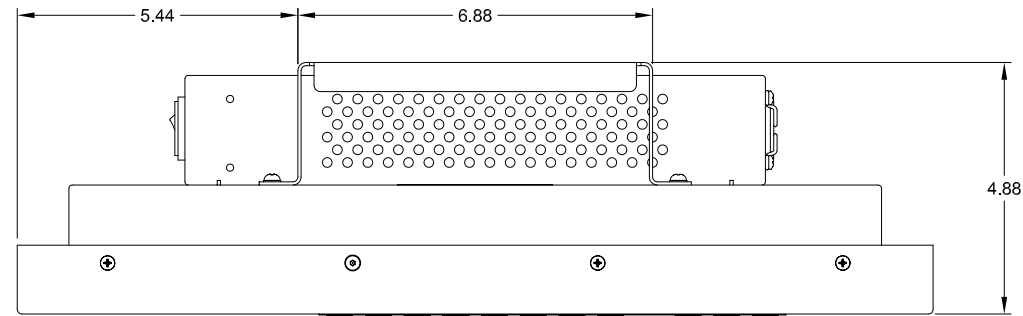


SGD-19W-981-53-00-18-40-EP07 **



** - UNIT SHOWN WITH THE OPTIONAL PEDESTAL MOUNTING BRACKET

THIS DOCUMENT CONTAINS PROPRIETARY INFORMATION OF GENERAL DIGITAL AND IS NOT TO BE DISCLOSED, REPRODUCED OR PUBLISHED WITHOUT WRITTEN CONSENT FROM GENERAL DIGITAL. THIS DOCUMENT MUST BE RENDERED ILLEGIBLE WHEN BEING DISCARDED. © COPYRIGHT 2009. ALL RIGHTS RESERVED.

UNLESS OTHERWISE SPECIFIED DIMENSIONS ARE IN INCHES TOLERANCES ARE:
 FRACTIONS DECIMALS ANGLES
 ±1/32 .X ±.050 ±0° 30'
 .XX ±.031
 .XXX±.020

| CONNECTOR CHART | | |
|-----------------|--------------------|----------|
| DESIGNATION | FUNCTION | TYPE |
| CN1 | ANALOG VIDEO INPUT | DE-15-S |
| CN2 | DVI-D INPUT | DVI-D |
| CN3 | +12 VDC INPUT | DE-2W2-P |
| CN4 | SERIAL INPUT | DE-9-S |
| CN5 | AC INPUT | IEC-320 |

| MECHANICAL OUTLINE ONLY. SPECIFICATIONS SUBJECT TO CHANGE WITHOUT NOTICE. U.O.S. ALL DIMENSIONS ARE IN INCHES. | |
|----------------------------------------------------------------------------------------------------------------|-----------|
| APPROVALS | DATE |
| DRAWN C.P. | 01-Jun-09 |
| CHECKED T.R. | 01-Jun-09 |
| APPROVED B.G. | 01-Jun-09 |
| DO NOT SCALE DRAWING | |



GENERAL DIGITAL
The Innovators of Flat Panel Technology
 8 Nutmeg Road South, South Windsor, CT 06074
 (860) 282-2900 www.GeneralDigital.com

SUNLIGHT READABLE MONITOR
19.0" SXGA FLAT PANEL MONITOR

| REV | DATE | ECN | DESCRIPTION | BY |
|-----|------|-----|-------------|----|
| | | | | |

| | | | |
|----------|-----------|----------|-----|
| B | CAGE CODE | DWG. NO. | REV |
| | 1JA77 | 09-34 | - |