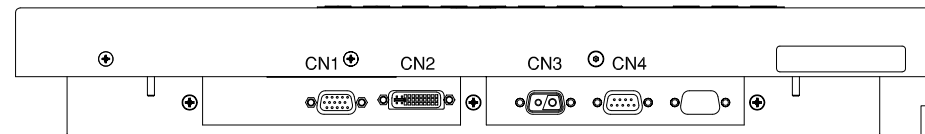
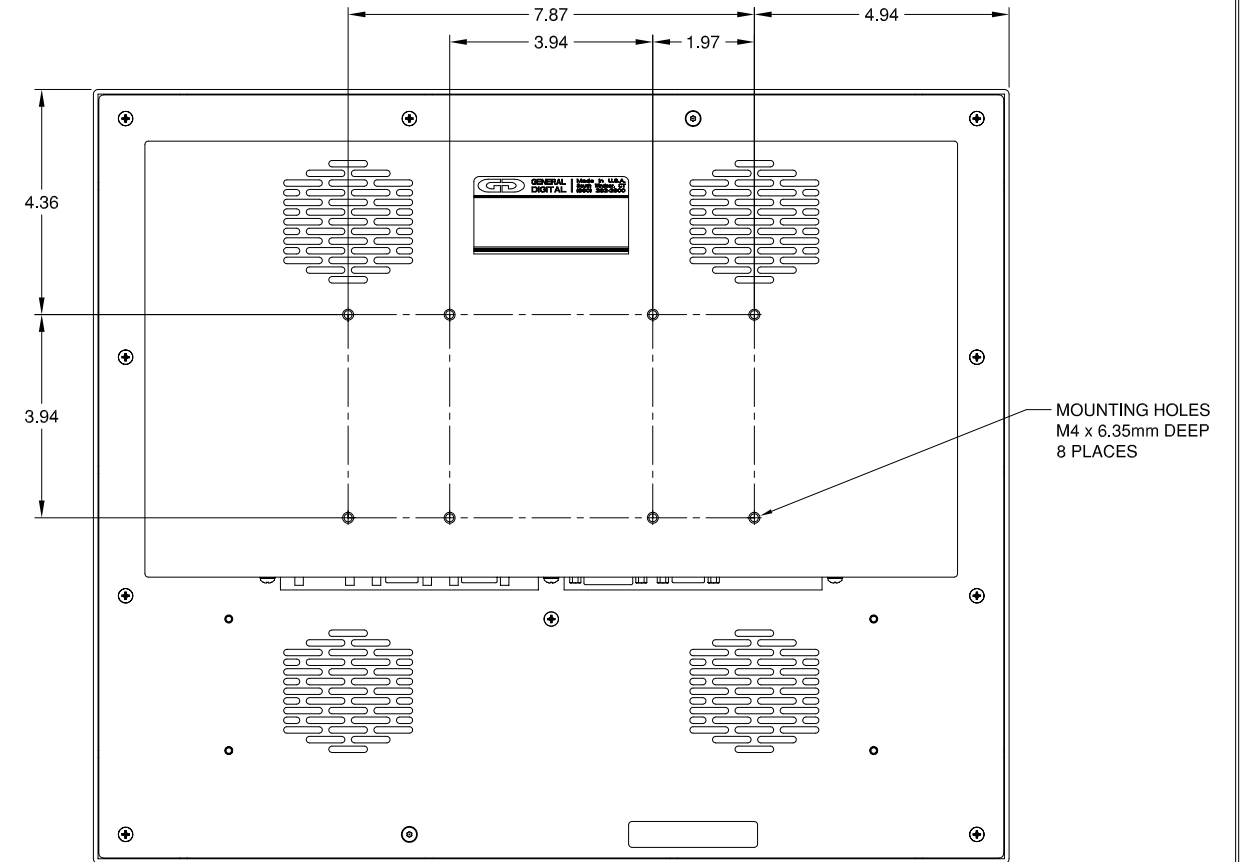
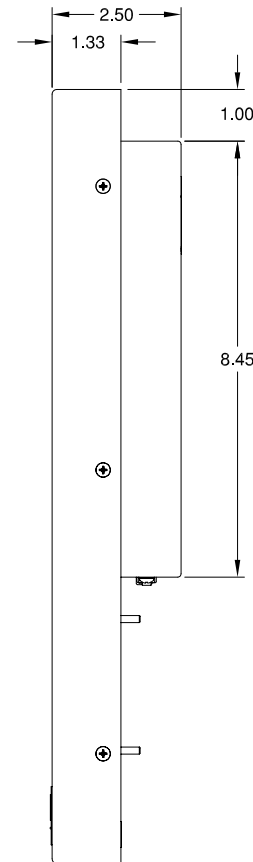
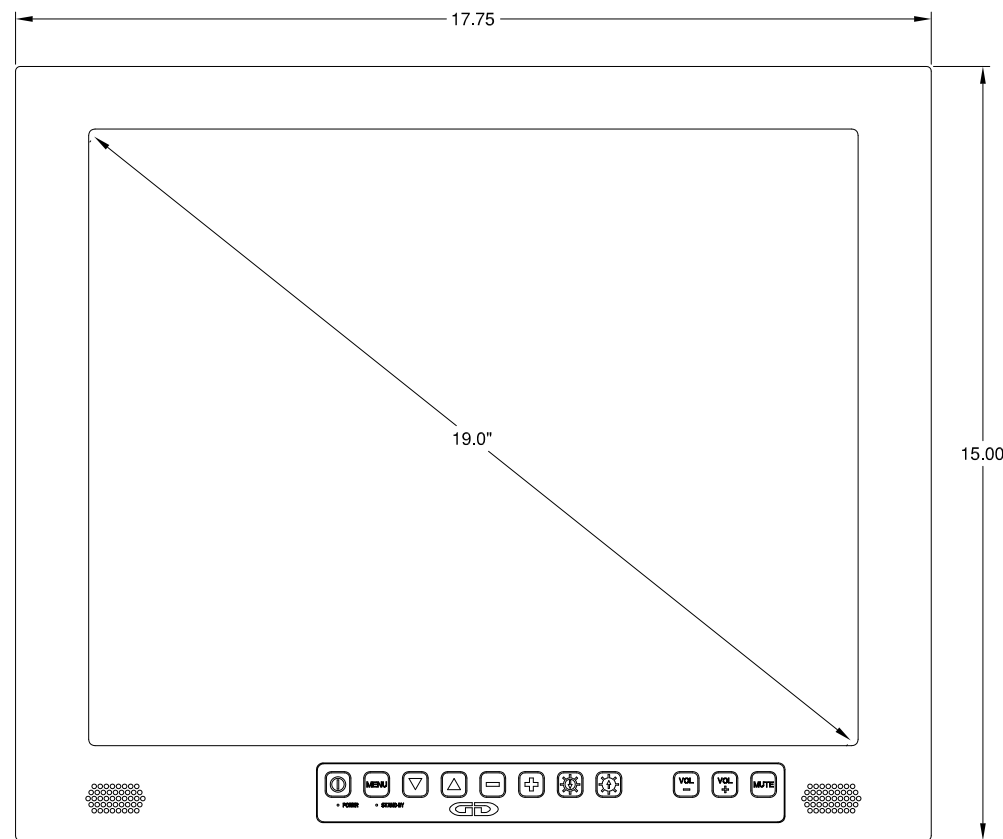
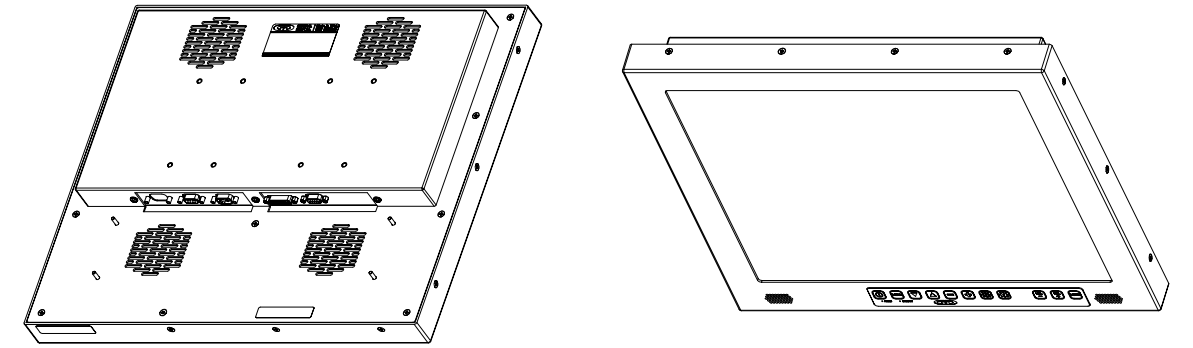
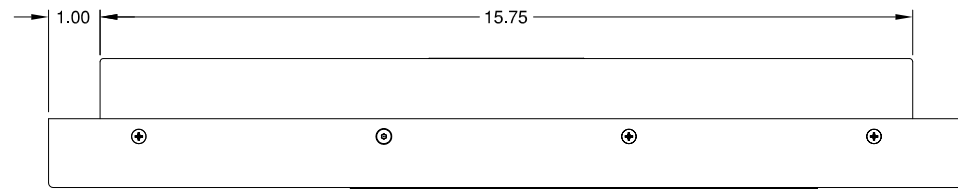


SGD-19W-981-53-00-18-40-0092



THIS DOCUMENT CONTAINS PROPRIETARY INFORMATION OF GENERAL DIGITAL AND IS NOT TO BE DISCLOSED, REPRODUCED OR PUBLISHED WITHOUT WRITTEN CONSENT FROM GENERAL DIGITAL. THIS DOCUMENT MUST BE RENDERED ILLEGIBLE WHEN BEING DISCARDED. © COPYRIGHT 2009. ALL RIGHTS RESERVED.

UNLESS OTHERWISE SPECIFIED DIMENSIONS ARE IN INCHES TOLERANCES ARE:
 FRACTIONS DECIMALS ANGLES
 ±1/32 .X ±.050 ±0° 30'
 .XX ±.031
 .XXX±.020

CONNECTOR CHART

DESIGNATION	FUNCTION	TYPE
CN1	ANALOG VIDEO INPUT	DE-15-S
CN2	DVI-D INPUT	DVI-D
CN3	+12 VDC INPUT	DE-2W2-P
CN4	SERIAL INPUT	DE-9-S

MECHANICAL OUTLINE ONLY. SPECIFICATIONS SUBJECT TO CHANGE WITHOUT NOTICE. U.O.S. ALL DIMENSIONS ARE IN INCHES.

APPROVALS	DATE
DRAWN C.P.	01-Jun-09
CHECKED T.R.	01-Jun-09
APPROVED B.G.	01-Jun-09

DO NOT SCALE DRAWING



GENERAL DIGITAL
 The Innovators of Flat Panel Technology
 8 Nutmeg Road South, South Windsor, CT 06074
 (860) 282-2900 www.GeneralDigital.com

SUNLIGHT READABLE MONITOR
19.0" SXGA FLAT PANEL MONITOR

REV	DATE	ECN	DESCRIPTION	BY

B	CAGE CODE	DWG. NO.	REV
	1JA77	09-32	-