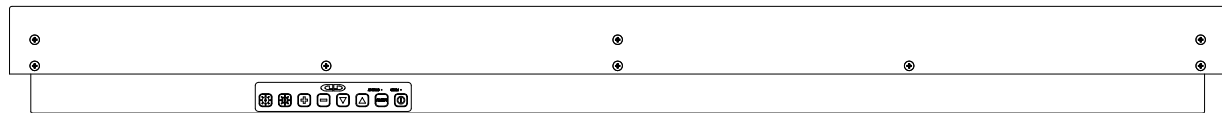
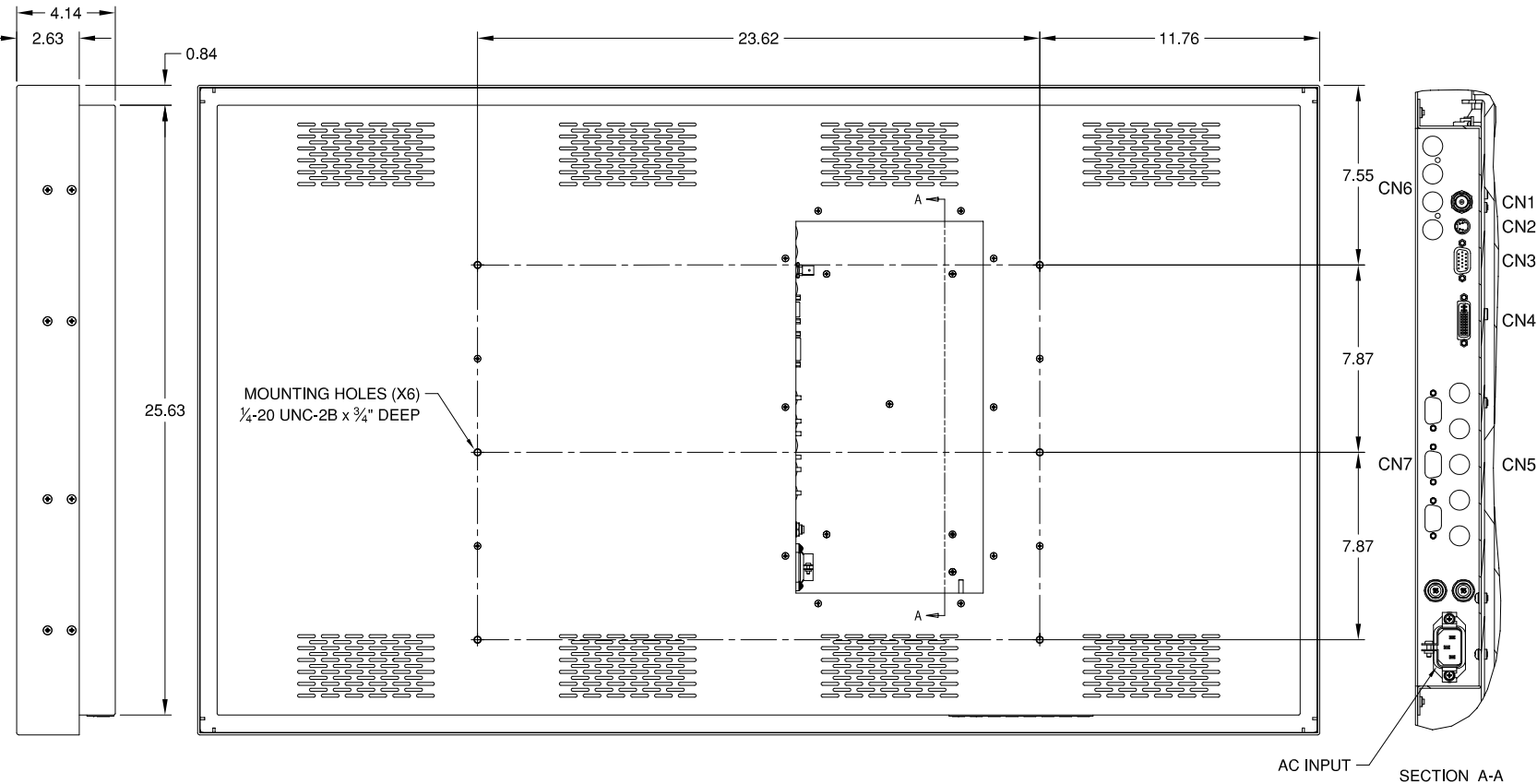
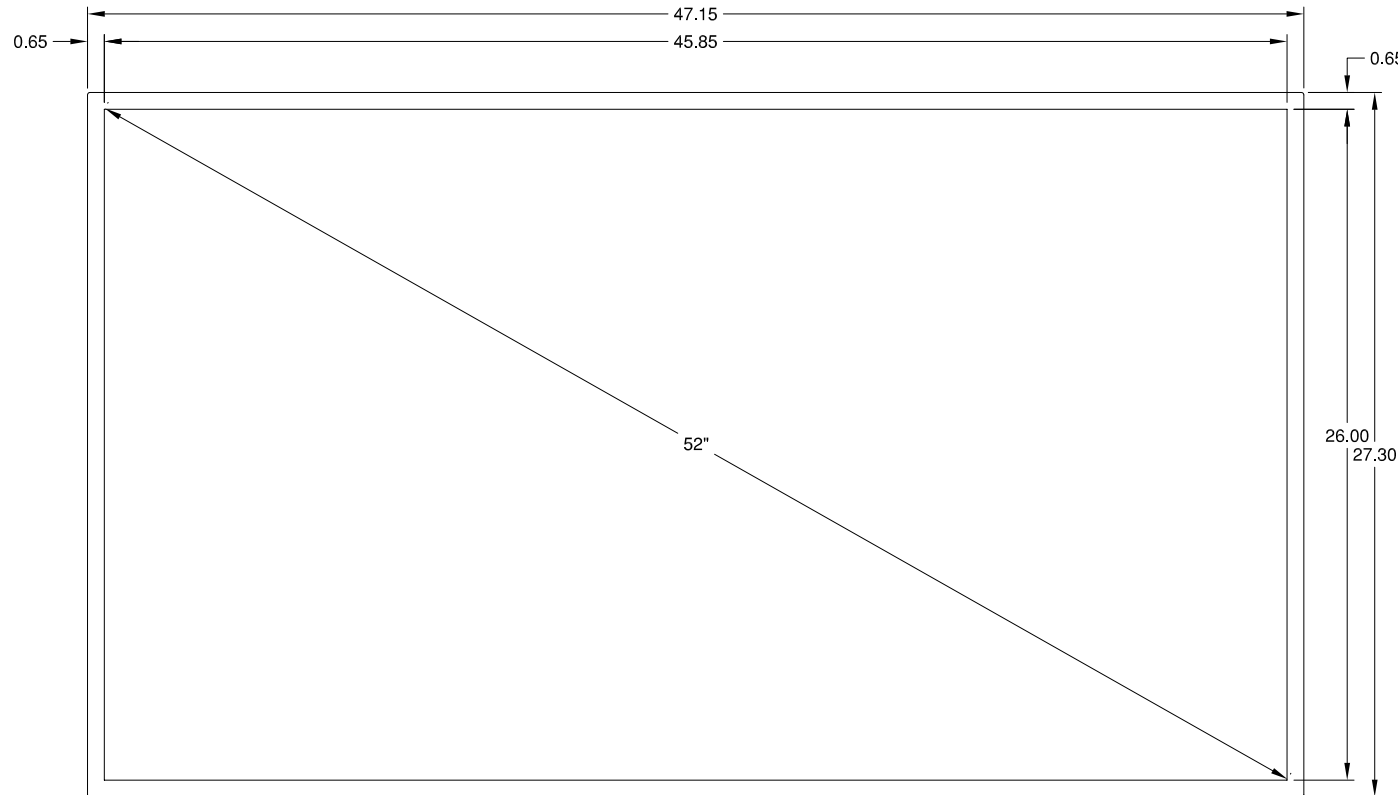
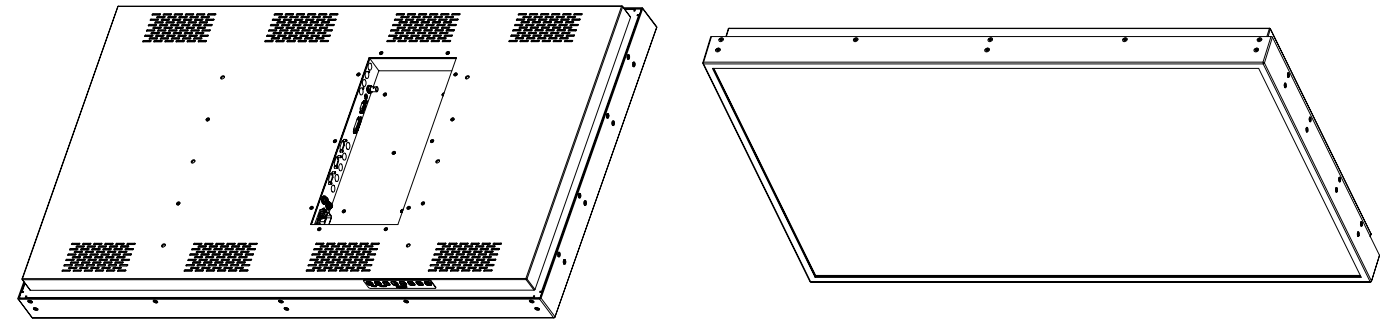
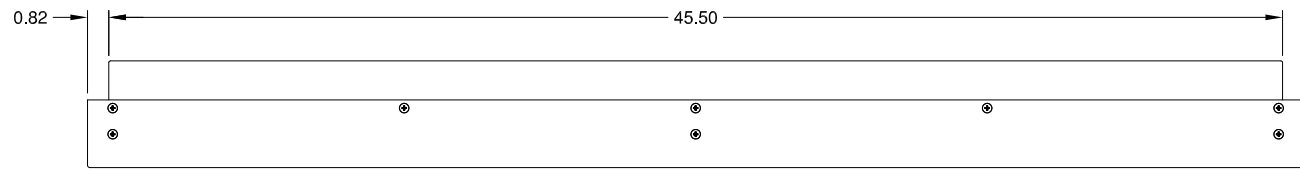


GD-52D-8cc-dd-00-14-00-IP28



THIS DOCUMENT CONTAINS PROPRIETARY INFORMATION OF GENERAL DIGITAL AND IS NOT TO BE DISCLOSED, REPRODUCED OR PUBLISHED WITHOUT WRITTEN CONSENT FROM GENERAL DIGITAL. THIS DOCUMENT MUST BE RENDERED ILLEGIBLE WHEN BEING DISCARDED. © COPYRIGHT 2008. ALL RIGHTS RESERVED.

UNLESS OTHERWISE SPECIFIED DIMENSIONS ARE IN INCHES TOLERANCES ARE:
 FRACTIONS DECIMALS ANGLES
 ±1/32 .X ±.050 ±0° 30'
 .XX ±.031
 .XXX±.020

CONNECTOR CHART		
DESIGNATION	FUNCTION	TYPE
CN1	COMPOSITE VIDEO INPUT	BNC STYLE
CN2	S-VIDEO INPUT	4-PIN MINI DIN
CN3	ANALOG VIDEO INPUT	DE-15-S
CN4	DVI-D INPUT	DVI-D
CN5 *	SECONDARY ANALOG VIDEO INPUT	(5) BNC STYLE
CN6 *	DUAL HD-SDI (IN/OUT)	BNC STYLE
CN7 *	ADDITIONAL CONNECTIONS	DE STYLE

MECHANICAL OUTLINE ONLY. SPECIFICATIONS SUBJECT TO CHANGE WITHOUT NOTICE. U.O.S. ALL DIMENSIONS ARE IN INCHES.	
APPROVALS	DATE
DRAWN C.P.	11-Dec-08
CHECKED T.R.	11-Dec-08
APPROVED B.G.	11-Dec-08
DO NOT SCALE DRAWING	

GD GENERAL DIGITAL
The Innovators of Flat Panel Technology
 8 Nutmeg Road South, South Windsor, CT 06074
 (860) 282-2900 www.GeneralDigital.com

LARGE FORMAT LCD 52" WUXGA FLAT PANEL MONITOR		
REV	DWG. NO.	CAGE CODE
-	08-26	1JA77

REV	DATE	ECN	DESCRIPTION	BY