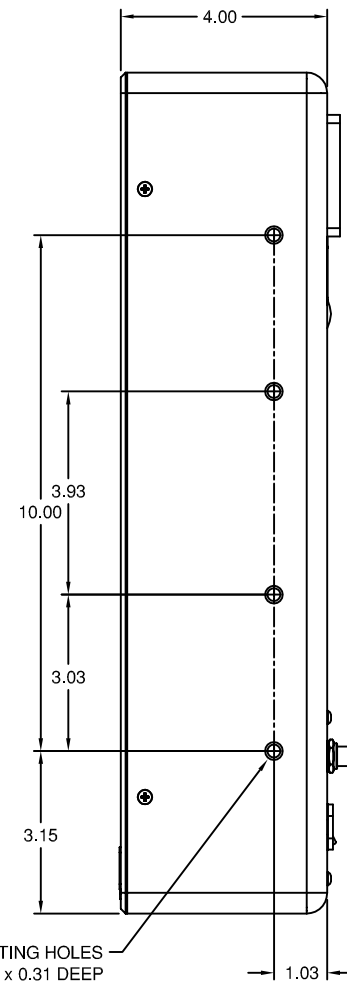
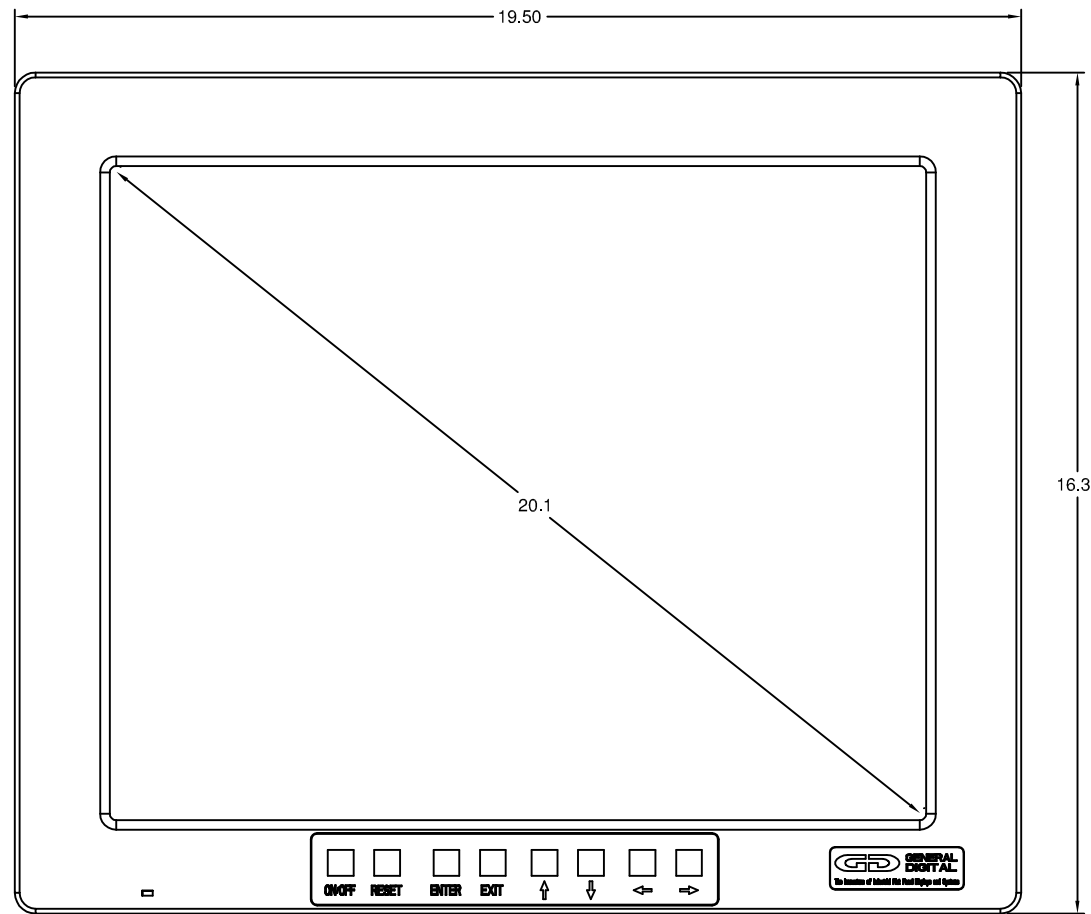
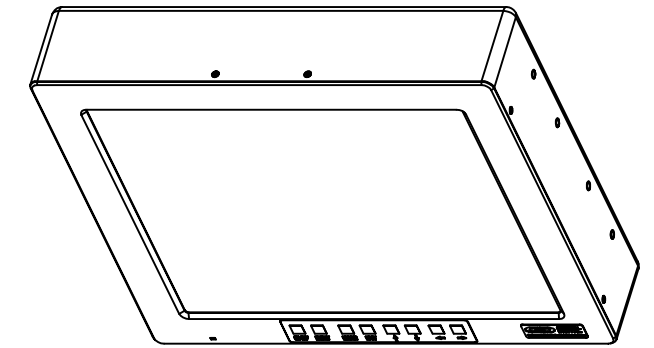
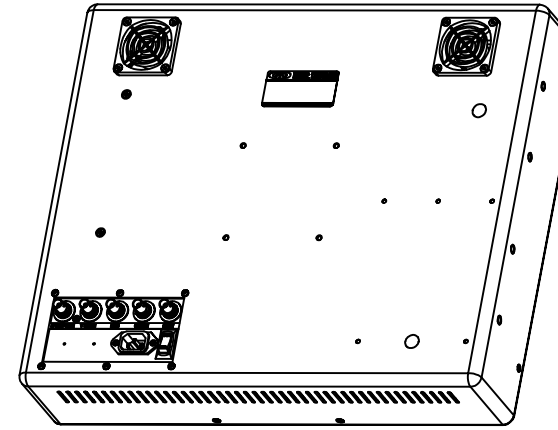
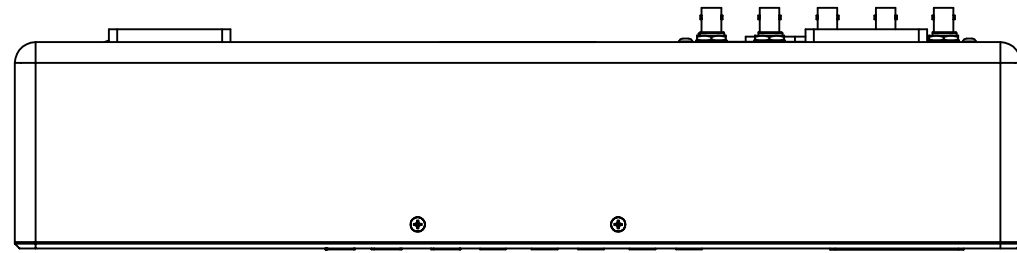
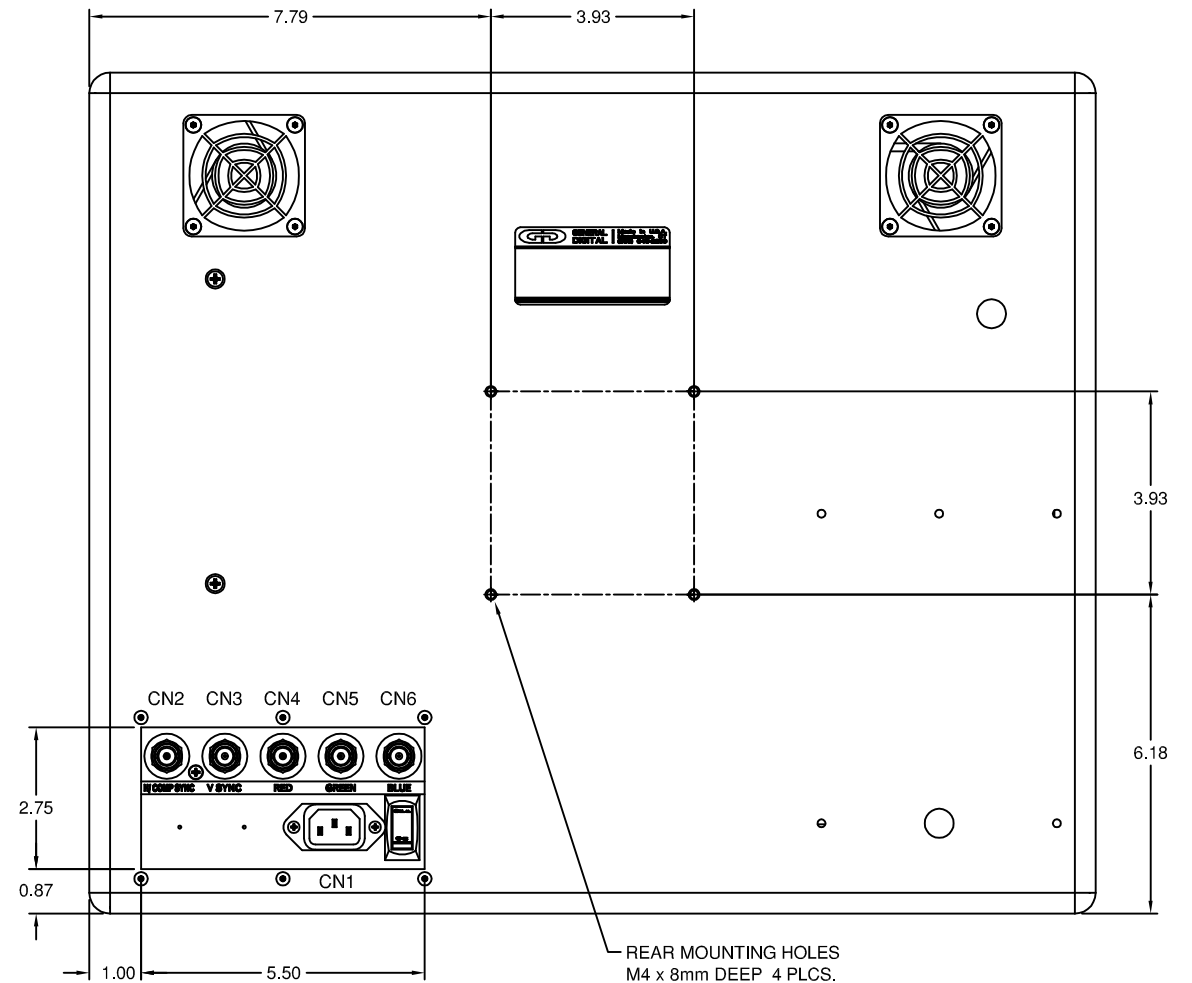


THIS DOCUMENT CONTAINS PROPRIETARY INFORMATION OF GENERAL DIGITAL AND IS NOT TO BE DISCLOSED, REPRODUCED OR PUBLISHED WITHOUT WRITTEN CONSENT FROM GENERAL DIGITAL. THIS DOCUMENT MUST BE RENDERED ILLEGIBLE WHEN BEING DISCARDED. © COPYRIGHT 2002. ALL RIGHTS RESERVED.

# GD-20W-804-29-00-01-01-IA04



SIDE MOUNTING HOLES  
1/4-20 x 0.31 DEEP  
4 PLCS. EACH SIDE



REAR MOUNTING HOLES  
M4 x 8mm DEEP 4 PLCS.

CONNECTOR CHART			MECHANICAL OUTLINE ONLY SPECIFICATIONS SUBJECT TO CHANGE WITHOUT NOTICE	
DESIGNATION	FUNCTION	TYPE	APPROVALS	DATE
CN1	AC INPUT	IEC-320	C.P.	08-Mar-02
CN2 - CN6	VIDEO INPUT	BNC - 75ohm	T.R.	08-Mar-02
			B.G.	08-Mar-02
DO NOT SCALE DRAWING				



*The Innovators of Flat Panel Displays and Systems*  
8 Nutmeg Road South, South Windsor, CT. 06074  
(860) 282-2900  
www.GenDig.com

RGB Industrial  
20.1" SXGA Flat Panel Monitor

B	CAGE CODE	DWG. NO.	REV
	1JA77	02-13	-