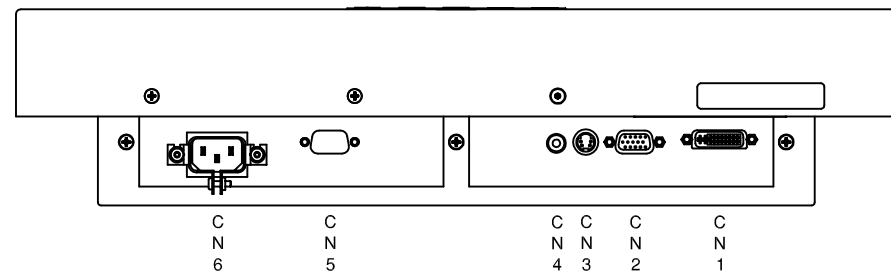
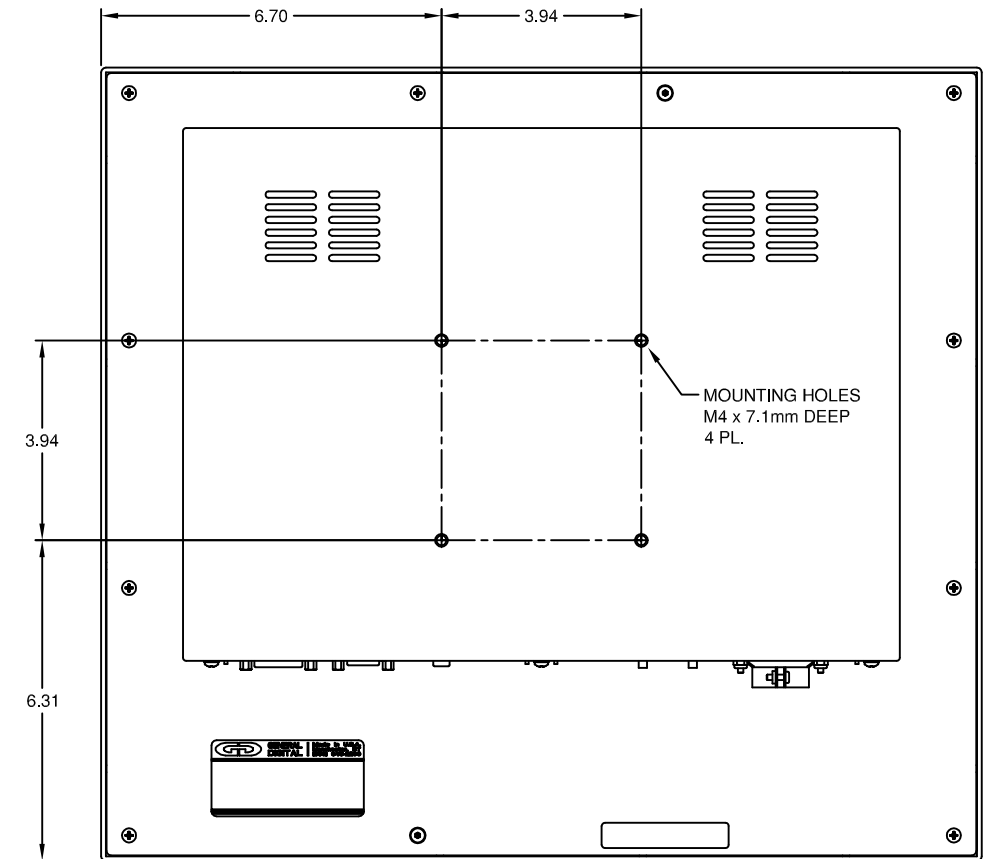
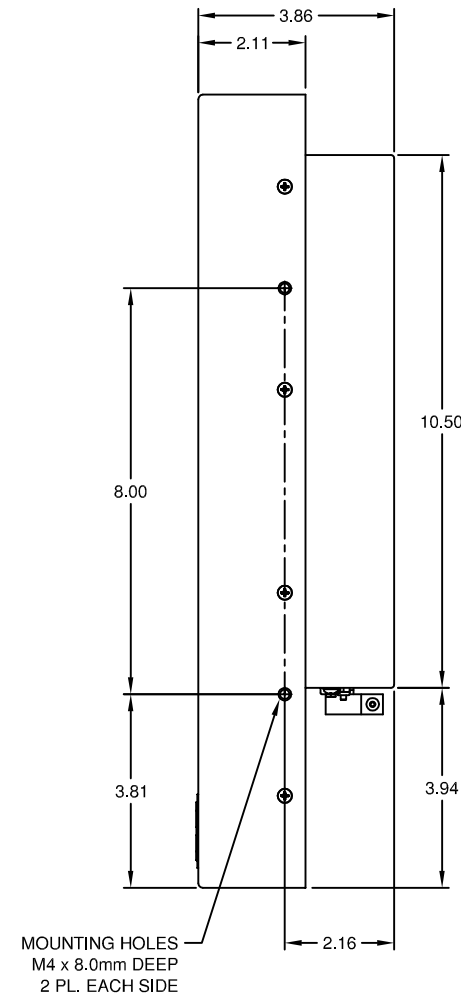
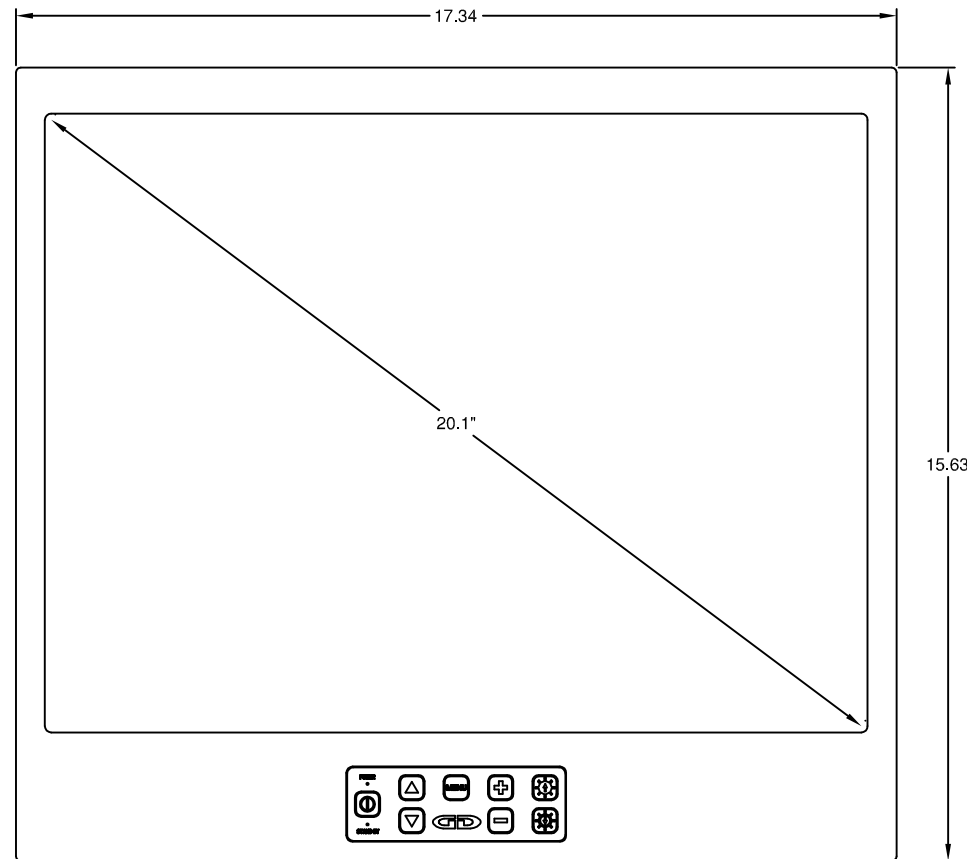
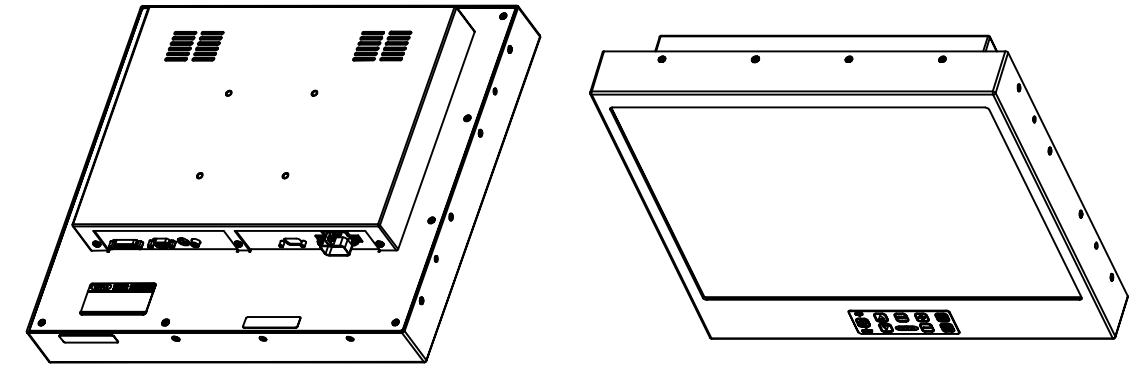
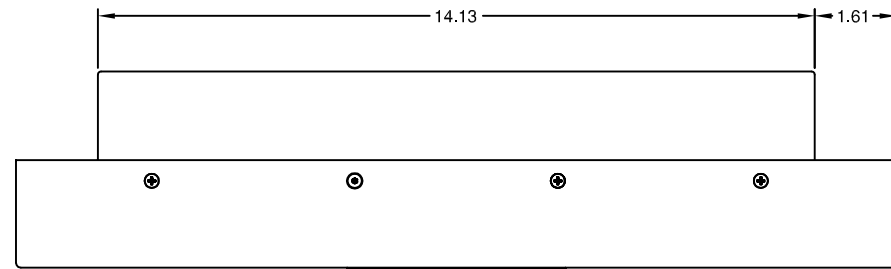


THIS DOCUMENT CONTAINS PROPRIETARY INFORMATION OF GENERAL DIGITAL AND IS NOT TO BE DISCLOSED, REPRODUCED OR PUBLISHED WITHOUT WRITTEN CONSENT FROM GENERAL DIGITAL. THIS DOCUMENT MUST BE RENDERED ILLEGIBLE WHEN BEING DISCARDED. © COPYRIGHT 2005. ALL RIGHTS RESERVED.

DHG-20U-806-17-00-06-02-IP31



CONNECTOR CHART			MECHANICAL OUTLINE ONLY. SPECIFICATIONS SUBJECT TO CHANGE WITHOUT NOTICE. U.O.S. ALL DIMENSIONS ARE IN INCHES.	
DESIGNATION	FUNCTION	TYPE	APPROVALS	DATE
CN1	DVI-D INPUT	DVI-D	C.P.	17-Mar-05
CN2	ANALOG VIDEO INPUT	DE-15-S		
CN3	S-VIDEO INPUT	4-PIN MINI DIN	T.R.	17-Mar-05
CN4	COMPOSITE VIDEO INPUT	RCA STYLE		
CN5	SERIAL INPUT (OPTIONAL)	DE-9-S	B.G.	17-Mar-05
CN6	AC POWER INPUT	IEC-320		

GD GENERAL DIGITAL
The Innovators of Flat Panel Technology
 8 Nutmeg Road South, South Windsor, CT 06074
 (860) 282-2900 www.GeneralDigital.com

RGB INDUSTRIAL MONITOR
20.1" UXGA FLAT PANEL MONITOR

B	CAGE CODE	DWG. NO.	REV
	1JA77	05-12	-

DO NOT SCALE DRAWING