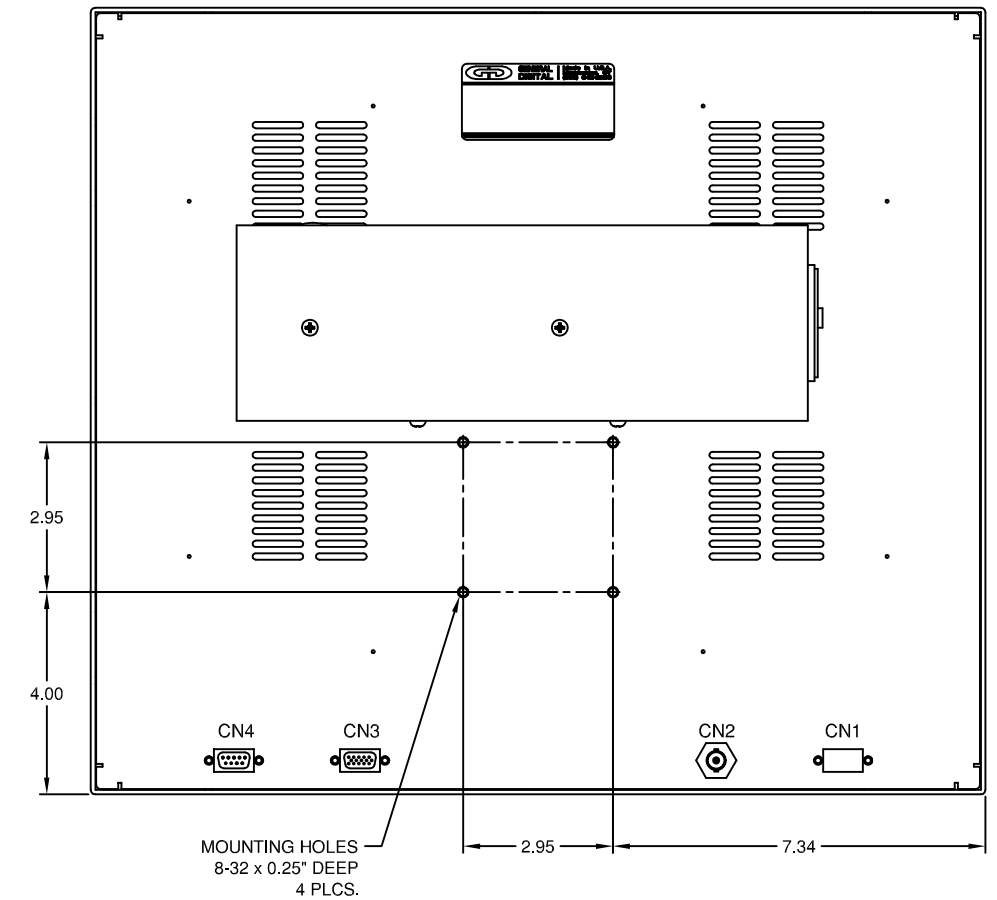
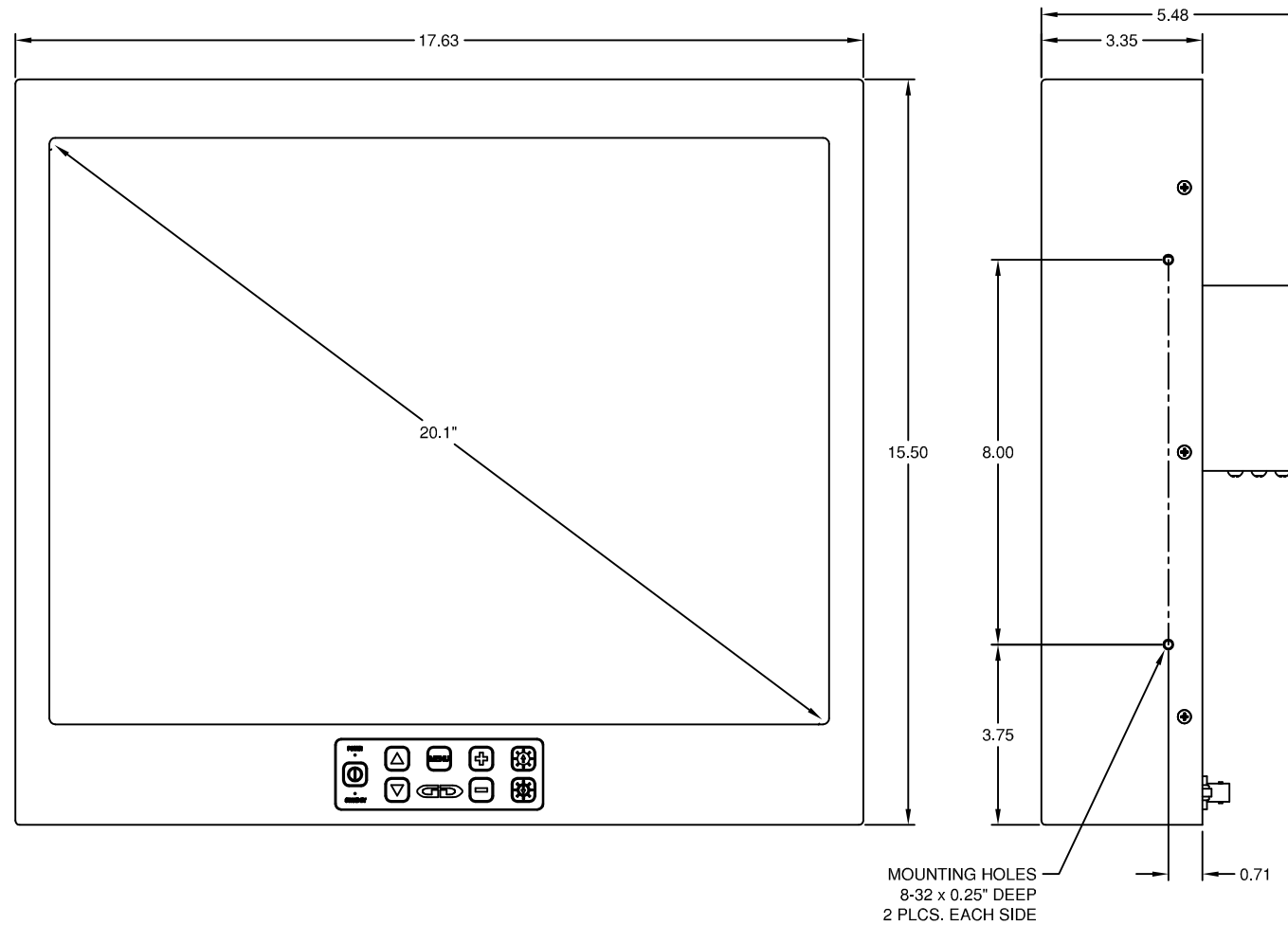
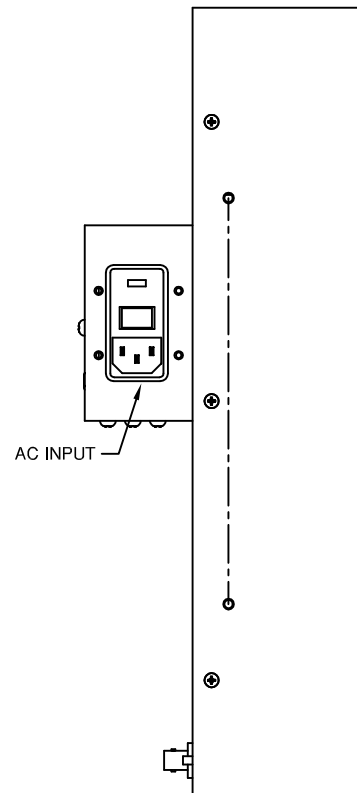
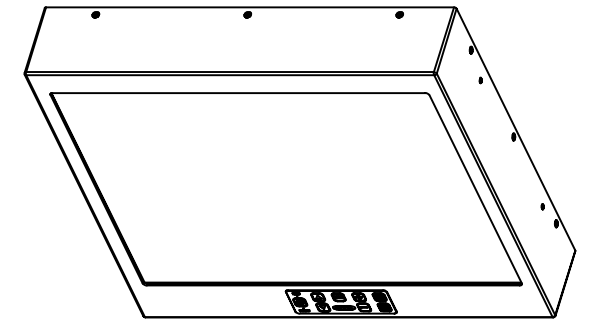
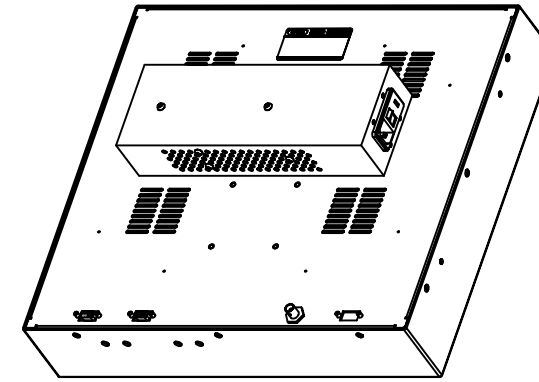
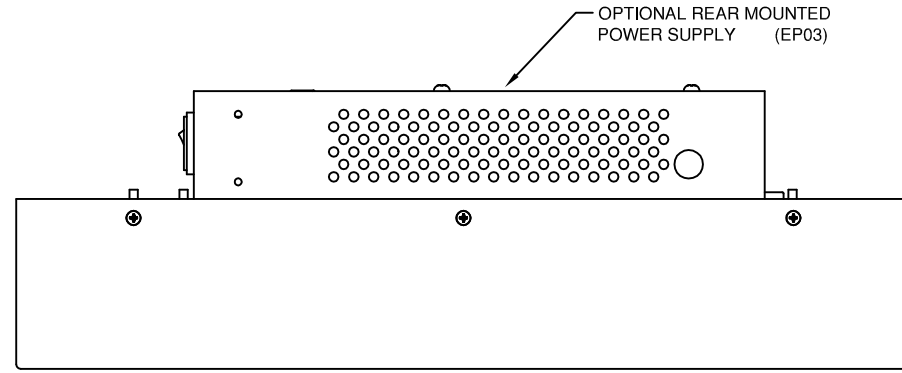


THIS DOCUMENT CONTAINS PROPRIETARY INFORMATION OF GENERAL DIGITAL AND IS NOT TO BE DISCLOSED, REPRODUCED OR PUBLISHED WITHOUT WRITTEN CONSENT FROM GENERAL DIGITAL. THIS DOCUMENT MUST BE RENDERED ILLEGIBLE WHEN BEING DISCARDED. © COPYRIGHT 2005. ALL RIGHTS RESERVED.

CMG-20U-806-dd-00-01-gg-hP03



CONNECTOR CHART			MECHANICAL OUTLINE ONLY. SPECIFICATIONS SUBJECT TO CHANGE WITHOUT NOTICE. U.O.S. ALL DIMENSIONS ARE IN INCHES.	
DESIGNATION	FUNCTION	TYPE	APPROVALS	DATE
CN1	+12 VDC INPUT (OPT)	DE-2W2-P	DRAWN	26-Jan-05
CN2	COMPOSITE VIDEO INPUT (OPT)	BNC STYLE	CHECKED	26-Jan-05
CN3	ANALOG VIDEO INPUT	DE-15-S	APPROVED	26-Jan-05
CN4	SERIAL INPUT (OPT)	DE-9-P		
			DO NOT SCALE DRAWING	

GD GENERAL DIGITAL
The Innovators of Flat Panel Technology
 8 Nutmeg Road South, South Windsor, CT 06074
 (860) 282-2900 www.GeneralDigital.com

INDUSTRIAL MONITOR KIT 20.1" UXGA FLAT PANEL MONITOR

B	CAGE CODE	DWG. NO.	REV
	1JA77	05-05	-